



(USAF) T. O. 12R2-4-6-4  
(NAVWEPS) 16-45-698

**TECHNICAL MANUAL**  
**ILLUSTRATED PARTS BREAKDOWN**

**RADIO SET**

**618S-1**

**AND**

**618S-1A**

(COLLINS)

THESE PAGES FOR INSERTION  
ONLY. THEY DO NOT REPLACE  
EXISTING WHITE PAGES.

**PUBLISHED UNDER AUTHORITY OF THE SECRETARY OF THE AIR FORCE  
AND THE CHIEF OF THE BUREAU OF NAVAL WEAPONS**



Figure 58. Add identification to rear shock mount vibration isolators as shown below:

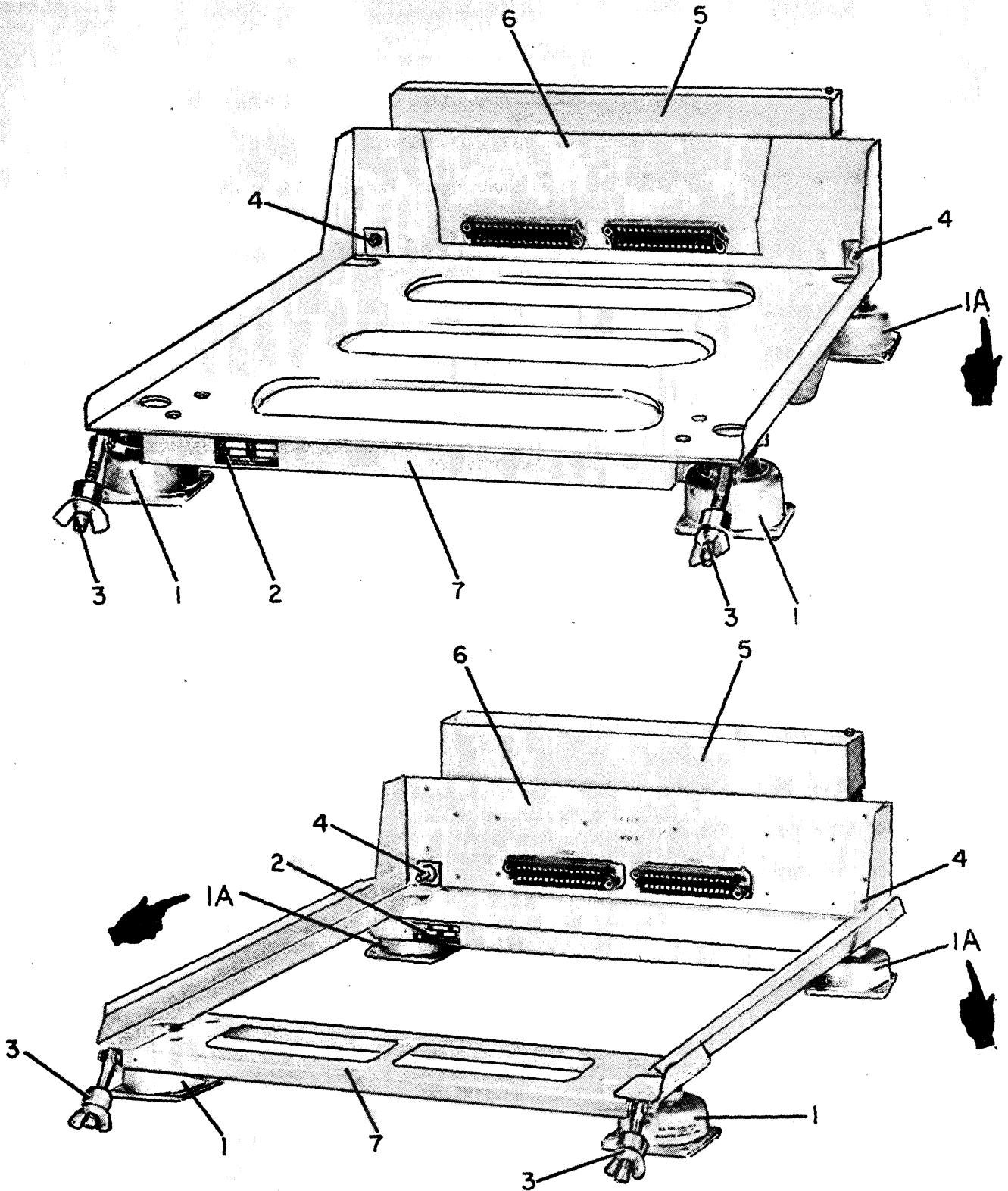


Figure 58. Shockmount 350S-1 and 350S-3 (No MOD, MOD-1 thru MOD-3) (Partial).

Technical Orders are normally distributed promptly after printing. Date(s) shown on the title page (lower right) are for identification only. This is not a distribution date. Processing time sometimes causes distribution to only appear to have been delayed.

## LIST OF EFFECTIVE PAGES

NOTE: INSERT LATEST CHANGED PAGES IN THE BASIC MANUAL FACING THE AFFECTED PAGE.

<i>Page No.</i>	<i>Issue</i>
Title .....	5 Oct 71
A-A .....	5 Oct 71
2-134A .....	5 Oct 71
2-135A .....	5 Oct 71
2-157A ...	10 Apr 70
3-9A .....	10 Apr 70
3-62A .....	10 Apr 70

NOTE: THIS PAGE PROVIDES A CUMULATIVE LISTING OF OUTSTANDING TECHNICAL ORDER PAGE SUPPLEMENT (TOPS) CHANGES APPLICABLE TO THE BASIC MANUAL.

Upon receipt of the second and subsequent changes to this technical order, personnel responsible for maintaining this publication in current status will ascertain that all previous changes have been received and incorporated. Action should be taken promptly if the publication is incomplete.

ADDITIONAL COPIES OF THIS PUBLICATION MAY BE OBTAINED AS FOLLOWS:

USAF

USAF ACTIVITIES. - In accordance with T.O. 00-5-2.

NAVY ACTIVITIES. - Use Publications and Forms Order Blank (NAVAIR 140) and submit in accordance with instruction thereon. For listing of available material and details of distribution see Naval Air Systems Command Publications Index NAVAIR 00-500. Changed 5 October 1971

A-A

Delete all existing data associated to Figure and Index 58-1.

Insert the following:

Fig. & Index No.	Part No.	Description							Units Per Assy
		1	2	3	4	5	6	7	
58-1	L64AA-40	. ISOLATOR, Vibration, Fed Mfg.-----2 Code - 81860 (200-1591-000) Front.							
58-1A	L64AA-20	. ISOLATOR, Vibration, Fed Mfg.----- 2 Code - 81860 (200-1590-000) Rear.							

100AL1-1-11★

(USAF) T. O. 12R2-4-6-4  
(NAVWEPS) 16-45-698

**TECHNICAL MANUAL**  
**ILLUSTRATED PARTS BREAKDOWN**

**RADIO SET**

**618S-1**

**AND**

**618S-1A**

(COLLINS)

Basic And All Changes (Excluding Tops Changes) Have  
Been Merged To Make This A Complete Publication.

**PUBLISHED UNDER AUTHORITY OF THE SECRETARY OF THE AIR FORCE  
AND THE CHIEF OF THE BUREAU OF NAVAL WEAPONS**



T. O. 12R2-4-6-4

Reproduction for nonmilitary use of the information or illustrations contained in this publication is not permitted without specific approval of the issuing service (NASC or USAF). The policy for use of Classified Publications is established for the Air Force in AFR 205-1 and the Navy in Navy Regulations, Article 1509

Technical Orders are normally distributed promptly after printing. Date(s) shown on the title page (lower right) are for identification only. This is not a distribution date. Processing time sometimes causes distribution to only appear to have been delayed.

**INSERT LATEST CHANGED PAGES. DESTROY SUPERSEDED PAGES.**

**LIST OF EFFECTIVE PAGES**

NOTE: The portion of the text affected by the changes is indicated by a vertical line in the outer margins of the page. Changes to illustrations are indicated by miniature pointing hands. Changes to wiring diagrams are indicated by shaded areas.

Dates of issue for original and changed pages are:

Original ... 0 ... 1 Sep 60  
 Change ..... 1 ... 2 Feb 67  
 Change ..... 2 ... 10 Jul 68

**TOTAL NUMBER OF PAGES IN THIS PUBLICATION IS 266 CONSISTING OF THE FOLLOWING:**

<i>Page No.</i>	<i>Change No.</i>	<i>Page No.</i>	<i>Change No.</i>	<i>Page No.</i>	<i>Change No.</i>
*Title .....	2				
*A .....	2				
i-ii.....	0				
1-1 - 1-2 .....	0				
*1-3.....	2				
1-4 - 1-6 .....	0				
*2-1 - 2-3 .....	2				
2-4 - 2-5 .....	0				
*2-6.....	2				
2-7 - 2-37.....	0				
2-38 .....	1				
2-39 - 2-161 .....	0				
2-162 Blank.....	0				
3-1 - 3-66 .....	0				
*3-67 .....	2				
3-68 - 3-76 .....	0				
4-1 - 4-17 .....	0				
4-18 Blank .....	0				

Upon receipt of the second and subsequent changes to this technical order, personnel responsible for maintaining this publication in current status will ascertain that all previous changes have been received and incorporated. Action should be taken promptly if the publication is incomplete.

\* The asterisk indicates pages changed, added, or deleted by the current change.

**ADDITIONAL COPIES OF THIS PUBLICATION MAY BE OBTAINED AS FOLLOWS:**

**USAF**

**USAF ACTIVITIES.** - In accordance with T.O. 00-5-2.

**NAVY ACTIVITIES.** - Use Publications and Forms Order Blank (NAVAIR 140) and submit in accordance with instruction thereon. For listing of available material and details of distribution see Naval Air Systems Command Publications Index NAVAIR 00-500.

A

Change 2

<b>TABLE OF CONTENTS</b>
--------------------------

Section		Page
I	INTRODUCTION . . . . .	1-1
II	GROUP ASSEMBLY PARTS LIST . . . . .	2-1
	Radio Set 618S-1, 618S-1A and Accessories . . . . .	2-1
	Receiver-Transmitter, Front View . . . . .	2-2
	Receiver-Transmitter, Top View . . . . .	2-4
	Receiver-Transmitter, Front View, Less Cover . . . . .	2-7
	Drive Switch (No Mod, Mod-1 thru Mod-3) . . . . .	2-12
	Tuning Drive Assembly (No Mod, Mod-1) . . . . .	2-16
	Meter Panel, Rear View . . . . .	2-18
	Centrifugal Fan . . . . .	2-20
	Sidetone Control . . . . .	2-23
	Crystal Oscillator (No Mod, Mod-1 thru Mod-6) . . . . .	2-24
	Tuning Servo Unit (No Mod, Mod-1 thru Mod-4) . . . . .	2-37
	Relay Assembly (No Mod, Mod-1 thru Mod-3) . . . . .	2-41
	IF Amplifier, Top View (No Mod, Mod-1 thru Mod-6) . . . . .	2-43
	IF Amplifier, Front View (No Mod, Mod-1 thru Mod-6) . . . . .	2-45
	IF Amplifier, Rear View (No Mod, Mod-1 thru Mod-6) . . . . .	2-47
	RF Tuning Unit . . . . .	2-51
	RF Amplifier (No Mod, Mod-1 thru Mod-6) . . . . .	2-53
	RF Amplifier Tube Chassis . . . . .	2-55
	Modulator, Side View (No Mod, Mod-1 thru Mod-6) . . . . .	2-63
	Modulator, Side View (No Mod, Mod-1 thru Mod-6) . . . . .	2-71
	Modulator, Rear View (No Mod, Mod-1 thru Mod-6) . . . . .	2-73
	AF Amplifier (No Mod, Mod-1) . . . . .	2-76
	RF Oscillator (No Mod, Mod-1 thru Mod-3) . . . . .	2-78
	RF Tuner, Bottom View (No Mod, Mod-1 thru Mod-10) . . . . .	2-82
	RF Tube Chassis, Top View (No Mod, Mod-1 thru Mod-10) . . . . .	2-84
	RF Tube Chassis, Bottom View (No Mod, Mod-1 thru Mod-10) . . . . .	2-86
	IF Tube Chassis, Top View (No Mod, Mod-1 thru Mod-10) . . . . .	2-88
	IF Tube Chassis, Bottom View (No Mod, Mod-1 thru Mod-10) . . . . .	2-90
	RF Tuner Coils and Switches (No Mod, Mod-1 thru Mod-10) . . . . .	2-93
	RF Tuning Unit . . . . .	2-99
	RF Tuning Unit . . . . .	2-100
	RF Tuning Unit . . . . .	2-101
	RF Tuning Unit . . . . .	2-102
	RF Tuning Unit . . . . .	2-103
	RF Tuning Unit . . . . .	2-104
	RF Tuning Unit . . . . .	2-105
	RF Tuning Unit . . . . .	2-106
	RF Tuning Unit . . . . .	2-107
	RC Network . . . . .	2-109
	RF Tuning Unit . . . . .	2-111
	RF Tuning Unit . . . . .	2-112
	RF Tuning Unit . . . . .	2-113
	RF Tuning Unit . . . . .	2-114
	RF Tuning Unit . . . . .	2-115
	RF Tuning Unit . . . . .	2-116
	RF Tuning Unit . . . . .	2-117
	RF Tuning Unit . . . . .	2-118
	RF Tuning Unit . . . . .	2-119
	RF Tuning Unit . . . . .	2-120

1-11. NUMERICAL INDEX.

1-12. GENERAL. Section III, Numerical Index, is compiled in accordance with the numerical part number filing system described below:

a. Part number numerical arrangement starts in the left-hand column and continues from left to right, one column at a time, until part number numerical arrangement is determined.

b. The order of precedence beginning on the extreme left-hand (front) position in part number numerical arrangement is as follows:

Letters A through Z

Numerals 0 through 9 (Alphabetical O's are considered as numerical zeros.)

c. The order of precedence in continuing the part number arrangement in the second and succeeding positions of the part number from left to right is as follows:

Space (blank column)

Diagonal (slant)/

Point (period).

Dash (-)

Letters A through Z

Numerals 0 through 9 (Alphabetical O's are considered as numerical zeros.)

1-13. PART NUMBER COLUMN. In this column are listed part numbers, which are the same as drawing numbers, for procurable and nonprocurable parts and assemblies in the Group Assembly Parts List.

1-14. SOURCE CODE COLUMN. In this column is listed the source coding as assigned by the Procuring Department.

1-15. SOURCE CODE DEFINITIONS.

(a) CODE "P" - PARTS UNDER INVENTORY STOCK CONTROL.

(1) CODE "P" is applied to parts which are procured in view of relatively high usage. Code "P" parts may be requisitioned and installed by any maintenance level, unless followed by the letter "O", which restricts requisition and replacement to Depot (O&R) level only. Restricted service manufacture is considered practicable but only after an attempt has been made to procure from Supply Sources. In lieu of Procurement of "P" Coded parts, the Department may designate a Depot (O&R) level activity to manufacture supply requirements for the Program.

(2) CODE "P1" is applied to parts which are very difficult or uneconomical to manufacture. Service manufacture is considered impracticable. Code "P1" parts may be requisitioned and installed by any maintenance level, unless followed by the letter "O", which restricts requisition and replacement to Depot (O&R) level only.

(b) CODE "M" - MANUFACTURE, PARTS NOT PROCURED.

(1) CODE "M" is applied to parts which are within the facilities of any activity to manufacture. Procure-

ment and stocking are not justified in view of the relatively low usage, or storage and installation factors, of these parts. Needs are to be met by local manufacture as required.

(2) CODE "M1" is applied to parts which can be manufactured only by utilizing the facilities of the Depot (O&R) activity. Procurement and stocking of these parts are not justified in view of their relatively low usage and installation factors. The needs of all activities are to be met through salvage, or by Depot (O&R) level manufacture.

(c) CODE "A" - ASSEMBLY NOT PROCURED.

(1) CODE "A" is applied to assemblies made up of two or more parts each of which carry individual part numbers and descriptions, and which may be assembled by any Maintenance level.

(2) CODE "A1" is applied to assemblies made up of two or more parts each of which carry individual part numbers and descriptions, and which may be assembled only by activities having Depot (O&R) facilities.

(d) CODE "X" - PARTS CONSIDERED IMPRACTICABLE FOR MANUFACTURE OR PROCUREMENT.

(1) CODE "X" is applied to Main Structural Members or similar parts which, if required, would suggest extensive equipment reconditioning. The need of a part, or parts, coded "X" normally should result in a recommendation to retire the equipment from service.

(2) CODE "X1" is applied to parts for which procurement of the next larger assembly is justified; e.g., an integral detail part, such as welded segment, inseparable from its assembly; a part machined in a matched set; or a part of an assembly which, if required, would suggest extensive reconditioning of each assembly.

(3) CODE "X2" is applied to parts which are neither procured nor stocked. Activities requiring such parts shall attempt to obtain from salvage; if not obtainable from salvage, such parts shall be requisitioned through normal supply channels with supporting justification.

(e) CODE \* PARTS NOT PROCURED, MANUFACTURED, OR STOCKED.

(1) CODE \* applies to installation drawings, diagrams, instructions or field service drawings, basic drawing numbers which cannot be procured or manufactured, and obsolete parts.

R - Applies to parts which are economical to salvage and economical to repair.

S - Applies to parts which are economical to salvage, if usable, needing only cleaning, sand-blasting, painting, plating, and/or inspection.

N - Applies to parts which are uneconomical, or impracticable to salvage.

1-16. FIGURE AND INDEX NUMBER COLUMN. In this column the digits preceding the dash refer to the figure in the Parts Breakdown on which the parts or



assemblies are illustrated. The digits following the dash are the index numbers or procurable or non-procurable parts or assemblies. For Government and contractor standard parts, the figure and index number shown in the Numerical Index is the figure and index for the first occurrence only of such parts in the Group Assembly Parts List.

1-17. QUANTITY PER ARTICLE COLUMN. In this column is listed the total quantity of parts or assemblies per unit of equipment. Where the total quantity of a part is not the same for the different units of equipment covered by this Parts Breakdown, the largest quantity for any one unit is shown.

1-18. REFERENCE DESIGNATION INDEX.

1-19. GENERAL. The Reference Designation Index, Section IV, lists reference designation symbols which have been established for any parts of the equipment covered.

1-20. REFERENCE DESIGNATION COLUMN. In this column are listed the assigned reference designation symbols, arranged in alphabetical-numerical sequence. The column contains all reference designation symbols shown on schematic diagrams and contained in Operating, Service, Maintenance or Overhaul Handbooks pertaining to the equipment covered by the Illustrated Parts Breakdown.

1-21. FIGURE-INDEX NUMBER COLUMN. This column contains the Group Assembly Parts List figure and index numbers assigned to reference designation items.

1-22. STOCK NUMBER COLUMN. The policy of including and updating stock number information in IPB manuals has been discontinued. Purging of stock numbers will be accomplished on a phased basis as changes are made to IPB pages to add or change other required information. See S-00-1-1, USAF Master Cross-Reference Index for converted part number to stock number information.

1-23. PART NUMBER COLUMN. In this column are listed the part numbers of those parts which have been assigned reference designation symbols.

1-24. Listed below are contracts for Receiver-Transmitter 618S-1 and 618S-1A with their serial numbers:

618S-1	AF33(600)26685	# 401 thru 971
618S-1	AF33(600)29240	#1322 thru 1384
618S-1A	AF33(600)31045	#1385 thru 3550
618S-1A	AF33(600)31894	#4696 thru 5208
618S-1	AF33(600)32978	#5209 thru 5473
618S-1	AF33(600)33900	#5774 thru 6053
618S-1A	AF33(600)36629	#6558 thru 6673
618S-1A	AF33(600)37770	#6889 thru 7068
618S-1A	AF33(600)38251	#7194 thru 7251

## VENDORS' CODE

CODE	VENDORS' NAME AND ADDRESS	CODE	VENDORS' NAME AND ADDRESS
	Couch-Uthe Co. Elyria, Ohio	12080	Chicago Transformer Division of Essex Wire Corp. Chicago, Ill.
	Electro Assembly, Inc. Chicago 25, Illinois	14370	Continental Rubber Works Erie, Pa.
	Harper Mfg. Co. Maumee, Ohio	14655	Cornell Dubilier Electric Corp., South Plainfield, N. J.
	The Morey Corp. Chicago, Ill.	16688	De Jur Amsco Corp. Long Island City, N. Y.
00656	Aerovox Corp. New Bedford, Mass.	21335	Fafnir Bearing Co., The New Britain, Conn.
01009	Alden Products Co. Brockton, Mass.	21520	Fansteel Metallurgical Corp. North Chicago, Ill.
01634	Aluminum Co. of America Pittsburgh, Pa.	21585	Farr Co. Los Angeles, Calif.
03938	Armstrong Cork Co. Lancaster, Pa.	24446	General Electric Co. Schenectady, N. Y.
05690	Barker and Williamson Upper Darby, Pa.	25140	Globe Industries, Inc. Dayton, Ohio
08664	Bristol Co., The Waterbury, Conn.	39652	Meissner Mfg. Division of Maguire Industries, Inc. Chicago, Ill.
09922	Burndy Engineering Co., Inc. New York, N. Y.	42498	National Co., Inc. Malden, Mass.
12014	Chicago Rivet and Machine Co. Bellwood, Ill.		

VENDORS' CODE (Cont)

CODE	VENDORS' NAME AND ADDRESS	CODE	VENDORS' NAME AND ADDRESS
43334	New Departure Division of General Motors Corp. Bristol, Conn.	72136	Electro Motive Mfg. Co. Willimantic, Conn.
45722	Parker Kalon Corp. New York, N. Y.	72354	Fast, John E., and Co. Chicago, Ill.
53021	Sangamo Electric Co. Springfield, Ill.	72794	Dzus Fastener Co., Inc. Babylon, New York
54753	Sickles, F. W., Co. Chicopee, Mass.	72825	Eby, Hugh H., Inc. Philadelphia, Pa.
56289	Sprague Electric Co. North Adams, Mass.	72962	Elastic Stop Nut Corp. of America Union, N. J.
57163	Starrett, L. S. Co., Athol, Mass.	72982	Erie Resistor Corp. Erie, Pa.
61864	United Carr Fastener Corp. Cambridge, Mass.	73426	American Electronics Corp. New York, N. Y.
63743	Ward Leonard Electric Co. Mount Vernon, New York	74048	Meyer Cord Co. Chicago, Ill.
65092	Weston Electrical Instrument Corp. Newark, N. J.	74306	Standard Piezo Co. Carlisle, Pa.
66099	Wincharger Corp. Sioux City, Iowa	74887	Insuline Corp. of America Long Island City, N. Y.
70229	Aladdin Radio Industries, Inc. Chicago, Ill.	74921	Iten Fibre Co., The Ashtabula, Ohio
70371	American Lava Corp. Chattanooga, Tenn.	75173	Jones, Howard B., Division of Cinch Manufacturing Corp. Chicago, Ill.
70479	American Electric Motor Co. Chicago, Ill.	75543	Lavelle Rubber Co. Chicago, Ill.
70485	Atlantic India Rubber Works, Inc. Chicago, Ill.	76854	Oak Mfg. Co. Chicago, Ill.
70703	Automatic Electric Mfg. Co. Mankato, Minn.	77147	Patton MacGuyer Co. Providence, R. I.
71034	Bliley Electric Co., Inc. Erie, Pa.	77250	Pheoll Mfg. Co. Chicago, Ill.
71124	Brand, William, and Co. Willimantic, Conn.	77342	Potter and Brumfield Mfg. Co., Inc. Princeton, Ind.
71279	Cambridge Thermionic Corp. Cambridge, Mass.	77771	Revere Camera Co. Chicago, Ill.
71400	Bussman Mfg. Co. St. Louis, Mo.	77860	Sherman, H. B. Mfg. Co. Battle Creek, Mich.
71450	Chicago Telephone Supply Co. Elkhart, Ind.	78043	Spencer Thermostat Co., Inc. Attleboro, Mass.
71590	Centralab Division of Globe Union, Inc. Milwaukee, Wis.	78189	Shakeproof, Inc., Division of Illinois Tool Works Chicago, Ill.
71785	Cinch Mfg. Corp. Chicago, Ill.		

CODE	VENDORS' NAME AND ADDRESS	CODE	VENDORS' NAME AND ADDRESS
78497	Standard Oil Products Co. Chicago, Ill.	88818	Kearfott Co., Inc. Little Falls, N. J.
78616	Stupakoff Ceramic and Mfg. Co. Latrobe, Pa.	89032	Tinnerman Products, Inc. New York, N. Y.
78784	Torrington Co., Swaging Machine Division Torrington, Conn.	89321	American Electric Motors of Los Angeles, Inc. Los Angeles, Calif.
78947	Ucinite Co. Newtonville, Mass.	89456	Continental Electric Co., Inc. Rockford, Ill.
79136	Waldes Koh-I-Noor, Inc. Long Island City, N. Y.	89709	American Phenolic Corp. New York, N. Y.
79497	Western Rubber Co. Goshen, Ind.	90063	Oster, John, Mfg. Co. of Illinois Genoa, Illinois
79807	Wrought Washer Mfg. Co. Milwaukee, Wis.	90646	Amplex Mfg. Co. Detroit, Mich.
79963	Zierick Mfg. Co. New Rochelle, N. Y.	91314	Lewis Spring and Mfg. Co., Inc. Chicago, Ill.
80089	R B M Mfg. Co. Logansport, Ind.	91577	Cannon Electric Co. East Haven, Conn.
80302	Multi Electrical Mfg. Co. Chicago, Ill.	91637	Dale Products, Inc. Columbus, Nebr.
80375	Croname, Inc. Chicago, Ill.	91738	Groov Pin Corp. Ridgefield, N. J.
81030	International Instruments, Inc. New Haven, Conn.	91836	Kings Electronics Co., Inc. Tuckahoe, N. Y.
81541	Airpax Products Co. Baltimore, Md.	92054	Radio Cores, Inc. Oak Lawn, Ill.
81860	Barry Corp. Cambridge, Mass.	92702	Induction Motors Corp. Woodside, Long Island, N. Y.
82142	Jeffers Electronics Division of Speer Carbon Co. Du Bois, Pa.	92825	Whitso, Inc. Chicago, Ill.
82577	Kurtem Co. Newark, N. J.	93929	GV Controls, Inc. East Orange, New Jersey
83086	New Hampshire Ball Bearings, Inc. Peterborough, N. H.	95265	National Coil Co. Sheridan, Wyo.
83241	Fusite Corp., The Cincinnati, Ohio	95445	RCA Laboratories Division of Radio Corp. of America New York, N. Y.
87034	Marco Industries Co. Anaheim, Calif.	97580	Bell Telephone Laboratories Murray Hill, N. J.
87148	Metal Marker Mfg. Co., The Cleveland, Ohio	97954	U. S. Components, Inc. New York, N. Y.
88063	Communication Accessories Co. Lee's Summit, Mo.	97965	Chicago Standard Transformer Corp. Chicago, Ill.
88245	U. S. Engineering Co. Glendale, Calif.	99800	Delevan Electronics Corp. East Aurora, New York
		99942	Hoffman Semiconductor Div. of Hoffman Electronics Corp. Evanston, Ill.

# HOW TO USE THIS ILLUSTRATED PARTS BREAKDOWN

1-FIND PAGE NO.  
IN TABLE OF  
CONTENTS

2-TURN TO PAGE  
3-FIND PART AND  
ITS INDEX NO.  
4-LOCATE INDEX  
NO. ON PARTS  
LIST

The diagram illustrates the process of finding a part number and its illustration. It consists of three main components:

- Section III Numerical Index:** A table with columns for Class Code of Stock No., Part No., Source Code, Figure and Index No., Qty per Article, Micro Film Index, Class Code or Stock No., and Part No. A circled entry shows '323 1111 00' with a '39-8' next to it.
- Section II Group Assembly Parts List:** A table with columns for Figure and Index No., Part No., and Name & Description. A circled entry shows '39-8' next to '499 2381 00'.
- Figure 39:** A technical drawing of a dynamotor assembly with numbered parts (1-17). A circled '39-8' is placed over the drawing, with lines connecting it to the corresponding part in the parts list.

Arrows and labels indicate the steps: 1-FIND PAGE NO. IN TABLE OF CONTENTS, 2-TURN TO PAGE, 3-FIND PART AND ITS INDEX NO., 4-LOCATE INDEX NO. ON PARTS LIST, 5-FIND PART NO. IN NUMERICAL LIST, 6-TURN TO FIGURE AND INDEX NO., 7-LOCATE PART ON ILLUSTRATION.

HOW TO FIND THE PART NUMBER IF THE SECTION OR SYSTEM OF THE EQUIPMENT IN WHICH THE PART IS USED IS KNOWN:

HOW TO FIND THE ILLUSTRATION FOR A PART IF THE PART NUMBER IS KNOWN:

- (1) Turn to the Table of Contents and find the page number for the Major Assembly or System in which the part is used.
- (2) Turn to the page determined in step (1).
- (3) Locate the part and its index number on the illustration.
- (4) Find the index number on the Group Assembly Parts List page to determine complete description.

- (5) Refer to Section III, the Numerical Index and find the part number.
- (6) Turn to Section II and find the first figure and index number indicated in the Numerical Index for that part. If this figure shows the part in a section or system of the equipment other than the one desired, refer to the other figure numbers listed in the Numerical Index.
- (7) On the face of the illustration, find the index number determined in step (6).

**SECTION II**  
**GROUP ASSEMBLY PARTS LIST**

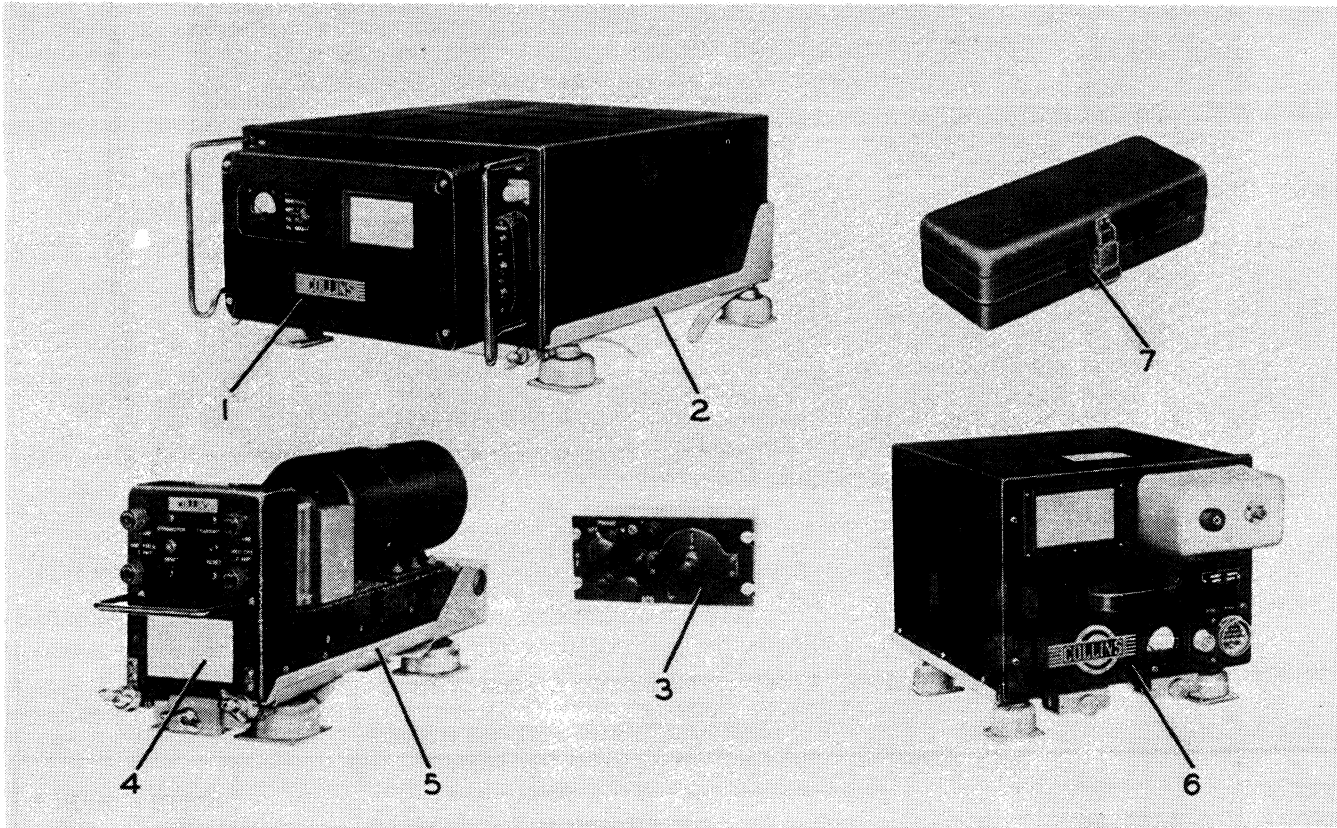


Figure 1. Radio Set 618S-1, 618S-1A and Accessories

FIG. & INDEX NO.	PART NO.	DESCRIPTION							UNITS PER ASSY.	USABLE ON CODE
		1	2	3	4	5	6	7		
1-	NO NUMBER	RADIO SET 618S-1, 618S-1A and ACCESSORIES . . . . .							REF	
-1	522-0060-006	. RECEIVER-TRANSMITTER 618S-1 . . . . .							1	
		(See figures 2 thru 57)								
-1	597-0290-010	. RECEIVER - TRANSMITTER 618S-1A (See Figures . . . . .							Ref	
		2 thru 57).								
-2	522-0059-005	. MOUNTING, 350S-1 (See figures 58 and 59) . . . . .							1	F
-2	522-0184-005	. MOUNTING, 350S-3 (See figures 58 and 59) . . . . .							1	G
-3	522-0147-005	. CONTROL, Radio Set 614C-2 (See figure 60) . . . . .							1	
-4	522-0053-006	. DYNAMOTOR-POWER SUPPLY 416W-1 (See figures . . . . .							1	
		61 thru 63)								
-5	522-0052-004	. MOUNTING, 350T-1 (See figure 64) . . . . .							1	
-6	522-0092-004	. AUTOMATIC ANTENNA TUNER, 180L-3 . . . . .							1	
		(See Illustrated Parts Breakdown T.O. 12R2-4-8-14)								
-7	540-6649-003	. FIELD MAINTENANCE EQUIPMENT CASE . . . . .							1	
		(See figure 65)								

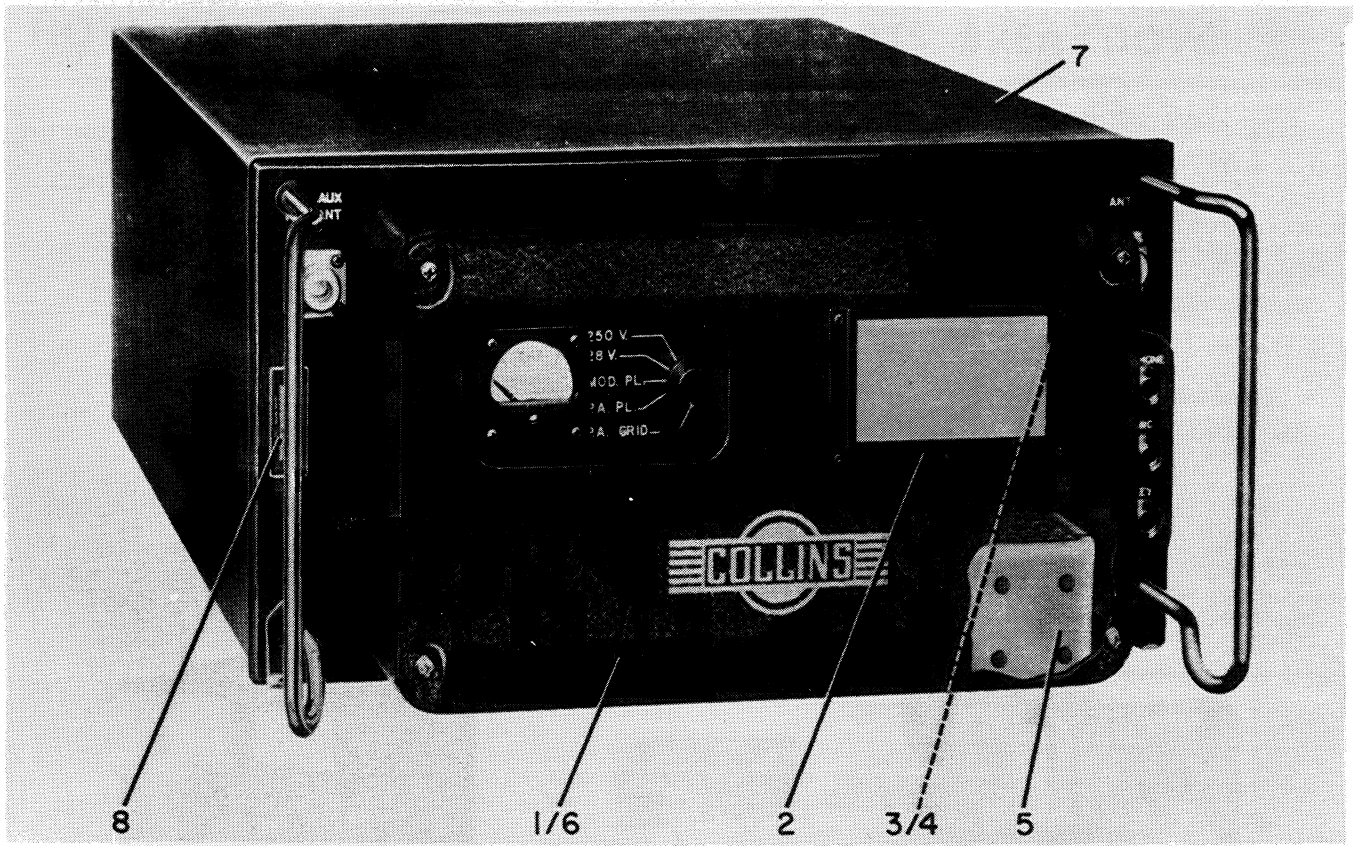


Figure 2. Receiver-Transmitter, Front-View

FIG. & INDEX NO.	PART NC.	DESCRIPTION							UNITS PER ASSY.	USABLE ON CODE
		1	2	3	4	5	6	7		
2-	522-0060-006	RECEIVER-TRANSMITTER 618S-1 . . . . .							REF	
		(See figure 1-1 for next higher ASSY)								
		(Also see figure 3 and 4)								
-1	597-0290-010	RECEIVER - TRANSMITTER 618S-1A (See Figure . . . . .							Ref	
		1-1 for next higher ASSY). (Also see figure 3 and 4).								
-1	506-6095-004	COVER, Front . . . . .							1	
		(ATTACHING PARTS)								
	506-6079-002	SCREW, Captive, cross recessed FIL H, . . . . .							4	
		8-32 X 5/8 IN. LG, STL								
	COML	WASHER, Lock, 0.168 ID, 0.296 OD, 0.040 IN. THK, . . . . .							4	
		BRZ Fed Mfr Code 79807								
		(310-0079-00)								
		-----*								
-2	506-1177-002	HOLDER, Card . . . . .							1	
		(ATTACHING PARTS)								
	AN340B2	NUT, HEX, 2-56, BRS, NI PL . . . . .							5	
		(313-0050-00)								
	AN936A2B	WASHER, Lock, 0.095 ID, 0.185 OD, . . . . .							5	
		0.012 IN. THK, CAD PL								
		(373-3120-00)								

FIG. & INDEX NO.	PART NO.	DESCRIPTION							UNITS PER ASSY.	USABLE ON CODE
		1	2	3	4	5	6	7		
2-	AN500B2-4	.	.	.	SCREW, Machine, cross recessed FIL H, 2-56 X 1/4 IN. LG, BRS, NI PL (347-0839-00)	.	.	.	5	
		-----*-----								
-3	COML	.	.	.	SCREW, Drive, NO. 00 X 1/8 IN. LG, STL Fed Mfr Code 45722 (330-2010-00)	.	.	.	2	
-4	506-1178-002	.	.	.	HOLDER, Spring, card	.	.	.	2	
-5	B-5417	.	.	.	CLEANER, Air Fed Mfr Code 21585 (009-1263-00) (ATTACHING PARTS)	.	.	.	1	
	506-6076-002	.	.	.	MOUNTING, Bracket, air cleaner	.	.	.	1	
	MS35214-18	.	.	.	SCREW, Machine, cross recessed pan HD, 4-40 X 3/4 IN. LG, BRS, NI PL (343-0291-00)	.	.	.	2	
	COML	.	.	.	SCREW, Machine, cross recessed FH, 4-40 X 5/16 IN. LG, BRS, NI PL Fed Mfr Code 77250 (342-0313-00)	.	.	.	2	
	AN936B4B	.	.	.	WASHER, Lock, 0.123 ID, 0.255 OD, 0.016 IN. THK, BRZ (373-7010-00)	.	.	.	2	
-6	506-6098-005	.	.	.	COVER, Front	.	.	.	1	
-7	506-6080-003	.	.	.	COVER, Dust	.	.	.	1	
-8	280-1058-00	.	.	.	PLATE, Identification	.	.	.	1	
-8	545-4087-002	.	.	.	PLATE, Identification (Used effective Receiver- Transmitter, Contract AF 33(600)38251) (ATTACHING PARTS)	.	.	.	1	
	MS35216-2	.	.	.	SCREW, Machine, cross recessed pan HD, 2-56 X 3/16 IN. LG, SST, black NI PL (343-0669-00)	.	.	.	2	
	AN936A2	.	.	.	WASHER, Lock, 0.095 ID, 0.185 OD, 0.012 IN. THK, STL, black parkerized (373-0103-00)	.	.	.	2	
		-----*-----								
3-	522-0060-006	RECEIVER-TRANSMITTER 618S-1 Dust cover and front panel removed (See figure 2 for next higher ASSY) (Also see figure 4)							REF	
3-	597-0290-010	RECEIVER-TRANSMITTER 618S-1A, Dust cover and front panel removed (See figure 2 for next higher ASSY). (Also see Figure 4).							Ref	
-1	506-6495-004	.	.	.	OSCILLATOR, Crystal, RF (See figure 10) (Effective Crystal Oscillator No MOD, MOD-1 thru MOD-6) (ATTACHING PARTS)	.	.	.	1	
	506-6412-002	.	.	.	SCREW, Captive, cross recessed FIL H, 8-32 X 5.500 IN. LG, SST	.	.	.	4	
	COML	.	.	.	WASHER, Lock, 0.168 ID, 0.296 OD, 0.040 IN. THK, SST Fed Mfr Code 78189 (310-0072-00)	.	.	.	4	
	506-6073-002	.	.	.	RING, Retainer, SST	.	.	.	4	
		-----*-----								
-2	506-5777-005	.	.	.	SERVO UNIT, Tuning (See figure 11) (Effective Tuning Servo No MOD, MOD-1 thru MOD-4) (ATTACHING PARTS)	.	.	.	2	
	506-6088-003	.	.	.	SCREW, Captive, cross recessed FIL H, 8-32 X 4-3/16 IN. LG, SST	.	.	.	4	
	COML	.	.	.	WASHER, Lock, 0.168 ID, 0.296 OD, 0.040 IN. THK, SST Fed Mfr Code 78189 (310-0072-00)	.	.	.	4	
	506-6070-002	.	.	.	TUBE, Spacing	.	.	.	4	
	506-6073-002	.	.	.	RING, Retainer, SST	.	.	.	4	
		-----*-----								
-3	506-6625-006	.	.	.	RELAY ASSY (See figure 12) (Effective Relay ASSY No MOD, MOD-1, MOD-2, MOD-3)	.	.	.	1	

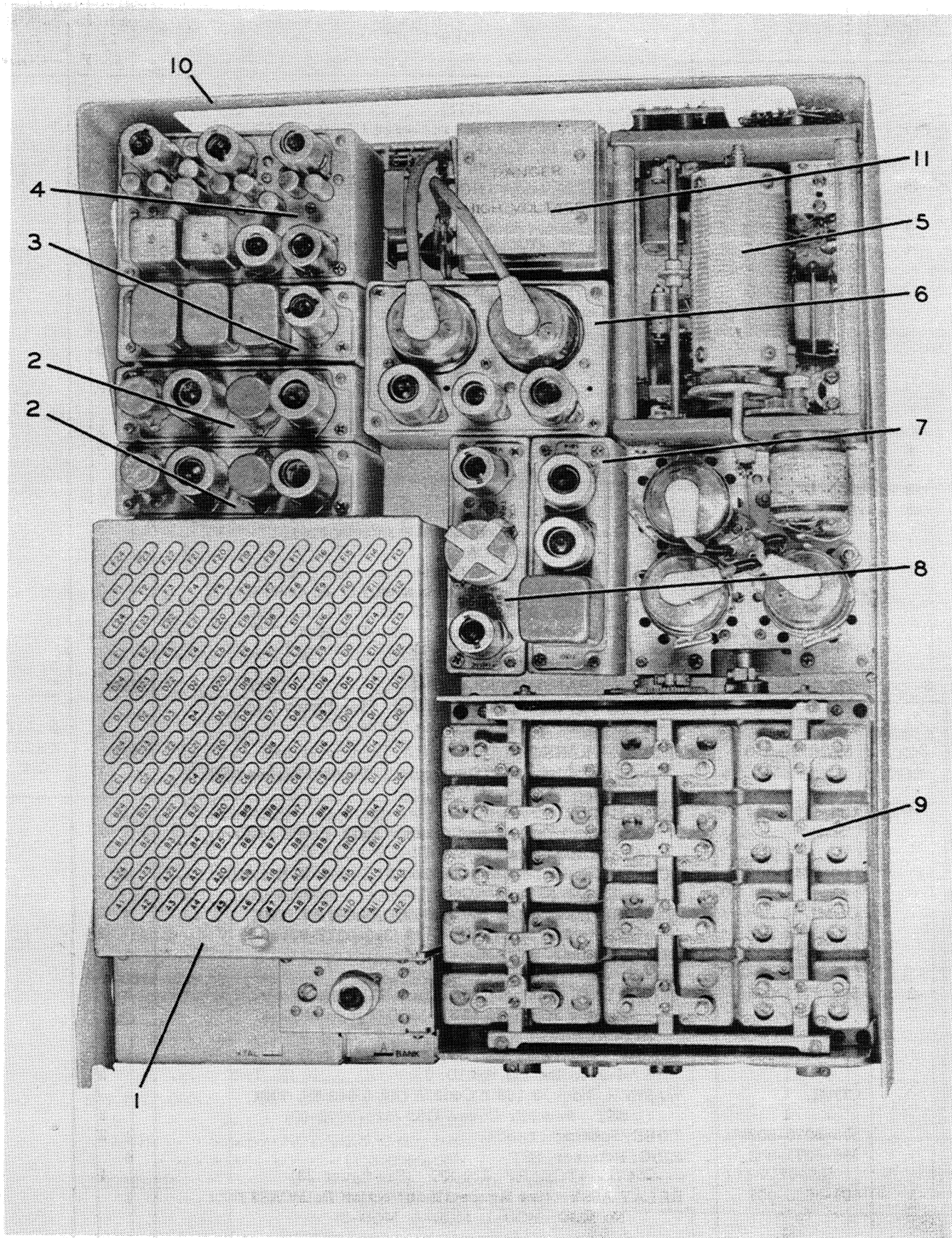


Figure 3. Receiver-Transmitter, Top View



FIG. & INDEX NO.	PART NO.	DESCRIPTION							UNITS PER ASSY.	USABLE ON CODE
		1	2	3	4	5	6	7		
3-		(ATTACHING PARTS)								
	506-6088-003	. SCREW, Captive, cross recessed FIL H, 8-32 X 4-3/16 IN. LG, SST . . . . .							2	
	COML	. WASHER, Lock, 0.168 ID, 0.296 OD, 0.040 IN. THK, SST Fed Mfr Code 78189 (310-0072-00) . . . . .							2	
	506-6070-002	. TUBE, Spacing . . . . .							2	
	506-6073-002	. RING, Retainer, SST . . . . .							2	
		-----*								
-4	506-6919-006	. AMPLIFIER, IF, 250 KC (See figures 13, 14, 15 and 16) (Effective IF Amplifier No MOD, MOD-1 thru MOD-6) . . . . .							1	
		(ATTACHING PARTS)								
	506-6088-003	. SCREW, Captive, cross recessed FIL H, 8-32 X 4-3/16 IN. LG, SST . . . . .							2	
	COML	. WASHER, Lock, 0.168 ID, 0.296 OD, 0.040 IN. THK, SST Fed Mfr Code 78189 (310-0072-00) . . . . .							2	
	506-6070-002	. TUBE, Spacing . . . . .							2	
		506-6073-002 . RING, Retainer, SST . . . . .							2	
		-----*								
-5	506-7450-006	. AMPLIFIER, RF, 2 to 25 MC (See figures 17 and 18) (Effective RF Amplifier No MOD, MOD-1, MOD-2) . . . . .							1	
-5	540-9968-002	. AMPLIFIER, RF, 2 to 25 MC (See figures 17 and 18) (Effective RF Amplifier MOD-3 thru MOD-6) . . . . .							1	
		(ATTACHING PARTS)								
	506-6086-003	. SCREW, Captive, cross recessed FIL H, 8-32 X 2.927 IN. LG, SST . . . . .							3	
	506-7420-002	. SCREW, Captive, cross recessed FIL H, 8-32 X 2.456 IN. LG, SST . . . . .							1	
	COML	. WASHER, Lock, 0.168 ID, 0.296 OD, 0.040 IN. THK, SST Fed Mfr Code 78189 (310-0072-00) . . . . .							4	
		506-7340-002 . POST, Spacing . . . . .							4	
		506-6073-002 . RING, Retainer, SST . . . . .							4	
		-----*								
-6	506-6667-006	. MODULATOR (See figures 19, 20 and 21) (Effective Modulator No MOD, MOD-1 thru MOD-6) . . . . .							1	
		(ATTACHING PARTS)								
	506-6088-003	. SCREW, Captive, cross recessed FIL H, 8-32 X 4-3/16 IN. LG, SST . . . . .							2	
	COML	. WASHER, Lock, 0.168 ID, 0.296 OD, 0.040 IN. THK, SST Fed Mfr Code 78189 (310-0072-00) . . . . .							2	
	506-6070-002	. TUBE, Spacing . . . . .							2	
		506-6073-002 . RING, Retainer, SST . . . . .							2	
		-----*								
-7	506-6106-005	. AMPLIFIER, AF, 500 MW output (See figure 22) (Effective AF Amplifier No MOD, MOD-1) . . . . .							1	
		(ATTACHING PARTS)								
	506-6088-003	. SCREW, Captive, cross recessed FIL H, 8-32 X 4-3/16 IN. LG, SST . . . . .							2	
	COML	. WASHER, Lock, 0.168 ID, 0.296 OD, 0.040 IN. THK, SST Fed Mfr Code 78189 (310-0072-00) . . . . .							2	
	506-6070-002	. TUBE, Spacing . . . . .							2	
		506-6073-002 . RING, Retainer, SST . . . . .							2	
		-----*								
-8	506-6215-004	. OSCILLATOR, RF, 250 KC (See figure 23) (Effective RF Oscillator No MOD, MOD-1 thru MOD-3) . . . . .							1	

Section II  
Group Assembly Parts List

T.O. 12R2-4-6-4

FIG. & INDEX NO.	PART NO.	DESCRIPTION							UNITS PER ASSY.	USABLE ON CODE
		1	2	3	4	5	6	7		
3-	506-6088-003	(ATTACHING PARTS)								
		. SCREW, Captive, cross recessed FIL H, 8-32 X . . . . .							2	
	COML	4-3/16 IN. LG, SST								
	506-6070-002	. WASHER, Lock, 0.168 ID, 0.296 OD, 0.040 IN. THK, . . . . .							2	
	506-6073-002	SST Fed Mfr Code 78189 (310-0072-00)								
	506-6070-002	. TUBE, Spacing . . . . .							2	
	506-6073-002	. RING, Retainer, SST . . . . .							2	
		-----*-----								
-9	506-7041-006	. TUNER, RF (See figures 24 thru 55) (Effective RF . . . . .							1	
		Tuner No MOD, MOD-1 thru MOD-6)								
-9	540-9967-002	. TUNER, RF (See figures 24 thru 55) (Effective RF . . . . .							1	
		Tuner MOD-7 thru MOD-10)								
		(ATTACHING PARTS)								
	506-6087-003	. SCREW, Captive, cross recessed FIL H, 8-32 X . . . . .							4	
		3.608 IN. LG, SST								
	COML	. WASHER, Lock, 0.168 ID, 0.296 OD, 0.040 IN. THK, SST . .							4	
		Fed Mfr Code 78189 (310-0072-00)								
	506-6940-002	. TUBE, Spacing . . . . .							4	
	506-6073-002	. RING, Retainer, SST . . . . .							4	
		-----*-----								
-10	506-6651-005	. CHASSIS, Main cable (See figures 56 and 57) . . . . .							1	
		(Effective Main Chassis No MOD, MOD-1 thru MOD-6)								
-11	506-6643-002	. . PLATE, Resistor, upper . . . . .							1	
		(ATTACHING PARTS)								
	MS35214-12	. . SCREW, Machine, cross recessed pan HD, 4-40 X 1/4 .							4	
		IN. LG, BRS, NI PL (343-0285-00)								
		-----*-----								
4-	522-0060-006	RECEIVER-TRANSMITTER 618S-1 . . . . .							REF	
		Front view less front cover ASSY (See figures 2 and 3 for next higher ASSY)								
4-	597-0290-010	RECEIVER-TRANSMITTER 618S-1A, front view less . . . . .							REF	
		front cover ASSY (See figure 2 and 3 for next higher ASSY.)								
-1	506-7127-005	. DRIVE SWITCH (See figure 5) (Used effective . . . . .							1	
		Drive Switch No MOD and MOD-1)								
-1	540-9966-002	. DRIVE SWITCH (See figure 5) (Used effective . . . . .							1	
		Drive Switch MOD-2, MOD-3)								
		(ATTACHING PARTS)								
	506-7113-002	. SCREW, Captive, cross recessed FIL H, 8-32 X 1-7/8 . .							3	
		IN. LG, STL								
	COML	. WASHER, Lock, 0.168 ID, 0.296 OD, 0.040 IN. THK, SST . .							3	
		Fed Mfr Code 78189 (310-0072-00)								
		-----*-----								
-2	506-6624-005	. DRIVE ASSY, Tuning (See figure 6) (Used effective . . .							1*	
		Tuning Drive No MOD)								
-2	540-9965-002	. DRIVE ASSY, Tuning (See figure 6) (Used effective . . .							1	
		Tuning Drive MOD-1)								
		(ATTACHING PARTS)								
	506-6614-002	. SCREW, Captive, cross recessed drive, 8-32 X . . . . .							3	
		1-1/4 IN. LG, SST								
	COML	. WASHER, Lock, 0.168 ID, 0.296 OD, 0.040 IN. THK, . . .							3	
		SST Fed Mfr Code 78189 (310-0072-00)								
		-----*-----								
-3	024-2900-00	. WRENCH, Socket head screw, splined, 6 flutes, . . . . .							1	
		0.060 IN. major DIA								

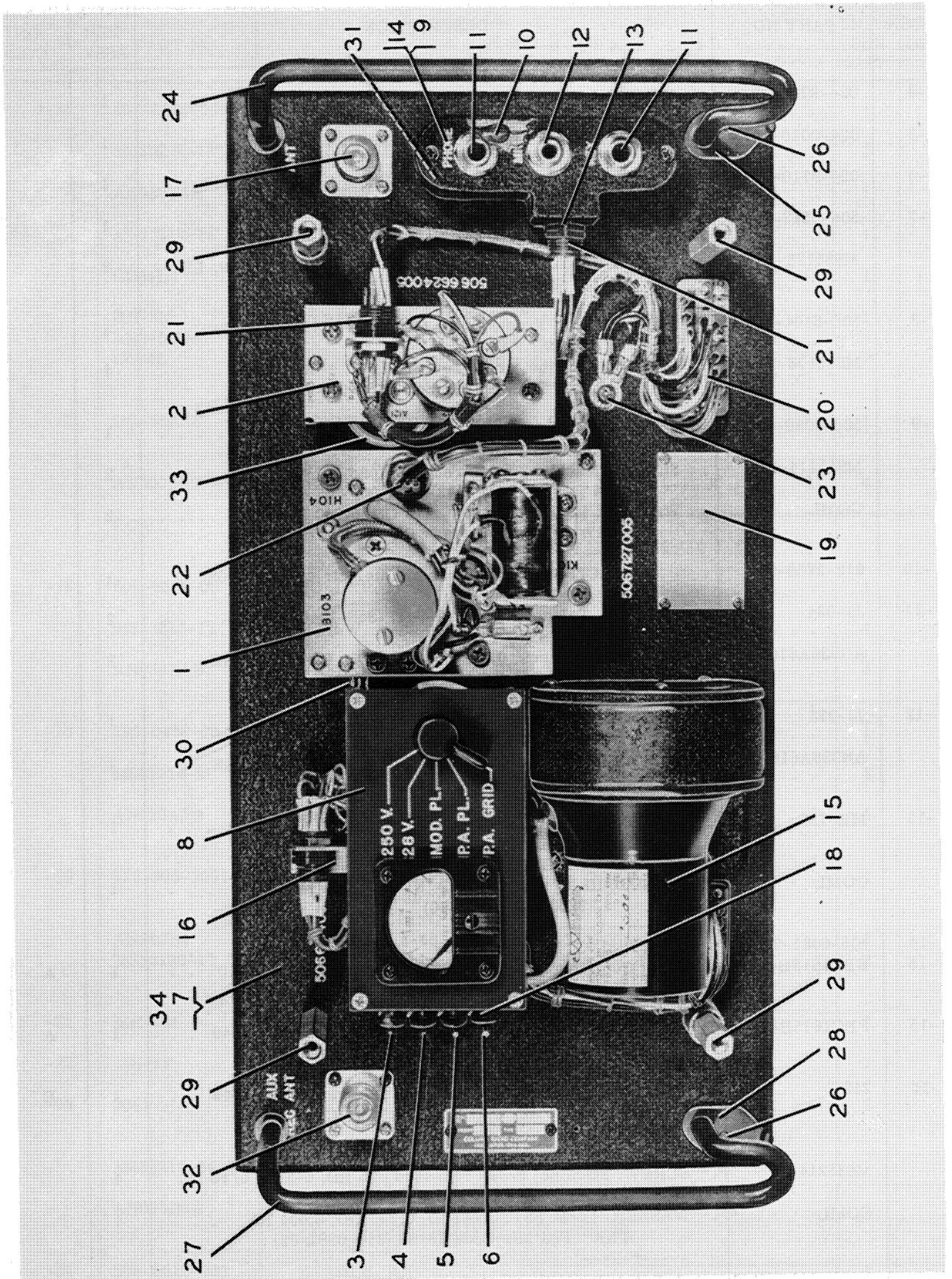


Figure 4. Receiver-Transmitter, Front View, Less Cover

Section II  
Group Assembly Parts List

T.O. 12R2-4-6-4

FIG. & INDEX NO.	PART NO.	DESCRIPTION							UNITS PER ASSY.	USABLE ON CODE
		1	2	3	4	5	6	7		
4-4	024-9730-00	.	WRENCH, Socket head screw, splined, 4 flutes, . . . . .						1	
			0.076 IN. major DIA							
-5	024-0019-00	.	WRENCH, Socket head screw, splined, 6 flutes, . . . . .						1	
			0.094 IN. major DIA							
-6	024-9710-00	.	WRENCH, Socket head screw, splined, 6 flutes, . . . . .						1	
			0.011 IN. DIA							
-7	506-6517-004	.	PANEL ASSY, Front . . . . .						1	
			(ATTACHING PARTS)							
	MS35198-23	.	SCREW, Machine, cross recessed FH, 6-32 X 1/4 IN. LG, .						8	
			BRS, NI PL (342-0166-00)							
			-----*-----							
-8	506-6104-004	.	PANEL ASSY, Front, meter (See figure 7) . . . . .						1	
			(ATTACHING PARTS)							
	MS35198-13	.	SCREW, Machine, cross recessed FH, 4-40 X 5/16 . . . . .						4	
			IN. LG, BRS, NI PL (342-0153-00)							
			-----*-----							
-9	506-6089-004	.	JACK ASSY, Telephone . . . . .						1	
			(ATTACHING PARTS)							
	MS35214-12	.	SCREW, Machine, cross recessed pan HD, 4-40 X . . . . .						2	
			1/4 IN. LG, BRS (343-1894-00)							
	COML	.	WASHER, Lock, 0.115 ID, 0.212 OD, 0.040 IN. THK, . . . . .						2	
			BRZ Fed Mfr Code 78189 (310-0076-00)							
			-----*-----							
-10	913-2750-00	.	CAPACITOR, Fixed, ceramic dielectric, 3300 ±20%, . . . . .						1	
			500 V							
-11	JJ-034	.	JACK, Telephone (JAN-J-641) (358-1040-00) . . . . .						2	
			(ATTACHING PARTS)							
	AN936A616	.	WASHER, Lock, 0.391 ID, 0.507 OD, 0.022 IN. THK, . . . . .						2	
			STL, CAD PL (373-0081-00)							
			-----*-----							
-12	JJ-033	.	JACK, Telephone (JAN-J-641) (358-1050-00) . . . . .						1	
			(ATTACHING PARTS)							
	AN936A616	.	WASHER, Lock, 0.391 ID, 0.507 OD, 0.022 IN. THK, . . . . .						1	
			STL, CAD PL (373-0081-00)							
			-----*-----							
-13	MH-7M	.	CONNECTOR, Receptacle, 7 RD male CONT . . . . .						1	
			Fed Mfr Code 97954 (372-1116-00)							
			(ATTACHING PARTS)							
	COML	.	NUT, HEX, 1/4 -28, BRS, NI PL Fed Mfr Code . . . . .						1	
			77250 (334-0260-00)							
			-----*-----							
-14	506-6081-003	.	HOUSING, Front, for jack . . . . .						1	
-15	FBC1615B-19	.	FAN, Centrifugal, single unit W/ electric motor, 1/40 . . . . .						1	A
			HP, 115 VAC, PREF 1 Fed Mfr Code 92702							
			(009-1361-00) (See figure 8)							
-15	FBC1615B-14	.	FAN, Centrifugal, single unit, W/ electric motor, 1/40 . . . . .						1	A
			HP, 115 VAC, PREF 2 Fed Mfr Code 92702							
			(009-1304-00) (See figure 8)							
-15	219C	.	FAN, Centrifugal, single unit, W/ electric motor, 1/45 . . . . .						1	B
			HP, 115 VAC, PREF 3 Fed Mfr Code 73426							
			(009-1289-00) (See figure 8)							
			(ATTACHING PARTS)							
	MS35214-24	.	SCREW, Machine, cross recessed pan HD, 6-32 X 5/16 IN. . . . .						4	
			LG, BRS, NI PL (343-0329-00)							
	COML	.	WASHER, Lock, SST, 0.141 ID, 0.253 OD, 0.031 IN. . . . .						4	
			THK Fed Mfr Code 78189 (310-0282-00)							
			-----*-----							

FIG. & INDEX NO.	PART NO.	DESCRIPTION	UNITS PER ASSY.	USABLE ON CODE		
					1	2
4-16	506-6519-004	. CABLE, Motor meter (See figure 9) . . . . .	1			
		(ATTACHING PARTS)				
	MS35214-13	. SCREW, Machine, cross recessed pan HD, 4-40 X 5/16 . .	1			
		IN. LG, BRS, NI PL (343-0286-00)				
	AN936B4B	. WASHER, Lock, 0.123 ID, 0.255 OD, 0.016 IN. THK, . . .	1			
		PH BRZ, CAD PL (373-7010-00)				
	MS35214-14	. SCREW, Machine, cross recessed pan HD, 4-40 X 3/8 . .	1			
	IN. LG, BRS, NI PL, (343-0287-00)					
	COML	. WASHER, Flat, SST, 0.125 ID, 0.312 OD, 0.027 IN. . . . .	1			
		THK Fed Mfr Code 78189 (310-0045-00)				
	HP-5N	. CLAMP, Loop Fed Mfr Code 09922 (150-1542-00) . . . . .	1			
	AN340B4	. NUT, HEX, 4-40, BRS, NI PL (313-0051-00) . . . . .	2			
	COML	. SCREW, Machine, cross recessed pan HD, 4-40 X . . . . .	2			
		3/8 IN. LG, SST Fed Mfr Code 77250 (343-0157-00)				
		-----*				
-17	UG-58A/U	. CONNECTOR, Receptacle, 1 RD female CONT . . . . .	1			
		(JAN-C-71) (357-9003-00)				
		(ATTACHING PARTS)				
	AN500B4R-5	. SCREW, Machine, cross recessed FIL H, 4-40 X . . . . .	4			
		5/16 IN. LG, BRS, NI PL (347-0091-00)				
	COML	. WASHER, Lock, 0.125 ID, 0.187 OD, 0.031 IN. THK, . . . . .	4			
		SST Fed Mfr Code 78189 (310-3340-00)				
		-----*				
-18	507-6327-00	. HOLDER, Bristo wrench . . . . .	1			
		(ATTACHING PARTS)				
	MS35214-12	. SCREW, Machine, cross recessed pan HD, 4-40 X . . . . .	4			
	1/4 IN. LG, BRS, NI PL (343-0285-00)					
	AN936B4B	. WASHER, Lock, 0.123 ID, 0.255 OD, 0.016 IN. THK, . . .	4			
		PH BRZ, CAD PL (373-7010-00)				
		-----*				
-19	280-0458-00	. PLATE, Identification, "Patent Notice" . . . . .	1			
		(ATTACHING PARTS)				
	MS35214-2	. SCREW, Machine, cross recessed pan HD, 2-56 X 3/16 . .	4			
	IN. LG, BRS, NI PL (343-0298-00)					
	AN936A2B	. WASHER, Lock, 0.095 ID, 0.185 OD, 0.012 IN. THK, . . . .	4			
		PH BRZ, CAD PL (373-3120-00)				
		-----*				
-20	126-806-1001	. CONNECTOR, Plug, 20 RD male CONT Fed Mfr . . . . .	1			
		Code 89709 (372-1069-00)				
		(ATTACHING PARTS)				
	AN340B4	. NUT, HEX, 4-40, BRS, NI PL (313-0051-00) . . . . .	2			
	MS35198-17	. SCREW, Machine, cross recessed FH, 4-40 X . . . . .	2			
		5/8 IN. LG, BRS, NI PL, (342-0157-00)				
		-----*				
-21	MH-7M	. CONNECTOR, Plug, 7 RD female CONT Fed Mfr. . . . .	2			
		Code 97954 (372-1124-00)				
-22	MH-9F	. CONNECTOR, Plug, 9 RD female CONT Fed Mfr . . . . .	1			
		Code 97954 (372-1125-00)				
-23	2041	. TERMINAL, Lug, solder type, tinned BRS Fed Mfr . . . .	2			
		Code 77147 (304-1300-00)				
		(ATTACHING PARTS)				
	MS35214-24	. SCREW, Machine, cross recessed pan HD, 6-32 X . . . . .	1			
		5/16 IN. LG, BRS, NI PL (343-0329-00)				
	AN936B6B	. WASHER, Lock, 0.150 ID, 0.317 OD, 0.020 IN. THK, . . .	1			
		PH BRZ, CAD PL (373-7020-00)				
		-----*				
-24	506-6513-003	. HANDLE, RH . . . . .	1			

Section II  
Group Assembly Parts List

T.O. 12R2-4-6-4

FIG. & INDEX NO.	PART NO.	DESCRIPTION	UNITS PER ASSY.	USABLE ON CODE		
					1	2
4-		(ATTACHING PARTS)				
	COML	. NUT, HEX, 1/4 -20, SST Fed Mfr Code 77250 . . . . . (313-0082-00)	2			
	AN936B416	. WASHER, Lock, 0.267 ID, 0.506 OD, 0.025 IN. THK, . . . . SST (373-8050-00)	2			
	506-5921-003	. WASHER, Flat, 0.263 ID, 0.500 OD, 0.078 IN. THK, SST . . -----*-----	2			
-25	506-6504-002	. HOOK, Thumb, R . . . . .	1			
-26	506-6511-002	. POST, Thumb hook . . . . .	2			
-27	506-6512-003	. HANDLE, LH . . . . . (ATTACHING PARTS)	1			
	COML	. NUT, HEX, 1/4 -20, SST Fed Mfr Code 77250 . . . . . (313-0082-00)	2			
	AN936B416	. WASHER, Lock, 0.267 ID, 0.506 OD, 0.025 IN. THK, SST . . (373-8050-00)	2			
	506-5921-003	. WASHER, Flat, 0.263 ID, 0.500 OD, 0.078 IN. THK, SST . . -----*-----	1			
-28	506-6505-002	. HOOK, Thumb, L . . . . .	1			
-29	506-6507-002	. POST, Supporting . . . . . (ATTACHING PARTS)	4			
	MS35214-42	. SCREW, Machine, cross recessed pan HD, 8-32 X . . . . . 1/2 IN. LG, BRS, NI PL (343-0311-00)	2			
	MS35198-42	. SCREW, Machine, cross recessed FH, 8-32 X 1/2 IN. . . . LG, BRS, NI PL (342-0186-00)	2			
	AN936B8B	. WASHER, Lock, 0.176 ID, 0.381 OD, 0.020 IN. THK, . . . . PH BRZ (373-7030-00) -----*-----	2			
-30	506-6509-002	. POST, Supporting . . . . . (ATTACHING PARTS)	4			
	MS35214-14	. SCREW, Machine, cross recessed pan HD, 4-40 X . . . . . 3/8 IN. LG, BRS, NI PL (343-0287-00)	4			
	AN936B4B	. WASHER, Lock, 0.123 ID, 0.255 OD, 0.016 IN. THK, . . . . PH BRZ, CAD PL (373-7010-00) -----*-----	4			
-31	506-6510-002	. POST, Supporting . . . . . (ATTACHING PARTS)	2			
	MS35198-14	. SCREW, Machine, cross recessed FH, 4-40 X 3/8 . . . . . IN. LG, BRS, NI PL (342-0154-00)	1			
	MS35214-14	. SCREW, Machine, cross recessed pan HD, 4-40 X . . . . . 3/8 IN. LG, BRS, NI PL (343-0287-00)	1			
	AN936B4B	. WASHER, Lock, 0.123 ID, 0.255 OD, 0.016 IN. THK, . . . . PH BRZ, CAD PL (373-7010-00) -----*-----	1			
-32	UG-58A/U	. CONNECTOR, Receptacle, electrical, 1 RD female . . . . . CONT (JAN-C-71) (357-9003-00) (Used effective Front Panel No MOD)	1			
-32	357-9129-00	. CONNECTOR, Receptacle, electrical, 1 RD female CONT . . (Used effective Front Panel MOD-1) (ATTACHING PARTS)	1			
	AN500B4R-5	. SCREW, Machine, cross recessed FIL H, 2-56 X . . . . . 5/16 IN. LG, BRS, NI PL (347-0105-00)	4			
	COML	. WASHER, Lock, SST, 0.098 ID, 0.152 OD, 0.022 IN. . . . . THK Fed Mfr Code 79807 (310-0034-00) -----*-----	4			
-33	542-4139-002	. WASHER, Nonmetallic, sponge rubber, 1-9/32 ID, . . . . . 1-17/32 OD, 1/8 IN. THK	2			

FIG. & INDEX NO.	PART NO.	DESCRIPTION	UNITS PER ASSY.	USABLE ON CODE		
					1	2
4-34	506-6522-005	. PANEL, Front, welded (Used effective Front Panel . . . . No MOD)	1			
-34	540-9933-005	. PANEL, Mounting (Used effective Front Panel MOD-1) . .	1			
5-	506-7127-005	DRIVE SWITCH (See figure 4-1 for next higher ASSY) . . . . (Used effective Drive Switch No MOD, MOD-1)	REF			
5-	540-9966-002	DRIVE SWITCH (See figure 4-1 for next higher ASSY) . . . . (Used effective Drive Switch MOD-2, MOD-3)	REF			
5-	540-9970-005	. RECEIVER-TRANSMITTER SUBASSEMBLY, Switch . . . . drive (Used effective Drive Switch MOD-2, MOD-3)	1			
-1	506-6618-002	. . CLAMP, To accommodate shaft (Used effective . . . . Drive Switch No MOD, MOD-1)	1			
-2	COML	. . NUT, Square, 4-40 THD, STL, CAD PL Fed Mfr . . . . Code 77250 (334-0485-00)	1			
-3	324-0303-00	. . SCREW, Cap, socket HD, STL, flat FIL H W/ . . . . . multiple spline recess, 4-40 THD, 9/16 IN. LG	1			
-4	COML	. . WASHER, Lock, SST, split helical ring, 0.115 ID, . . . . 0.212 OD, 0.025 IN. THK Harper Mfg. Co. (310-0279-00)	1			
-4.1	504-7537-002	. . CLAMP, To accommodate shaft (Used effective . . . . Drive Switch MOD-2) (ATTACHING PARTS)	1			
-4.2	COML	. . NUT, Square, 4-40 THD, STL, CAD PL . . . . . Fed Mfr Code 77250 (334-0485-00)	1			
-4.3	324-0300-00	. . SCREW, Cap, socket HD, flat FIL H, W/ multiple . . . . spline recess, 4-40 THD, 1/2 IN. LG, STL, CAD PL	1			
-4.4	COML	. . WASHER, Lock, RD, 0.125 ID, 0.187 OD, 0.311 IN. . . . THK Fed Mfr Code 78189 (310-3340-00)	1			
-5	540-7420-002	. . COUPLING, Rigid, split hub (Used effective . . . . . Drive Switch MOD-2)	1			
-6	R41-1966	. . RELAY, Armature, 1 make and 1 break CONT . . . . . arrangement Fed Mfr Code 70703 (410-0109-00) (Used effective Drive Switch No MOD)	1			
-6	R41-1139	. . RELAY, Armature, 1L, 32 VDC at 5 AMP Fed Mfr . . . . Code 70703 (410-0074-00) (Used effective Drive Switch MOD-1) (ATTACHING PARTS)	1			
-7	AN500B4R-4	. . SCREW, Machine, cross recessed FH, 4-40 X 1/4 IN. LG, BRS, NI PL (347-0090-00)	1			
-8	COML	. . WASHER, Lock, 0.125 ID, 0.187 OD, 0.031 IN. THK, . . . SST Fed Mfr Code 78189 (310-3340-00)	1			
-9	MS35214-10	. . SCREW, Machine, cross recessed pan HD, 4-40 X . . . . 1/8 IN. LG, BRS, NI PL (343-0283-00)	4			
-10	AN936B4	. . WASHER, Lock, 0.123 ID, 0.255 OD, 0.016 IN. THK, . . . SST (373-8010-00)	4			
-11	NE-2	. . LAMP, Glow, 1/25 W Fed Mfr Code 89456 . . . . . (262-0025-00)	1			
-12	503-5079-002	. . PAWL, For autopositioner (Used effective Drive . . . . Switch No MOD, MOD-1, MOD-2)	1			

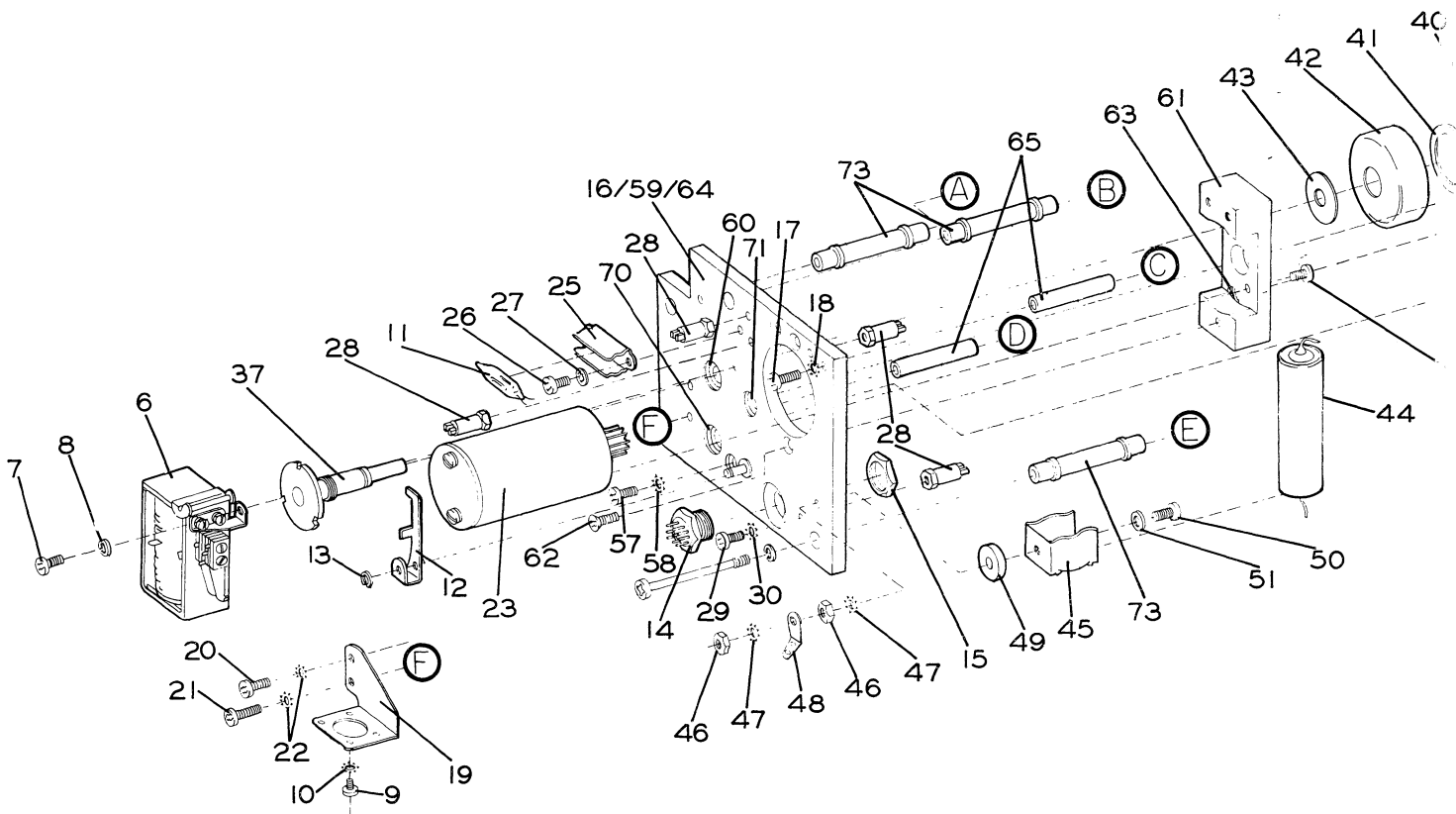


Figure 5. Drive Switch (No MOD, Mod-1 Thru Mod-3)



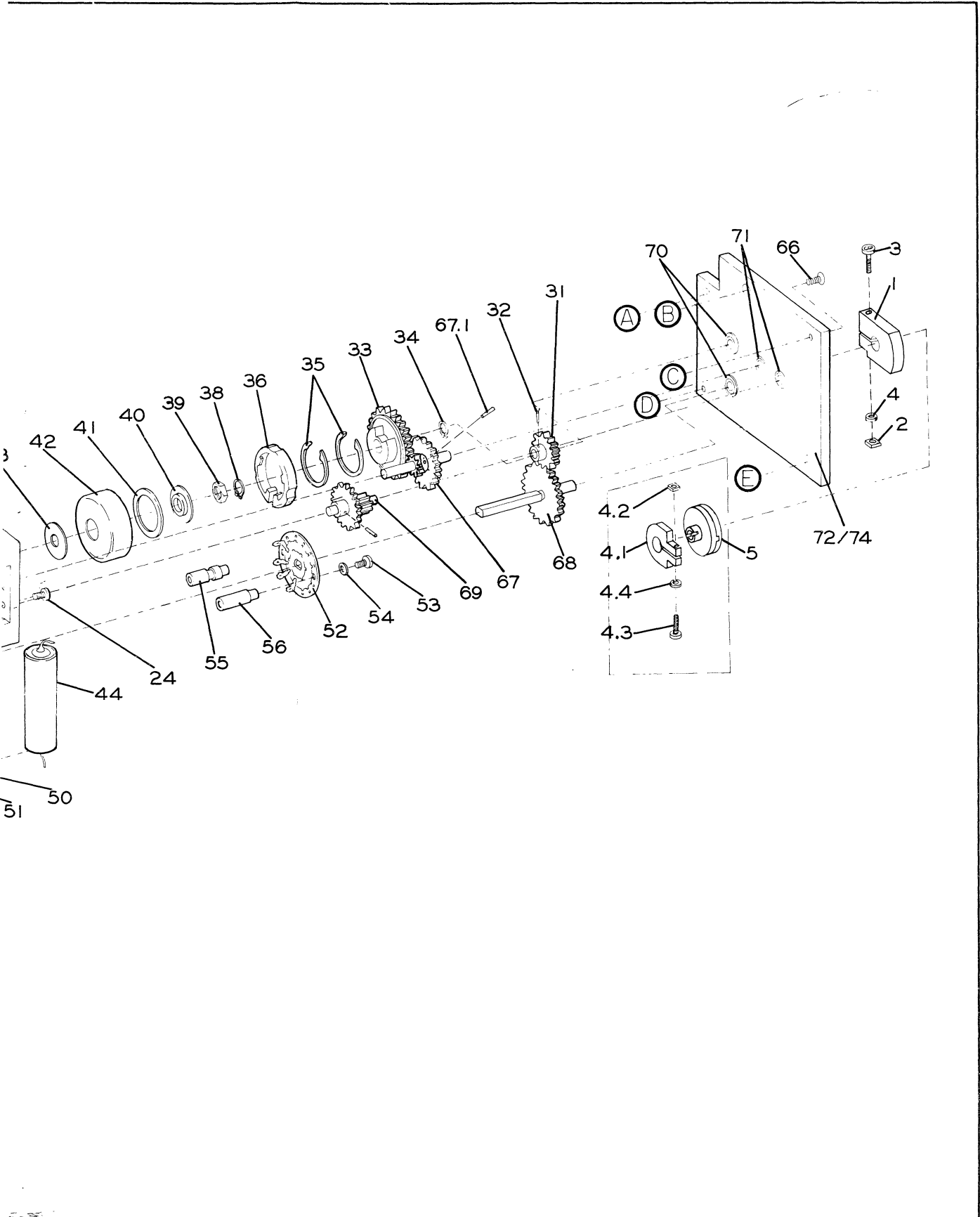


FIG. & INDEX NO.	PART NO.	DESCRIPTION	UNITS PER ASSY.	USABLE ON CODE
5-12	504-7789-002	. . PAWL, For autopositioner (Used effective . . . . . Drive Switch MOD 3) (ATTACHING PARTS)	1	
-13	5133-12-S	. . RING, Retainer Fed Mfr Code 79136 (340-0087-00) . . -----*	1	
-14	MH-9M	. . CONNECTOR, Plug, 9 RD male CONT Fed Mfr . . . . . Code 97954 (372-1123-00) (ATTACHING PARTS)	1	
-15	COML	. . NUT, HEX, 1/2-20, BRS, NI PL Fed Mfr Code . . . . . 77250 (334-0260-00) -----*	1	
-16	506-7128-005	. . PLATE, Front, bearing . . . . . (ATTACHING PARTS)	1	
-17	MS35214-14	. . SCREW, Machine, cross recessed pan HD, 4-40 X . . . . . 3/8 IN. LG, BRS, NI PL (343-0287-00)	2	
-18	AN936B4	. . WASHER, Lock, 0.123 ID, 0.255 OD, 0.016 IN. THK, . . . . . SST (373-8010-00) -----*	2	
-19	506-7129-002	. . . BRACKET, Relay . . . . . (ATTACHING PARTS)	1	
-20	MS35214-13	. . . SCREW, Machine, cross recessed pan HD, 4-40 X . . . . . 5/16 IN. LG, BRS, NI PL (343-0286-00)	1	
-21	MS35214-15	. . . SCREW, Machine, cross recessed pan HD, 4-40 X . . . . . 7/16 IN. LG, BRS, NI PL (343-0288-00)	1	
-22	COML	. . . WASHER, Flat, 0.093 ID, 0.250 OD, 0.028 IN. . . . . THK, BRS, NI PL Fed Mfr Code 79807 (310-0054-00) -----*	2	
-23	C-25A-512	. . . MOTOR, 27.5 VDC Fed Mfr Code 25140 . . . . . (230-0199-00) (ATTACHING PARTS)	1	
-24	AN500C4-5	. . . SCREW, Machine, cross recessed FIL H, 4-40 X . . . . . 5/16 IN. LG, SST (347-0007-00) -----*	2	
-25	139-0369-00	. . . CLIP, Electrical, ferrule type, COP . . . . . (ATTACHING PARTS)	1	
-26	MS35214-2	. . . SCREW, Machine, cross recessed pan HD, 2-56 X . . . . . 3/16 IN. LG, BRS, NI PL (343-0298-00)	2	
-27	AN936A2	. . . WASHER, Lock, 0.095 ID, 0.185 OD, 0.012 IN. . . . . THK, SST (373-8500-00) -----*	2	
-28	306-0234-00	. . . TERMINAL, Stud, BRS . . . . . (ATTACHING PARTS)	4	
-29	MS35214-13	. . . SCREW, Machine, cross recessed pan HD, 4-40 X . . . . . 5/16 IN. LG, BRS, NI PL (343-0286-00)	4	
-30	AN936B4	. . . WASHER, Lock, 0.123 ID, 0.255 OD, 0.016 IN. . . . . THK, SST (373-8010-00) -----*	4	
-31	506-7108-002	. . . GEAR, Spur, 32 teeth . . . . . (ATTACHING PARTS)	1	
-32	COML	. . . PIN, Groove, 0.375 IN. LG, SST Fed Mfr Code . . . . . 91738 (311-1122-30) -----*	1	
-33	503-7091-002	. . . CLUTCH, Spur, 72 teeth . . . . . (ATTACHING PARTS)	1	
-34	5100-25-S	. . . RING, Retainer, STL, CAD PL Fed Mfr Code . . . . . 79136 (340-0025-00) -----*	1	

FIG. & INDEX NO.	PART NO.	DESCRIPTION							UNITS PER ASSY.	USABLE ON CODE
		1	2	3	4	5	6	7		
5-35	502-7029-002	.	.	.	SPRING, For use W/ friction clutch . . . . .				2	
					OR					
-35	502-7030-002	.	.	.	SPRING, For use W/ friction clutch . . . . .				2	
-36	502-1825-002	.	.	.	CLUTCH, Friction . . . . .				1	
-37	506-7102-002	.	.	.	SHAFT, Wheel stop . . . . .				1	
					(ATTACHING PARTS)					
-38	5100-25-S	.	.	.	RING, Retainer, STL, CAD PL Fed Mfr Code . . .				1	
					79136 (340-0025-00)					
-39	COML	.	.	.	NUT, HEX, 5/16 -32, SST Fed Mfr Code 77250 . .				1	
					(334-0264-00)					
-40	503-4920-001	.	.	.	FLANGE, Bearing, for use W/ clutch, SST . . . .				1	
-41	502-1164-002	.	.	.	SPACER, Clutch, 0.859 ID, 1.187 OD, 0.070 IN. . . .				1	
					THK, natural linen base bakelite					
-42	502-1132-002	.	.	.	DRUM, For mechanical clutch . . . . .				1	
-43	541-4890-002	.	.	.	WASHER, Flat, STL, 0.316 ID, 13/16 OD, 0.065 . .				1	
					IN. THK					
					-----*-----					
-44	96P10502S2	.	.	.	CAPACITOR, Fixed, paper dielectric, 1 UF . . . . .				1	
					±20%, 200 V Fed Mfr Code 56289					
					(931-0429-00)					
-45	2020-J	.	.	.	CLIP, Fuse Fed Mfr Code 80302 (265-5010-00) . . . .				1	
					(ATTACHING PARTS)					
-46	AN340B4	.	.	.	NUT, HEX, 4-40, BRS, NI PL (313-0051-00) . . . . .				2	
-47	AN936B6	.	.	.	WASHER, Lock, 0.150 ID, 0.317 OD, 0.020 IN. THK, . .				2	
					SST (373-8020-00)					
-48	2104-6	.	.	.	TERMINAL, Lug, PH BRZ Fed Mfr Code 78189 . . . .				1	
					(304-6920-00)					
-49	506-7120-002	.	.	.	PLATE, Capacitor . . . . .				1	
-50	MS35214-29	.	.	.	SCREW, Machine, cross recessed pan HD, 6-32 X . . . .				1	
					3/4 IN. LG, BRS, NI PL (343-0334-00)					
-51	COML	.	.	.	WASHER, Flat, 0.147 ID, 0.312 OD, 0.032 IN. THK . . . .				1	
					BRS Fed Mfr Code 79807 (310-0055-00)					
					-----*-----					
-52	57419-F	.	.	.	SWITCH SECTION, Rotary, SP, 12 positions . . . . .				1	
					Fed Mfr Code 76854 (269-1622-00)					
					(ATTACHING PARTS)					
-53	MS35214-12	.	.	.	SCREW, Machine, cross recessed pan HD, 4-40 X . . . .				2	
					1/4 IN. LG, BRS, NI PL (343-0285-00)					
-54	8942	.	.	.	WASHER, Flat, 0.116 ID, 0.187 OD, 0.031 IN. THK, . .				4	
					phenolic Fed Mfr Code 76854 (302-0262-00)					
					-----*-----					
-55	506-7115-002	.	.	.	POST, Supporting . . . . .				1	
-56	506-7114-002	.	.	.	POST, Supporting . . . . .				1	
					(ATTACHING PARTS)					
-57	MS35214-13	.	.	.	SCREW, Machine, cross recessed pan HD, 4-40 X . .				1	
					5/16 IN. LG, BRS, NI PL (343-0286-00)					
-58	AN936B4	.	.	.	WASHER, Lock, 0.123 ID, 0.255 OD, 0.016 IN. THK, . .				1	
					SST (373-8010-00)					
					-----*-----					
-59	506-7124-003	.	.	.	PLATE, Front . . . . .				1	
-60	506-8307-002	.	.	.	BEARING, Sleeve, BRZ . . . . .				1	
-61	506-7118-002	.	.	.	PAD, Motor . . . . .				1	
					(ATTACHING PARTS)					
-62	MS35200-28	.	.	.	SCREW, Machine, cross recessed FH, 6-32 X . . . .				3	
					5/8 IN. LG, SST (342-0065-00)					
					-----*-----					

FIG. & INDEX NO.	PART NO.	DESCRIPTION							UNITS PER ASSY.	USABLE ON CODE
		1	2	3	4	5	6	7		
5-63	309-0370-00	.	.	.	.	.	.	BEARING, Ball, double shielded, plain . . . . .	1	
								finish		
-64	506-7125-004	.	.	.	.	.	.	PLATE, Front . . . . .	1	
-65	506-7112-002	.	.	.	.	.	.	POST, Supporting . . . . .	2	
								(ATTACHING PARTS)		
-66	MS35198-13	.	.	.	.	.	.	SCREW, Machine, cross recessed FH, 4-40 X 5/16 IN. LG, BRS, NI PL (342-0153-00)	2	
								-----*-----		
-67	506-7116-002	.	.	.	.	.	.	GEAR, Spur, 95 teeth . . . . .	1	
-67.1	COML	.	.	.	.	.	.	PIN, Groove, headless, SST Fed Mfr Code 91738 . . . (311-1122-30)	1	
-68	540-7426-002	.	.	.	.	.	.	GEAR, Spur, 64 teeth . . . . .	1	
-69	506-7119-002	.	.	.	.	.	.	GEAR, Spur, 95 teeth . . . . .	1	
-70	309-0002-00	.	.	.	.	.	.	BEARING, Ball, double shielded, plain finish . . . . .	3	
-71	309-0370-00	.	.	.	.	.	.	BEARING, Ball, double shielded, plain finish . . . . .	3	
-72	506-7123-003	.	.	.	.	.	.	PLATE, Rear bearing, switch . . . . .	1	
-73	506-7104-002	.	.	.	.	.	.	POST, Spacing . . . . .	3	
-74	506-7122-003	.	.	.	.	.	.	PLATE, Rear bearing, switch . . . . .	1	
6-	506-6624-005	DRIVE ASSY, Tuning (See figure 4-2 for next higher . . . . . ASSY) (Used effective Tuning Drive No MOD)							REF	
6-	540-9965-002	DRIVE ASSY, Tuning (See figure 4-2 for next higher . . . . . ASSY) (Used effective Tuning Drive MOD-1)							REF	
6-	540-9969-005	.	.	.	.	.	.	DRIVE, Tuning, wired (Used effective Tuning Drive . . . MOD-1)	1	
-1	506-6618-002	.	.	.	.	.	.	CLAMP, To accommodate shaft (Used effective . . . Tuning Drive No MOD)	1	
								(ATTACHING PARTS)		
-2	COML	.	.	.	.	.	.	NUT, Square, 4-40, STL, CAD PL Fed Mfr . . . . . Code 77250 (334-0485-00)	1	
-3	324-0303-00	.	.	.	.	.	.	SCREW, Cap, socket HD, STL, FIL H, W/ multiple . . . spline recess, 4-40 X 9/16 IN. LG	1	
-4	COML	.	.	.	.	.	.	WASHER, Lock, SST, split helical ring, 0.115 ID, . . . 0.212 OD, 0.025 IN. THK Harper Mfg. Co. (310-0279-00)	1	
								-----*-----		
-4.1	504-7537-002	.	.	.	.	.	.	CLAMP, To accommodate shaft (Used effective . . . Tuning Drive MOD-1)	1	
								(ATTACHING PARTS)		
-4.2	COML	.	.	.	.	.	.	NUT, Square, 4-40 THD, STL, CAD PL Fed Mfr . . . Code 77250 (334-0485-00)	1	
-4.3	324-0300-00	.	.	.	.	.	.	SCREW, Cap, socket HD, flat FIL H W/ multiple . . . spline recess, 4-40 THD, 1/2 IN. LG, STL, CAD PL	1	
-4.4	COML	.	.	.	.	.	.	WASHER, Lock, RD, 0.125 ID, 0.187 OD, 0.311 IN. . . . THK Fed Mfr Code 78189 (310-3340-00)	1	
								-----*-----		
-5	540-7420-002	.	.	.	.	.	.	COUPLING, Rigid, split hub (Used effective . . . . . Tuning Drive MOD-1)	1	
-6	506-6621-003	.	.	.	.	.	.	PLATE, Bearing, rear . . . . .	1	
								(ATTACHING PARTS)		
-7	MS35198-14	.	.	.	.	.	.	SCREW, Machine, cross recessed FH, 4-40 X . . . . . 3/8 IN. LG, BRS, NI PL (342-0154-00)	2	
-7.1	506-6612-002	.	.	.	.	.	.	POST, Spacing, AL, chromate dipped . . . . .	3	

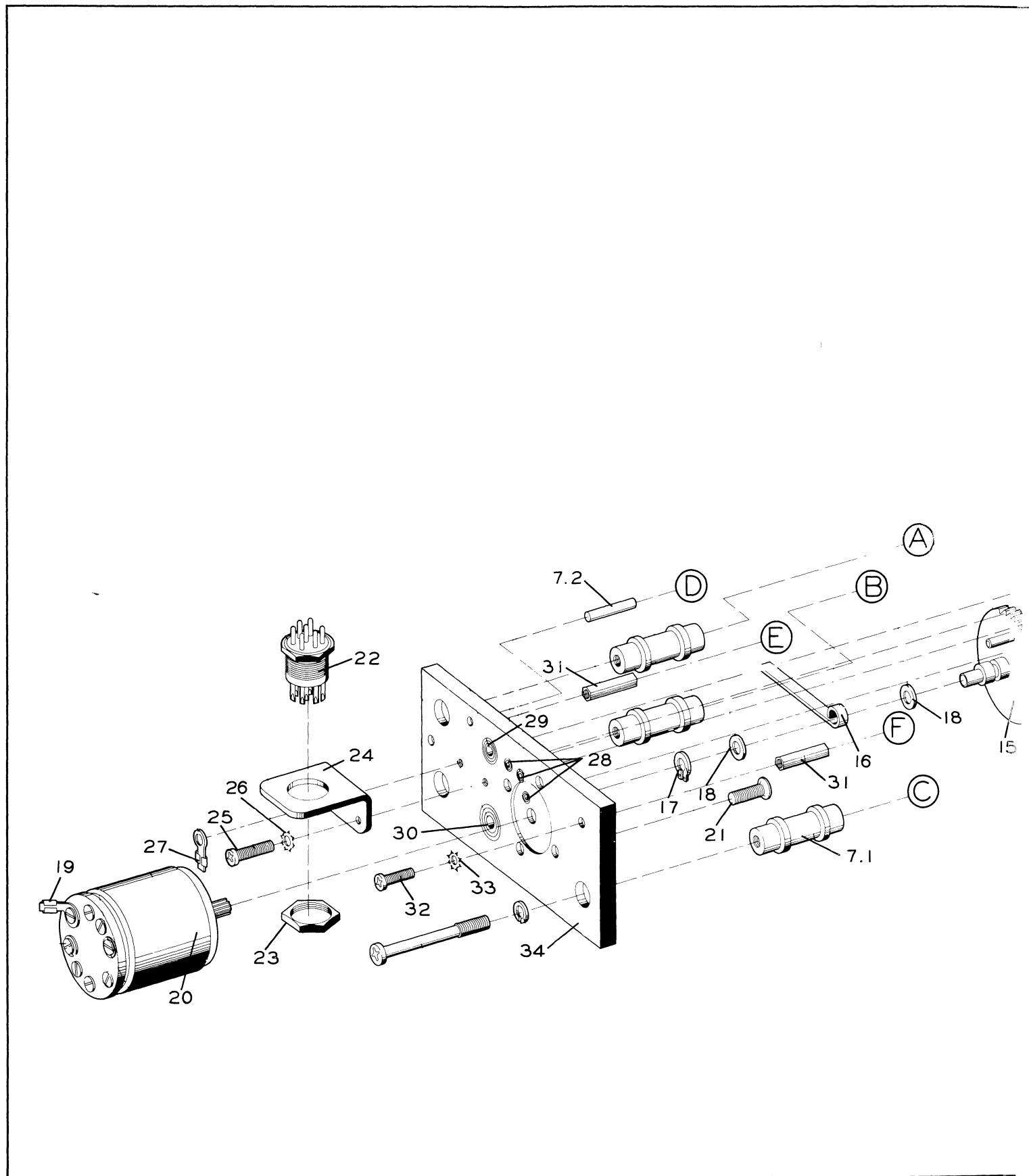


Figure 6. Tuning Drive Assembly (No Mod, Mod-1)

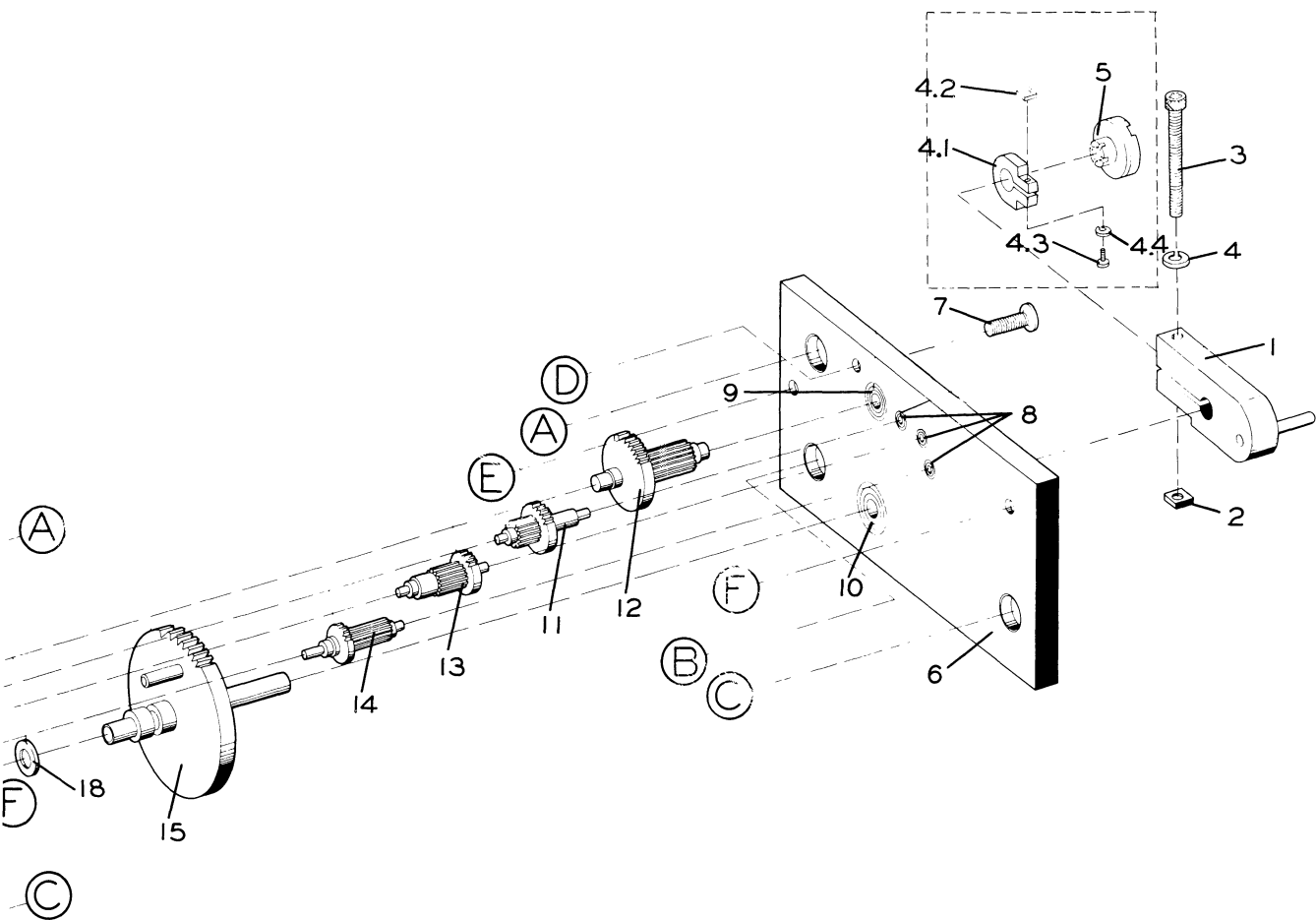


FIG. & INDEX NO.	PART NO.	DESCRIPTION							UNITS PER ASSY.	USABLE ON CODE
		1	2	3	4	5	6	7		
6-7.2	506-6615-002	.	.	STOP, Spring, STL . . . . .					1	
				-----*-----						
-8	SR1	.	.	BEARING, Ball, 0.055 IN. bore Fed Mfr Code . . . .					3	
				83086 (309-0349-00)						
-9	309-0370-00	.	.	BEARING, Ball, 0.125 IN. bore . . . . .					1	
-10	309-0002-00	.	.	BEARING, Ball, double shielded, plain finish . . . . .					1	
-11	506-6610-002	.	.	GEAR ASSY, One 15 teeth, one 27 teeth . . . . .					1	
-12	506-6600-002	.	.	GEAR ASSY, One 15 teeth, one 24 teeth . . . . .					1	
-13	506-6597-002	.	.	GEAR ASSY, One 15 teeth, one 34 teeth . . . . .					1	
-14	506-6603-002	.	.	GEAR ASSY, One 16 teeth, one 54 teeth . . . . .					1	
-15	506-6607-002	.	.	GEAR, 136 teeth . . . . .					1	
-16	506-6611-002	.	.	SPRING, Drive, tuning . . . . .					1	
				(ATTACHING PARTS)						
-17	5100-25-S	.	.	RING, Retainer, STL, CAD PL Fed Mfr Code 79136. .					1	
				(340-0025-00)						
-18	506-6619-002	.	.	WASHER, Flat, 0.258 ID, 0.375 OD, 0.017 IN. THK, . .					2	
				STL						
				-----*-----						
-19	142	.	.	TERMINAL, Lug, BRS Fed Mfr Code 79963 . . . . .					7	
				(304-6300-00)						
-20	R-110-2B-C	.	.	MOTOR, AC, 400 cycles, input voltage 115 RMS, . . .					1	
				4800 RPM Fed Mfr Code 88818						
				(230-0129-00)						
				(ATTACHING PARTS)						
-21	MS35198-13	.	.	SCREW, Machine, cross recessed FH, 4-40 X . . . .					4	
				5/16 IN. LG, BRS, NI PL (342-0153-00)						
				-----*-----						
-22	MH-7M	.	.	CONNECTOR, Receptacle, 7 RD male CONT . . . . .					1	
				Fed Mfr Code 97954 (372-1116-00)						
				(ATTACHING PARTS)						
-23	COML	.	.	NUT, HEX, 1/2 -20, BRS, NI PL Fed Mfr Code . . . .					1	
				77250 (334-0260-00)						
				-----*-----						
-24	506-6616-002	.	.	BRACKET, Connector . . . . .					1	
				(ATTACHING PARTS)						
-25	MS35214-12	.	.	SCREW, Machine, cross recessed pan HD, 4-40 X . .					2	
				1/4 IN. LG, BRS, NI PL (343-0285-00)						
-26	AN936B4B	.	.	WASHER, Lock, 0.123 ID, 0.255 OD, 0.016 IN. THK, . .					2	
				PH BRZ, CAD PL (373-7010-00)						
-27	142	.	.	TERMINAL, Lug, BRS Fed Mfr Code 79963 . . . . .					1	
				(304-6300-00)						
				-----*-----						
-28	SR1	.	.	BEARING, Ball, 0.055 IN. bore Fed Mfr Code 83086 .					3	
				(309-0349-00)						
-29	309-0370-00	.	.	BEARING, Ball, 0.1250 IN. bore . . . . .					1	
-30	309-0002-00	.	.	BEARING, Ball, double shielded, plain finish . . . . .					1	
-31	506-6613-002	.	.	POST, Supporting . . . . .					2	
				(ATTACHING PARTS)						
-32	MS35214-14	.	.	SCREW, Machine, cross recessed pan HD, 4-40 X . .					2	
				3/8 IN. LG, BRS, NI PL (343-0287-00)						
-33	AN936B4B	.	.	WASHER, Lock, 0.123 ID, 0.255 OD, 0.016 IN. THK, . .					2	
				PH BRZ, CAD PL (373-7010-00)						
				-----*-----						
-34	506-6620-003	.	.	PLATE, Bearing, front . . . . .					1	

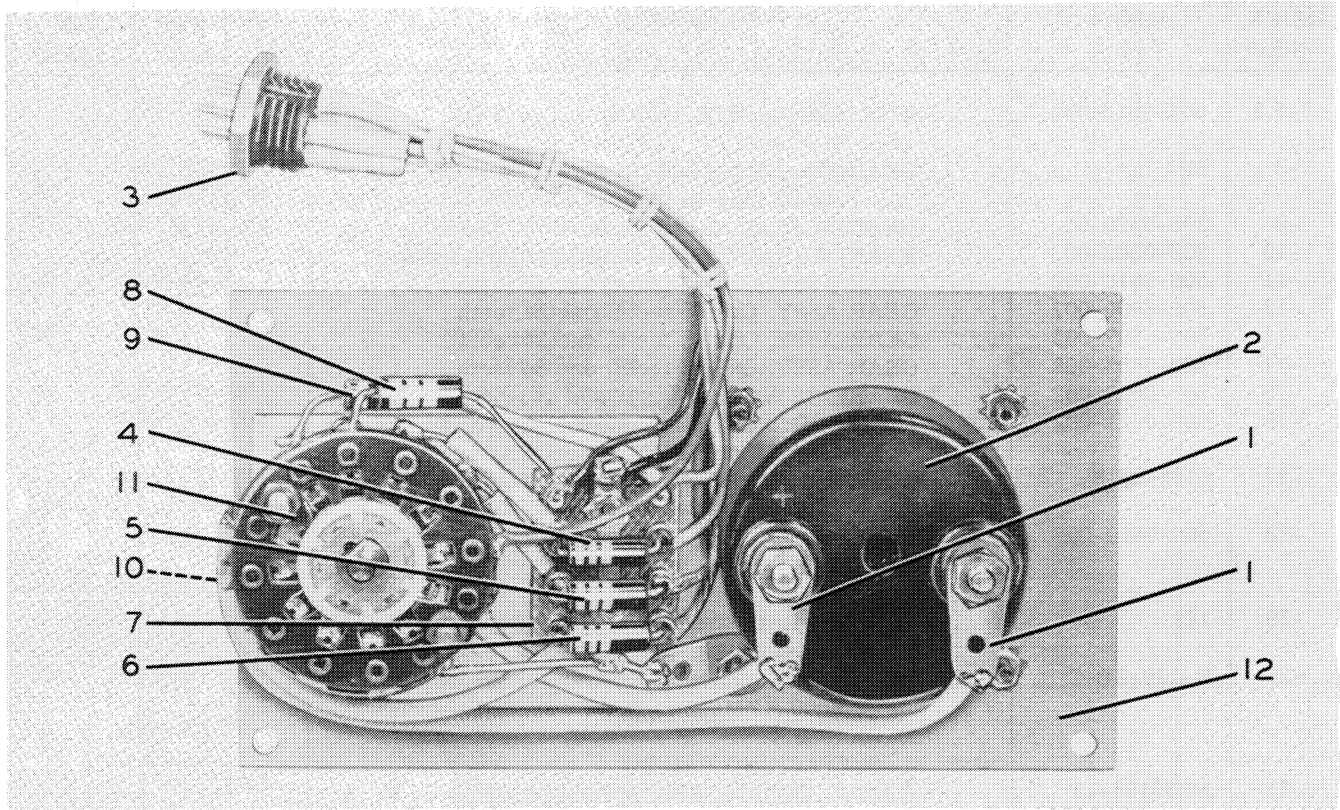


Figure 7. Meter Panel, Rear View

FIG. & INDEX NO.	PART NO.	DESCRIPTION							UNITS PER ASSY.	USABLE ON CODE
		1	2	3	4	5	6	7		
7-	506-6104-004	METER PANEL, Rear view (See figure 4-8 for next . . . .							REF	
-1	2102-04-00	. TERMINAL, Lug, PH BRZ Fed Mfr Code 78189 . . . .							2	
		(304-3110-00)								
-2	476-0216-00	. METER, Ammeter, DC Alt1, Pref 1 . . . . .							1	
-2	458-0164-00	. METER, Ammeter, DC Alt 1, Pref 2 . . . . .							1	
		(ATTACHING PARTS)								
	COML	. NUT, HEX, 4-40 THD, BRS, NI PL Fed Mfr Code . . . .							4	
		77250 (313-0156-00)								
	AN936B4	. WASHER, Lock, 0.123 ID, 0.255 OD, 0.016 IN. THK, . . .							4	
		SST (373-8010-00)								
	2102-04-00	. TERMINAL, Lug, PH BRZ Fed Mfr Code 78189 . . . . .							1	
		(304-3110-00)								
	MS35214-17	. SCREW, Machine, cross recessed pan HD, 4-40 X . . . .							4	
		5/8 IN. LG, BRS (343-1904-00)								
		-----*								
-3	MH-7M	. CONNECTOR, Receptacle, 7 RD male CONT Fed Mfr . .							1	
		Code 97954 (372-1116-00)								
-4	RC20GF222J	. RESISTOR, Fixed, COMP, 2200 ohms ±5%, 1/2 W . . . .							1	
		(745-1365-00)								
-5	RC20GF332J	. RESISTOR, Fixed, COMP, 3300 ohms ±5%, 1/2 W . . . .							1	
		(745-1372-00)								



FIG. & INDEX NO.	PART NO.	DESCRIPTION 1 2 3 4 5 6 7	UNITS PER ASSY.	USABLE ON CODE
7-6	RC20GF470J	. RESISTOR, Fixed, COMP, 47 ohms ±5%, 1/2 W . . . . . (745-1295-00)	1	
-7	1180	. BOARD, Terminal, general purpose Fed Mfr Code . . . 88245 (306-0293-00) (ATTACHING PARTS)	1	
	COML	. SCREW, Machine, cross recessed pan HD, 3-48 X . . . . . 1/4 IN. LG, BRS, NI PL Fed Mfr Code 77250 (343-0384-00) -----*-----	2	
-8	RC20GF273J	. RESISTOR, Fixed, COMP, 27,000 ohms ±5%, 1/2 W . . . . . (745-1411-00)	1	
-9	RC20GF274J	. RESISTOR, Fixed, COMP, 0.27 MEG, ±5%, 1/2 W . . . . . (745-1453-00)	1	
-10	506-6101-002	. KNOB, Wing . . . . . (ATTACHING PARTS)	1	
	COML	. SETSCREW, Multiple spline drive, 6-40 X 1/8 IN. LG, . . STL, CAD PL Fed Mfr Code 08664 (335-0008-00) -----*-----	2	
-11	57090-F1	. SWITCH, Rotary, 2 pole, 5 position Fed Mfr Code . . . . . 76854 (259-0611-00) (ATTACHING PARTS)	1	
	COML	. NUT, HEX, 3/8 -32, SST, NI PL Fed Mfr Code 77250 . . (334-4121-00)	2	
	506-6100-002	. PLATE, Switch . . . . . -----*-----	1	
-12	506-6103-003	. PLATE, Switch, front . . . . .	1	
8-	FBC1614B-19	FAN, Centrifugal, single unit, W/electric motor, 1/40 HP, . . 115 VAC, Pref 1 Fed Mfr Code 92702 (009-1361-00) (See figure 4-15 for next higher ASSY)	REF	A
8-	FBC1615B-14	FAN, Centrifugal, single unit, W/electric motor, 1/40 HP, . . 115 VAC, Pref 2 Fed Mfr Code 92702 (009-1304-00) (See figure 4-15 for next higher ASSY)	REF	B
8-	219C	FAN, Centrifugal, single unit, W/electric motor, 1/45 HP, . . 115 VAC, Pref 3 Fed Mfr Code 73426 (009-1289-00) (See figure 4-15 for next higher ASSY)	REF	C
-1	FH-2CA	. SHIELD, Blower, STL, 19 gauge Fed Mfr Code 89321 . . (234-0597-00) (ATTACHING PARTS)	1	
-2	MS35214-3	. SCREW, Machine, cross recessed pan HD, 2-56 X . . . . . 1/4 IN. LG, BRS (343-0299-00)	3	
-3	AN936A2	. WASHER, Lock, SST, 0.095 ID, 0.185 OD, 0.012 IN. . . . . THK (373-8500-00) -----*-----	3	
-4	200-031	. IMPELLER, Fan, centrifugal Fed Mfr Code 78784 . . . . . (009-1277-00) (ATTACHING PARTS)	1	
-5	COML	. SETSCREW, STL, 8-32 THD, 0.135 IN. LG Fed Mfr . . . . . Code 08664 (328-0008-00) -----*-----	2	
-6	67-52-1	. HOUSING, Fan, centrifugal Fed Mfr Code 92702 . . . . . (234-0747-00) (ATTACHING PARTS)	1	A, B
-7	MS35214-24	. SCREW, Machine, cross recessed pan HD, BRS, 6-32 X . . 5/16 IN. LG (343-0329-00)	3	A, B

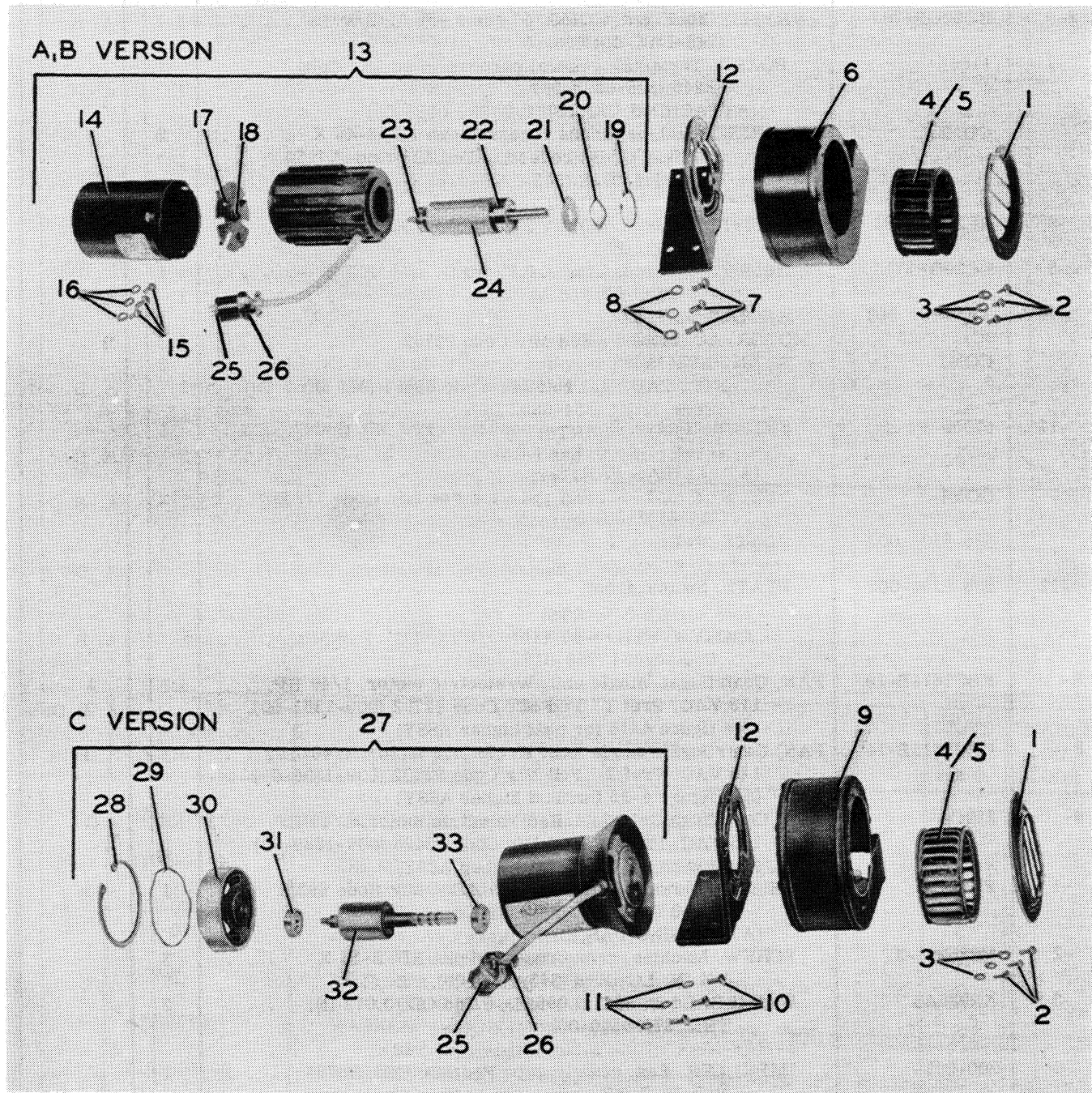


Figure 8. Centrifugal Fan

FIG. & INDEX NO.	PART NO.	DESCRIPTION	UNITS PER ASSY.	USABLE ON CODE		
					1	2
8-8	AN936B6	. WASHER, Lock, SST, 0.150 ID, 0.317 OD, 0.020 . . . . . IN. THK (373-8020-00) -----*	3	A, B		
-9	FH-2C	. HOUSING, Fan, centrifugal, AL, 1.456 X 3-1/4 X 3-1/2 . . . IN. Fed Mfr Code 70479 (234-0596-00) (ATTACHING PARTS)	1	C		
-10	MS35214-13	. SCREW, Machine, cross recessed pan HD, 4-40 X . . . . . 5/16 IN. LG. BRS (343-0286-00)	4	C		
-11	AN936B4	. WASHER, Lock, 0.123 ID, 0.255 OD, 0.016 IN. THK, . . . . SST (373-8010-00) -----*	4	C		
-12	506-8095-003	. BRACKET, Blower motor . . . . .	1			
-13	FBC1615-29	. MOTOR, AC, blower Fed Mfr Code 92702 . . . . . (230-0277-00)	1	A		
-13	FBC1615-26	. MOTOR, AC, blower Fed Mfr Code 92702 . . . . . (230-0241-00)	1	B		
-14	3001B1-10	. . HOUSING, Electrical rotating equipment Fed Mfr . . . Code 92702 (234-0802-00) (ATTACHING PARTS)	1	A, B		
-15	MS35214-11	. . SCREW, Machine, cross recessed pan HD, BRS, . . . . . 4-40 X 3/16 IN. LG (343-0284-00)	3	A, B		
-16	AN936B4	. . WASHER, Lock, SST, 0.123 ID, 0.255 OD, 0.016 . . . . . IN. THK (373-8010-00) -----*	3	A, B		
-17	6301-1	. . IMPELLER, Motor, 7 blades Fed Mfr Code 92702 . . . . . (234-0748-00) (ATTACHING PARTS)	1	A, B		
-18	COML	. . SETSCREW, STL, 5-40 THD, 1/8 IN. LG Fed Mfr . . . . . Code 08664 (328-0137-00) -----*	2	A, B		
-19	5000-87	. . RING, Retaining, STL Fed Mfr Code 79136 . . . . . (340-0187-00)	1	A, B		
-20	83-10	. . WASHER, Spring tension, STL, 0.600 ID, 0.846 OD, . . . . . 0.009 IN. THK Fed Mfr Code 92702 (234-0801-00)	1	A, B		
* -21	81-1	. . WASHER, Flat, RD, SST, 0.296 ID, 0.862 OD, . . . . . 0.010 IN. THK Fed Mfr Code 92702 (234-0401-00) OR	AR	A, B		
* -21	81-7	. . WASHER, Flat, RD, SST, 0.375 ID, 0.862 OD, . . . . . 0.015 IN. THK Fed Mfr Code 92702 (234-0402-00) OR	AR	A, B		
* -21	81-4	. . WASHER, Flat, RD, SST, 0.296 ID, 0.862 OD, . . . . . 0.032 IN. THK Fed Mfr Code 92702 (234-0404-00)	AR	A, B		
-22	234-0954-00	. . BEARING, Ball, annular, single row, radial, . . . . . 2 shields	1	A		
-22	77037XR1225E	. . BEARING, Ball, single row, radial, 2 shields . . . . . Fed Mfr Code 43334 (234-0399-00)	1	B		
-23	234-0956-00	. . BEARING, Ball, annular, single row, radial . . . . .	1	A		
-23	77034XR1225E	. . BEARING, Ball, single row, radial, 2 shields . . . . . Fed Mfr Code 43334 (234-0400-00)	1	B		
-24	4101B56-1	. . ARMATURE, Motor, for use on blower ASSY . . . . . Fed Mfr Code 92702 (234-0746-00)	1	A, B		
-25	MH-7M	. . CONNECTOR, Receptacle, electrical, 7 RD male . . . . . CONT Fed Mfr Code 97954 (372-1116-00)	1			

\* Use as needed to fit individual requirements.

Section II  
Group Assembly Parts List

T.O. 12R2-4-6-4

FIG. & INDEX NO.	PART NO.	DESCRIPTION							UNITS PER ASSY.	USABLE ON CODE
		1	2	3	4	5	6	7		
8-26	372-1159-00	.	.	COVER, Connector, molded plastic . . . . .					1	
-27	MODEL 219F	.	.	MOTOR, AC, squirrel cage induction, capacitor start . . . . .					1	C
				115 V, 0.142 HP Fed Mfr Code 73426 (230-0190-00)						
-28	234-0611-00	.	.	RING, Retaining, STL, CAD PL . . . . .					1	C
* -29	234-1002-00	.	.	SHIM, RD shape, PH BRZ, 0.187 ID, 17/64 OD, . . . . .					AR	C
				0.003 IN. THK OR						
* -29	234-1003-00	.	.	SHIM, RD shape, PH BRZ, 0.187 ID, 17/64 OD, . . . . .					AR	C
				0.005 IN. THK OR						
* -29	234-1004-00	.	.	SHIM, RD shape, PH BRZ, 0.187 ID, 17/64 OD, . . . . .					AR	C
				0.010 IN. THK						
-30	2757	.	.	END BELL, Electrical rotating equipment, die case . . . . .					1	C
				AL, chromate dipped Fed Mfr Code 73426 (234-0612-00)						
-31	77R3XR1224E	.	.	BEARING, Ball, annular, ground, single row, radial . . . . .					1	C
				Fed Mfr Code 43334 (234-0598-00)						
-32	3380FH	.	.	ARMATURE, Motor, slot wound, W/O bearings, . . . . .					1	C
				0.816 IN. DIA X 3.375 IN. LG overall Fed Mfr Code 73426 (234-1005-00)						
-33	77R4XR1224E	.	.	BEARING, Ball, annular, ground, single row, radial . . . . .					1	C
				Fed Mfr Code 43334 (234-0599-00)						
9-	506-6519-004	CONTROL, Sidetone (See figure 4-16 for next higher . . . . .							REF	
		ASSY)								
-1	96P47403S4	.	.	CAPACITOR, Fixed, paper dielectric, 470,000 UUF . . . . .					1	
				±20%, 300 V Fed Mfr Code 56289 (931-2520-00)						
-2	380-6262-00	.	.	RESISTOR, Variable, COMP, 10,000 ohms . . . . .					3	
				±10%, 1/2 W (ATTACHING PARTS)						
	COML	.	.	NUT, HEX, 1/4-32 THD, BRS, NI PL Fed Mfr Code . . . . .					3	
				77250 (334-0253-00)						
	AN936A416B	.	.	WASHER, Lock, 0.267 ID, 0.478 OD, 0.025 IN. THK . . . . .					3	
				PH BRZ (373-3050-00)						
		-----*								
-3	MH-7M	.	.	CONNECTOR, Plug, 7 RD female CONT Fed Mfr . . . . .					2	
				Code 97954 (372-1124-00) (ATTACHING PARTS)						
	COML	.	.	NUT, HEX, 1/2-20, BRS, NI PL Fed Mfr Code 77250 . . . . .					2	
				(334-0260-00)						
		-----*								
-4	126-151-1001	.	.	CONNECTOR, Receptacle, 15 RD male CONT Fed Mfr . . . . .					1	
				Code 89709 (372-1079-00)						
-5	RC20GF103K	.	.	RESISTOR, Fixed, COMP, 10,000 ohms ±10%, 1/2 W . . . . .					1	
				(745-1394-00)						
-6	ST-1050-34	.	.	TERMINAL, Stud, BRS Fed Mfr Code 16688 . . . . .					3	
				(306-0091-00) (ATTACHING PARTS)						
	MS35214-11	.	.	SCREW, Machine, cross recessed pan HD, 4-40 X . . . . .					2	
				3/16 IN. LG, BRS, NI PL (343-0284-00)						
	MS35214-14	.	.	SCREW, Machine, cross recessed pan HD, 4-40 X . . . . .					1	
				3/8 IN. LG, BRS, NI PL (343-0287-00)						

\* Use as needed to fit individual requirements.

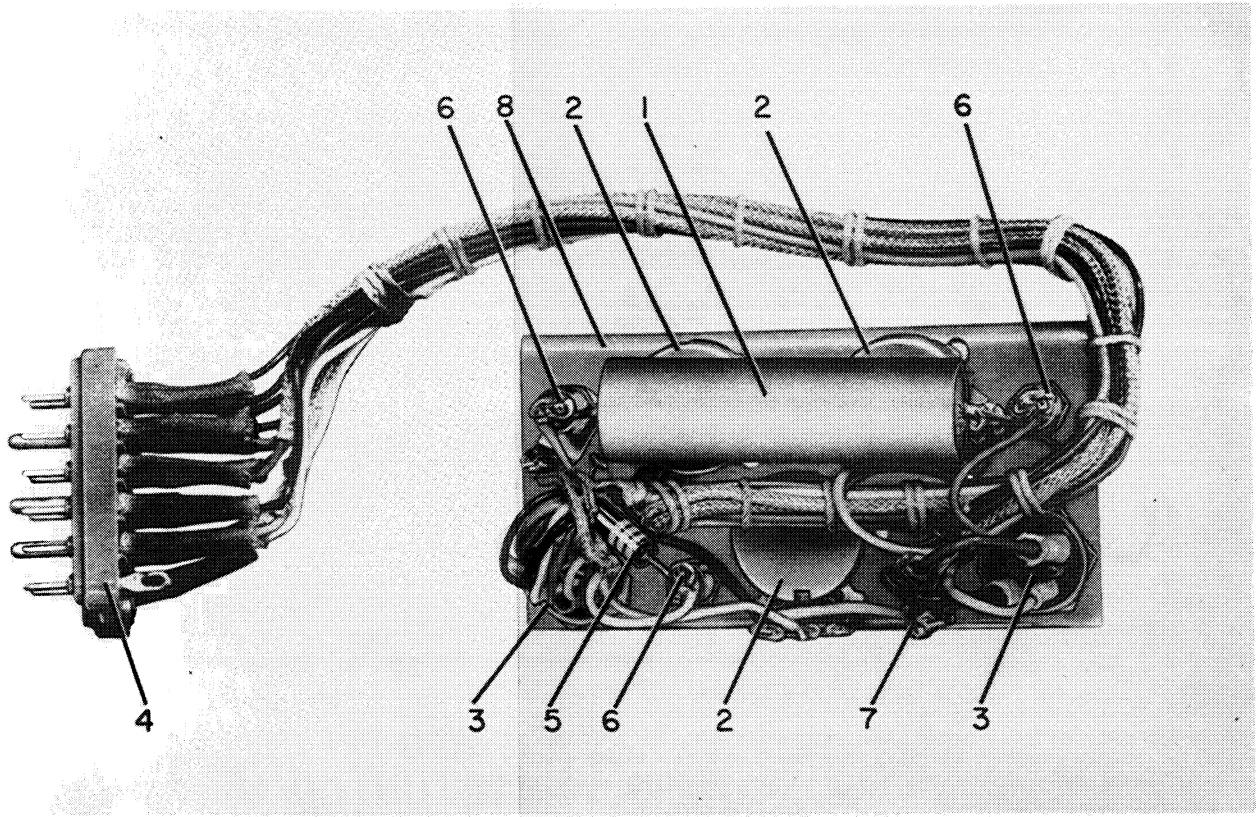


Figure 9. Sidetone Control

FIG. & INDEX NO.	PART NO.	DESCRIPTION							UNITS PER ASSY.	USABLE ON CODE
		1	2	3	4	5	6	7		
9-	AN936B4	.							5	
	2104-4	.							1	
	AN340B4	.							1	
-7	2104-4	.							1	
	AN340B4	.							1	
	AN936B4	.							1	
	MS35214-12	.							1	
-8	506-6514-003	.							1	

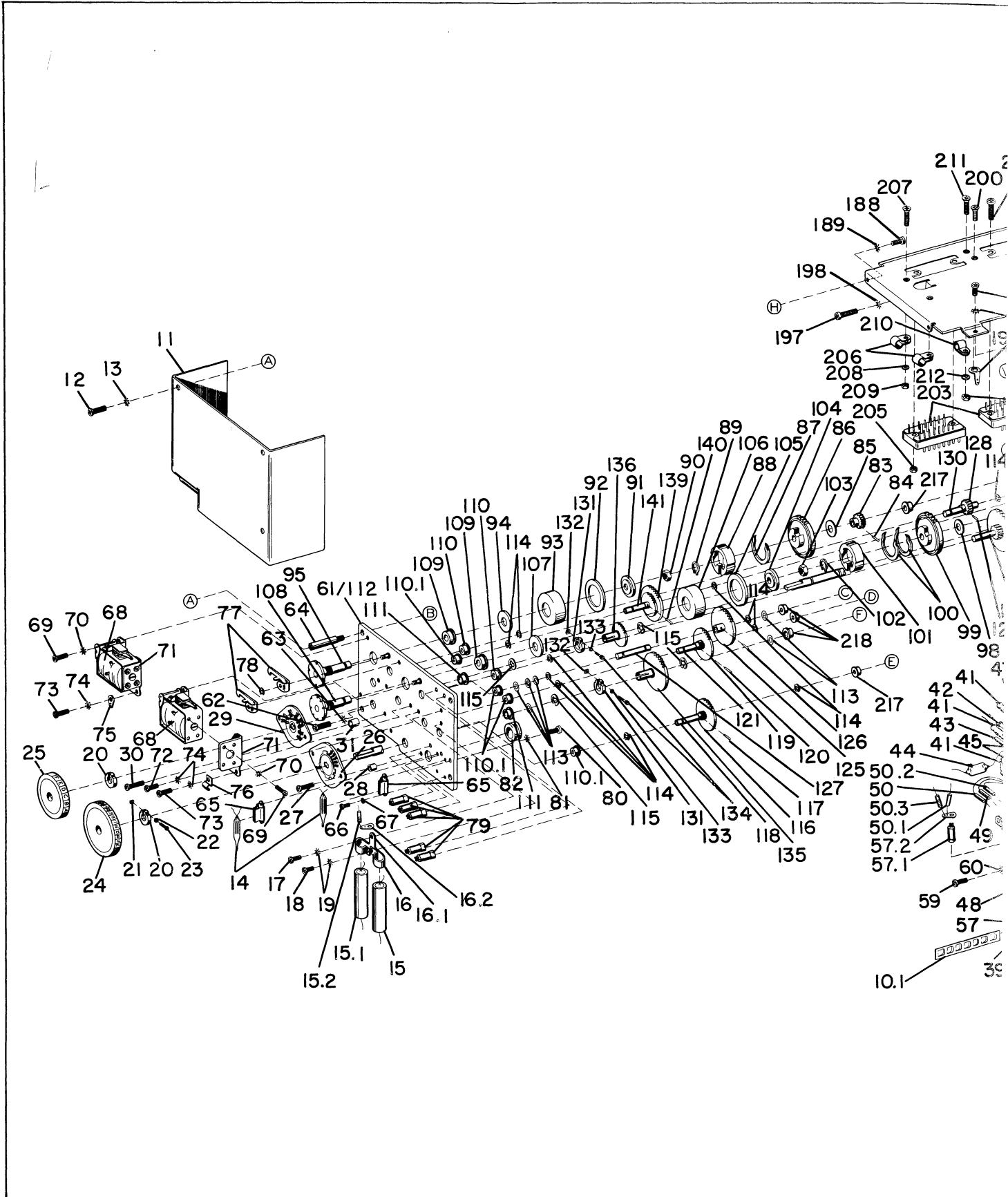


Figure 10. Crystal Oscillator (No Mod, Mod-1 thru Mod-6)

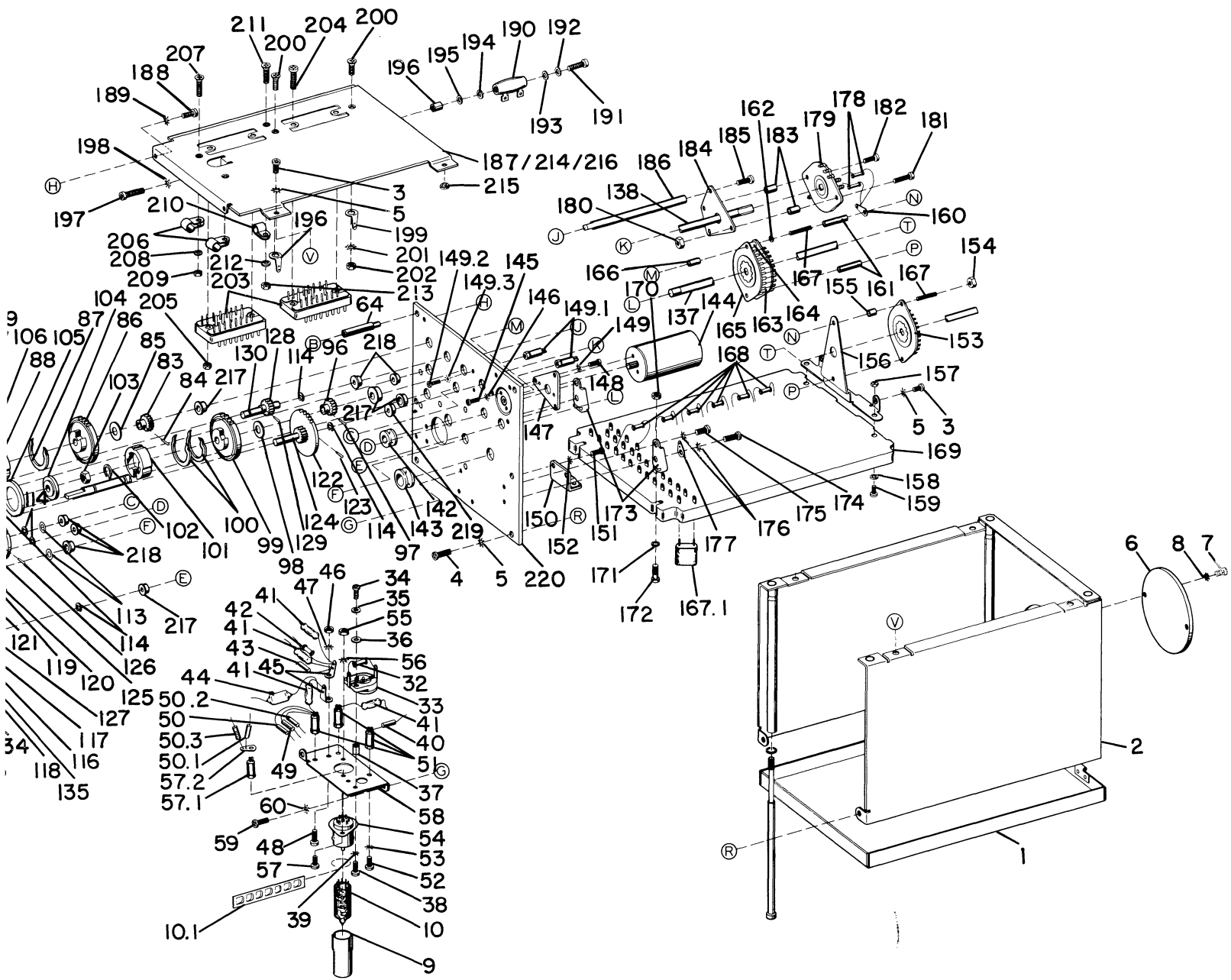


FIG. & INDEX NO.	PART NO.	DESCRIPTION	UNITS PER ASSY.	USABLE ON CODE		
					1	2
10-	506-6495-004	OSCILLATOR, Crystal, RF (See figure 3-1 for next higher ASSY) (Effective Crystal Oscillator No MOD, MOD-1 thru MOD-6)	REF			
-1	506-6475-003	. COVER, Crystal	1			
-2	506-6478-003	. COVER, Switch (ATTACHING PARTS)	1			
-3	MS35214-11	. SCREW, Machine, cross recessed pan HD, 4-40 X 3/16 IN. LG, BRS, NI PL (343-0284-00)	7			
-4	MS35214-12	. SCREW, Machine, cross recessed pan HD, 4-40 X 1/4 IN. LG, BRS, NI PL (343-0285-00)	2			
-5	AN936B4	. WASHER, Lock, 0.123 ID, 0.255 OD, 0.016 IN. THK, SST (373-8010-00)	9			
-6	506-6410-002	-----*----- . COVER, Plate (ATTACHING PARTS)	1			
-7	MS35198-2	. SCREW, Machine, cross recessed PH, 2-56 X 3/16 IN. LG, BRS, NI PL (342-0142-00)	2			
-8	COML	. WASHER, Lock, 0.095 ID, 0.183 OD, 0.007 IN. THK, SST Fed Mfr Code 78189 (373-0114-00)	2			
-9	541-6550-003	-----*----- . SHIELD, Electron tube, 7 pin miniature, BRS	1			
-10	5654	. ELECTRON TUBE, RF pentode Fed Mfr Code 95445 (253-0001-00)	1			
-10.1	541-6532-003	. INSERT, Electron tube socket, COP	1			
-11	506-6496-004	. COVER, Gear (ATTACHING PARTS)	1			
-12	MS35214-11	. SCREW, Machine, cross recessed pan HD, 4-40 X 3/16 IN. LG, BRS, NI PL (343-0284-00)	4			
-13	AN936B4	. WASHER, Lock, 0.123 ID, 0.255 OD, 0.016 IN. THK, SST (373-8010-00)	4			
-14	NE-2	-----*----- . LAMP, Glow, 1/25 W Fed Mfr Code 24446 (262-0025-00)	2			
-15	96P10501S2	. CAPACITOR, Fixed, paper dielectric, 1 UF ±20%, 100 V Fed Mfr Code 56289 (931-0410-00)	1			
-15.1	96P10501S2	. CAPACITOR, Fixed, paper dielectric, 1 UF ±20%, 100 V Fed Mfr Code 56289 (931-0410-00) (Used effective Crystal Oscillator No MOD thru MOD-3)	1			
-15.2	RC20GF220K	. RESISTOR, Fixed, COMP, 22 ohms ±10%, 1/2 W (745-1282-00) (Used effective Crystal Oscillator MOD-4 thru MOD-6)	1			
-16	506-6426-002	. CLAMP, Capacitor (Used effective Crystal Oscillator No MOD thru MOD-3)	1			
-16	540-5845-002	. CLAMP, Loop (Used effective Crystal Oscillator MOD-4 thru MOD-6)	1			
-16.1	507-6860-00	. STRAP, Retaining (Used effective Crystal Oscillator MOD-4 thru MOD-6)	1			
-16.2	4007-6	. TERMINAL, Lug, COP Fed Mfr Code 77147 (304-0016-00) (Used effective Crystal Oscillator MOD-4 thru MOD-6) (ATTACHING PARTS for 16 thru 16.2)	1			
-17	MS35214-11	. SCREW, Machine, cross recessed pan HD, 4-40 X 3/16 IN. LG, BRS, NI PL (343-0284-00)	1			
-18	MS35214-12	. SCREW, Machine, cross recessed pan HD, 4-40 X 1/4 IN. LG, BRS, NI PL (343-0285-00)	1			
-19	AN936B4	. WASHER, Lock, 0.123 ID, 0.255 OD, 0.016 IN. THK, SST (373-8010-00)	2			
		-----*-----				



Section II  
Group Assembly Parts List

T.O. 12R2-4-6-4

FIG. & INDEX NO.	PART NO.	DESCRIPTION							UNITS PER ASSY.	USABLE ON CODE
		1	2	3	4	5	6	7		
10-20	504-7537-002	.	CLAMP, Shaft . . . . .						2	
			(ATTACHING PARTS)							
-21	COML	.	NUT, Square, 4-40, STL, CAD PL Fed Mfr Code . . . . .						2	
			77250 (334-0485-00)							
-22	COML	.	WASHER, Lock, 0.125 ID, 0.187 OD, 0.312 IN. THK, . . . . .						2	
			SST Fed Mfr Code 78189 (310-3340-00)							
-23	324-0300-00	.	SCREW, Cap, socket HD, FIL H, W/multiple spline . . . . .						2	
			recess, 4-40 THD, 1/2 IN. LG, STL, CAD PL -----*-----							
-24	506-6482-003	.	DIAL, Crystal . . . . .						1	
-25	506-6483-003	.	DIAL, Letters engraved "CBA" . . . . .						1	
-26	55978-MF	.	SWITCH SECTION, Rotary, 24 position Fed Mfr . . . . .						1	
			Code 76854 (269-1617-00) (ATTACHING PARTS)							
-27	MS35214-16	.	SCREW, Machine, cross recessed pan HD, 4-40 X . . . . .						2	
			1/2 IN. LG, BRS, NI PL (343-0289-00)							
-28	506-6419-002	.	POST, Spacing . . . . .						2	
			-----*-----							
-29	55910-H	.	SWITCH SECTION, Rotary, 12 position Fed Mfr . . . . .						1	
			Code 76854 (269-1614-00) (ATTACHING PARTS)							
-30	MS35214-16	.	SCREW, Machine, cross recessed pan HD, 4-40 X . . . . .						2	
			1/2 IN. LG, BRS, NI PL (343-0289-00)							
-31	506-6419-002	.	POST, Spacing . . . . .						2	
			-----*-----							
-32	CC20CH050C	.	CAPACITOR, Fixed, ceramic dielectric, 5 UUF . . . . .						1	
			±1/4 UUF, 500 V (JAN-C-20A) (916-0117-00)							
-33	822-124	.	CAPACITOR, Variable, ceramic, 2.0 to 7.0 UUF, . . . . .						1	
			500 V Fed Mfr Code 71590 (917-1013-00) (Used effective Crystal Oscillator No MOD)							
-33	917-1029-00	.	CAPACITOR, Variable, ceramic, 3.0 to 12.0 UUF . . . . .						1	
			500 V (Used effective Crystal Oscillator MOD-1 thru MOD-6) (ATTACHING PARTS)							
-34	MS35214-13	.	SCREW, Machine, cross recessed pan HD, 4-40 X . . . . .						2	
			5/16 IN. LG, BRS, NI PL (343-0286-00)							
-35	COML	.	WASHER, Flat, 0.125 ID, 0.312 OD, 0.028 IN. THK, . . . . .						2	
			BRS, NI PL Fed Mfr Code 79807 (310-0054-00)							
-36	COML	.	WASHER, Flat, 0.193 ID, 0.250 OD, 0.016 IN. THK, . . . . .						2	
			corpene Fed Mfr Code 79807 (302-0023-00) -----*-----							
-37	502-9582-001	.	POST, Spacing . . . . .						2	
			(ATTACHING PARTS)							
-38	MS35214-11	.	SCREW, Machine, cross recessed pan HD, 4-40 X . . . . .						2	
			3/16 IN. LG, BRS, NI PL (343-0284-00)							
-39	AN936B4	.	WASHER, Lock, 0.123 ID, 0.255 OD, 0.016 IN. THK, . . . . .						2	
			SST (373-8010-00) -----*-----							
-40	RC20GF563K	.	RESISTOR, Fixed, COMP, 56,000 ohm ±10%, 1/2 W . . . . .						1	
			(745-1426-00) (Used effective Crystal Oscillator No MOD, MOD-1, MOD-2)							
			OR							
-40	RC20GF563K	.	RESISTOR, Fixed, COMP, 56,000 ohm ±10%, 1/2 W . . . . .						1	
			(745-1160-00) (Used effective Crystal Oscillator No MOD, MOD-1, MOD-2)							

FIG. & INDEX NO.	PART NO.	DESCRIPTION	UNITS PER ASSY.	USABLE ON CODE		
					1	2
10-40	RC20GF153K	. RESISTOR, Fixed, COMP, 15,000 ohm $\pm 10\%$ , 1/2 W . . . . (745-1401-00) (Used effective Crystal Oscillator MOD-3 thru MOD-6)	1			
-41	913-2750-00	. CAPACITOR, Fixed, ceramic dielectric, 3300 UUF $\pm 20\%$ , . 500 V	4			
-42	CC30UJ101J	. CAPACITOR, Fixed, ceramic dielectric, 100 UUF . . . . $\pm 5\%$ , 500 V (916-4059-00)	1			
-43	RC20GF105K	. RESISTOR, Fixed, COMP, 1.0 MEG $\pm 10\%$ , 1/2 W . . . . (745-1478-00) (Used effective Crystal Oscillator No MOD, MOD-1, MOD-2)	1			
		OR				
-43	RC20BF105K	. RESISTOR, Fixed, COMP, 1.0 MEG $\pm 10\%$ , 1/2 W . . . . (745-1212-00) (Used effective Crystal Oscillator No MOD, MOD-1, MOD-2)	1			
-43	RC20GF104K	. RESISTOR, Fixed, COMP, 100,000 ohm $\pm 10\%$ , 1/2 W . . . . (745-1436-00) (Used effective Crystal Oscillator MOD-3 thru MOD-6)	1			
-44	DM 0084	. COIL, RF, 2.0 UH Fed Mfr Code 99800 (240-0084-00) . .	1			
-45	2102-04-00	. TERMINAL, Lug, PH BRZ Fed Mfr Code 78189 . . . . (304-3110-00)	3			
		(ATTACHING PARTS)				
-46	AN340B4	. NUT, HEX, 4-40 THD, BRS, NI PL (313-0051-00) . . . .	1			
-47	AN936B4	. WASHER, Lock, 0.123 ID, 0.255 OD, 0.016 IN. THK, . . . . SST (373-8010-00)	1			
-48	MS35214-11	. SCREW, Machine, cross recessed pan HD, 4-40 X . . . . 3/16 IN. LG, BRS, NI PL (343-0284-00)	1			
		-----*-----				
-49	RC20GF472K	. RESISTOR, Fixed, COMP, 4700 ohm $\pm 10\%$ , 1/2 W . . . . (745-1380-00)	1			
-50	RC20GF333K	. RESISTOR, Fixed, COMP, 33,000 ohm $\pm 10\%$ , 1/2 W . . . . (745-1415-00)	1			
-50.1	CK63Y103Z	. CAPACITOR, Fixed, ceramic, 10,000 UUF $+100-20\%$ , . . . . 500 V (913-1188-00) (Used effective Crystal Oscillator MOD-3 thru MOD-6)	1			
-50.2	RC20GF102K	. RESISTOR, Fixed, COMP, 1000 ohm $\pm 10\%$ , 1/2 W . . . . (745-1352-00) (Used effective Crystal Oscillator MOD-3 thru MOD-6)	1			
-50.3	RC20GF392K	. RESISTOR, Fixed, COMP, 3900 ohm $\pm 10\%$ , 1/2 W . . . . (745-1377-00) (Used effective Crystal Oscillator MOD-3 thru MOD-6)	1			
-51	ST-1050-34	. TERMINAL, Stud, BRS Fed Mfr Code 16688 . . . . (306-0091-00)	4			
		(ATTACHING PARTS)				
-52	MS35214-11	. SCREW, Machine, cross recessed pan HD, 4-40 X . . . . 3/16 IN. LG, BRS, NI PL (343-0284-00)	4			
-53	AN936B4	. WASHER, Lock, 0.123 ID, 0.255 OD, 0.016 IN. THK . . . . SST (373-8010-00)	4			
		-----*-----				
-54	TS102P01	. SOCKET, Tube, 7 CONT miniature (220-1111-00) . . . . (ATTACHING PARTS)	1			
-55	AN340B4	. NUT, HEX, 4-40 THD, BRS, NI PL (313-0051-00) . . . .	2			
-56	AN936B4	. WASHER, Lock, 0.123 ID, 0.255 OD, 0.016 IN. THK, . . . . SST (373-8010-00)	2			
-57	MS35214-12	. SCREW, Machine, cross recessed pan HD, 4-40 X . . . . 1/4 IN. LG, BRS, NI PL (343-0285-00)	1			
-57.1	ST-1050-34	. TERMINAL, Stud, BRS Fed Mfr Code 16688 (306-0091-00) . (Used effective Crystal Oscillator MOD-3 thru MOD-6)	1			

Section II  
Group Assembly Parts List

T.O. 12R2-4-6-4

FIG. & INDEX NO.	PART NO.	DESCRIPTION							UNITS PER ASSY.	USABLE ON CODE
		1	2	3	4	5	6	7		
10-57.2	2102-04-00	.	TERMINAL, Lug, PH BRZ Fed Mfr Code 78189 . . . . .						1	
			(304-3110-00) (Used effective Crystal Oscillator MOD-3 thru MOD-6)							
			-----*-----							
-58	506-6431-002	.	CHASSIS, Oscillator . . . . .						1	
			(ATTACHING PARTS)							
-59	MS35214-12	.	SCREW, Machine, cross recessed pan HD, 4-40 X . . . . .						2	
			1/4 IN. LG, BRS, NI PL (343-0285-00)							
-60	AN936B4	.	WASHER, Lock, 0.123 ID, 0.255 OD, 0.016 IN. THK, . . . . .						2	
			SST (373-8010-00)							
			-----*-----							
-61	506-6501-004	.	PLATE, Mounting, autopositioner . . . . .						1	
			(ATTACHING PARTS)							
-62	MS35214-24	.	SCREW, Machine, cross recessed pan HD, 6-32 X . . . . .						1	
			5/16 IN. LG, BRS, NI PL (343-0329-00)							
-63	AN936B6	.	WASHER, Lock, 0.150 ID, 0.317 OD, 0.020 IN. THK, . . . . .						1	
			SST (373-8020-00)							
-64	506-6435-002	.	POST, Mounting, cover . . . . .						3	
			-----*-----							
-65	139-0360-00	.	MARKER, Cable Fed Mfr Code 87148 . . . . .						2	
			(ATTACHING PARTS)							
-66	MS35214-2	.	SCREW, Machine, cross recessed pan HD, 2-56 X . . . . .						2	
			3/16 IN. LG, BRS, NI PL (343-0298-00)							
-67	AN936A2	.	WASHER, Lock, 0.095 ID, 0.185 OD, 0.012 IN. THK, . . . . .						2	
			SST (373-8500-00)							
			-----*-----							
-68	R41-1140	.	RELAY, Armature, 1A CONT arrangement . . . . .						2	
			Fed Mfr Code 70703 (410-0075-00)							
			(ATTACHING PARTS)							
-69	MS35214-11	.	SCREW, Machine, cross recessed pan HD, 4-40 X . . . . .						10	
			3/16 IN. LG, BRS, NI PL (343-0284-00)							
-70	AN936B4	.	WASHER, Lock, 0.123 ID, 0.255 OD, 0.016 IN. THK . . . . .						10	
			SST (373-8010-00)							
			-----*-----							
-71	504-5729-002	.	BRACKET, Relay . . . . .						2	
			(ATTACHING PARTS)							
-72	MS35214-11	.	SCREW, Machine, cross recessed pan HD, 4-40 X . . . . .						2	
			3/16 IN. LG, BRS, NI PL (343-0284-00)							
-73	MS35214-12	.	SCREW, Machine, cross recessed pan HD, 4-40 X . . . . .						2	
			1/4 IN. LG, BRS, NI PL (343-0285-00)							
-74	AN936B4	.	WASHER, Lock, 0.123 ID, 0.255 OD, 0.016 IN. THK, . . . . .						4	
			SST (373-8010-00)							
-75	2102-04-00	.	TERMINAL, Lug, PH BRZ Fed Mfr Code 78189 . . . . .						1	
			(304-3110-00)							
-76	1066	.	CLAMP, Cable Fed Mfr Code 71785 (139-0264-00) . . . . .						1	
			-----*-----							
-77	503-5079-002	.	PAWL, For autopositioner . . . . .						2	
			(ATTACHING PARTS)							
-78	5133-12-S	.	RING, Retainer, STL, CAD PL Fed Mfr Code . . . . .						2	
			79136 (340-0087-00)							
			-----*-----							
-79	ST-1050-34	.	TERMINAL, Stud, BRS, tin dipped Fed Mfr Code . . . . .						5	
			16688 (306-0091-00)							
			(ATTACHING PARTS)							
-80	MS35214-12	.	SCREW, Machine, cross recessed pan HD, 4-40 X . . . . .						5	
			1/4 IN. LG, BRS, NI PL (343-0285-00)							

FIG. & INDEX NO.	PART NO.	DESCRIPTION	UNITS PER ASSY.	USABLE ON CODE		
					1	2
10-81	AN936B4	. . WASHER, Lock, 0.123 ID, 0.255 OD, 0.016 IN. . . . . THK, SST (373-8010-00) -----*-----	5			
-82	811	. . GROMMET, Synthetic rubber or neoprene, fits . . . . . 7/16 IN. DIA hole Fed Mfr Code 75543 (201-0075-00)	1			
-83	506-6445-002	. . GEAR, Spur, 22 teeth . . . . . (ATTACHING PARTS)	1			
-84	COML	. . PIN, Spring, SST, 0.062 IN. DIA X 5/16 IN. LG . . . . . Fed Mfr Code 72962 (311-0418-00) -----*-----	1			
-85	500-1098-003	. . WASHER, Flat, 0.260 ID, 0.531 OD, 0.020 IN. THK, . . . . . SST	1			
-86	504-7200-002	. . GEAR, Spur, 72 teeth . . . . .	1			
-87	502-7029-002	. . SPRING, Clutch . . . . .	1			
-88	502-1825-002	. . CLUTCH, Friction, W/clutch lining . . . . .	1			
-89	5100-25-S	. . RING, Retainer, STL, CAD PL Fed Mfr Code 79136 . . . . . (340-0025-00)	1			
-90	COML	. . NUT, HEX, 5/16-32, SST Fed Mfr Code 77250 . . . . . (334-0264-00)	1			
-91	503-4920-001	. . FLANGE, Bearing, for use W/clutch, SST . . . . .	1			
-92	502-1164-002	. . SPACER, Clutch, 0.859 ID, 1.187 OD, 0.070 IN. THK, . . . . . natural linen base bakelite	1			
-93	502-1132-002	. . DRUM, For mechanical clutch . . . . .	1			
-94	503-9725-002	. . FLANGE, Hub, SST . . . . .	1			
-95	506-6449-002	. . SHAFT, Autopositioner . . . . .	1			
-96	506-6444-002	. . GEAR, Spur, 24 teeth . . . . . (ATTACHING PARTS)	1			
-97	COML	. . PIN, Spring, SST, 0.062 IN. DIA X 5/16 IN. LG . . . . . Fed Mfr Code 72962 (311-0418-00) -----*-----	1			
-98	500-1098-003	. . WASHER, Flat, 0.260 ID, 0.531 OD, 0.020 IN. THK, . . . . . SST	1			
-99	504-7200-002	. . GEAR, Spur, 72 teeth . . . . .	1			
-100	502-7030-002	. . SPRING, Clutch . . . . .	2			
-101	502-1825-002	. . CLUTCH, Friction, W/clutch lining . . . . .	1			
-102	5100-25-S	. . RING, Retainer, STL, CAD PL Fed Mfr Code 79136 . . . . . (340-0025-00)	1			
-103	COML	. . NUT, HEX, 5/16-32, SST Fed Mfr Code 77250 . . . . . (334-0264-00)	1			
-104	503-4920-001	. . FLANGE, Bearing, for use W/clutch, SST . . . . .	1			
-105	502-1164-002	. . SPACER, clutch, 0.859 ID, 1.187 OD, 0.070 IN. . . . . THK, natural linen base bakelite	1			
-106	502-1132-002	. . DRUM, For mechanical clutch . . . . .	1			
-107	503-9725-002	. . FLANGE, Hub, SST . . . . .	1			
-108	506-6446-002	. . SHAFT, Autopositioner . . . . .	1			
-109	F-572-2	. . BEARING, Sleeve, porous BRZ Fed Mfr Code . . . . . 90646 (309-0121-00)	2			
-110	F-347-4V	. . BEARING, Sleeve, porous BRZ Fed Mfr Code . . . . . 90646 (309-0125-00)	2			
-110.1	F-347	. . BEARING, Sleeve, porous BRZ Fed Mfr Code . . . . . 90646 (309-0123-00)	4			
-111	F-346	. . BEARING, Sleeve, porous BRZ Fed Mfr Code . . . . . 90646 (309-0122-00)	2			
-112	506-6494-003	. . PLATE, Autopositioner . . . . .	1			
* -113	504-0740-003	. . WASHER, Flat, 0.196 ID, 0.375 OD, 0.005 IN. THK, BRS . . . . .	AR			

\*Use as needed to fit individual requirements.

Section II  
Group Assembly Parts List

T.O. 12R2-4-6-4

FIG. & INDEX NO.	PART NO.	DESCRIPTION							UNITS PER ASSY.	USABLE ON CODE
		1	2	3	4	5	6	7		
10-114	5133-18-S	.	RING, Retainer, STL, CAD PL	Fed Mfr Code 79136 . . .					12	
			(340-0090-00)							
-115	5133-25-S	.	RING, Retainer, STL, CAD PL	Fed Mfr Code 79136 . . .					4	
			(340-0091-00)							
-116	506-6450-002	.	GEAR, Spur, 144 teeth . . . . .						1	
			(ATTACHING PARTS)							
-117	COML	.	PIN, Spring, SST, 0.062 IN. DIA X 0.250 IN. LG . . . . .						1	
			Fed Mfr Code 72962 (311-0417-00)							
			-----*-----							
-118	506-6451-002	.	SHAFT, Gear . . . . .						1	
-119	506-6455-002	.	GEAR, Spur, 72 teeth . . . . .						1	
			(ATTACHING PARTS)							
-120	COML	.	PIN, Spring, SST, 0.062 IN. DIA X 0.250 IN. LG . . . . .						1	
			Fed Mfr Code 72962 (311-0417-00)							
			-----*-----							
-121	506-6451-002	.	SHAFT, Gear . . . . .						1	
-122	506-6457-002	.	GEAR, Spur, 72 teeth . . . . .						1	
			(ATTACHING PARTS)							
-123	COML	.	PIN, Spring, SST, 0.062 IN. DIA X 0.250 IN. LG . . . . .						1	
			Fed Mfr Code 72962 (311-0417-00)							
			-----*-----							
-124	506-6451-002	.	SHAFT, Gear . . . . .						1	
-125	506-6460-002	.	GEAR, Spur, 72 teeth . . . . .						1	
			(ATTACHING PARTS)							
-126	COML	.	PIN, Spring, SST, 0.062 IN. DIA X 0.250 IN. LG . . . . .						1	
			Fed Mfr Code 72962 (311-0417-00)							
			-----*-----							
-127	506-6451-002	.	SHAFT, Gear . . . . .						1	
-128	506-6466-002	.	GEAR, Spur, 27 teeth . . . . .						1	
			(ATTACHING PARTS)							
-129	COML	.	PIN, Spring, SST, 0.062 IN. DIA X 5/16 IN. LG . . . . .						1	
			Fed Mfr Code 72962 (311-0418-00)							
			-----*-----							
-130	506-6451-002	.	SHAFT, Gear . . . . .						1	
-131	504-7537-002	.	CLAMP, Shaft . . . . .						2	
			(ATTACHING PARTS)							
-132	COML	.	NUT, Square, 4-40 THD, STL, CAD PL Fed Mfr Code . .						2	
			77250 (334-0485-00)							
-133	COML	.	WASHER, Lock, 0.125 ID, 0.187 OD, 0.312 IN. THK, . . .						2	
			SST Fed Mfr Code 78189 (310-3340-00)							
-134	324-0300-00	.	SCREW, Cap, socket HD, flat FIL H, W/multiple . . . .						2	
			spline recess, 4-40 THD, 1/2 IN. LG, STL, CAD PL							
			-----*-----							
-135	506-6463-002	.	GEAR, Spur, switch crystal, 72 teeth . . . . .						1	
-136	506-6472-002	.	GEAR, Spur, switch bank, 42 teeth . . . . .						1	
-137	506-6433-002	.	SHAFT, Switch, crystal . . . . .						1	
-138	506-6434-002	.	SHAFT, Switch, bank . . . . .						1	
-139	506-6468-002	.	GEAR, Spur, 66 teeth . . . . .						1	
			(ATTACHING PARTS)							
-140	COML	.	PIN, Spring, SST, 0.062 IN. DIA X 0.250 IN. LG . . . . .						1	
			Fed Mfr Code 72962 (311-0417-00)							
			-----*-----							
-141	506-6451-002	.	SHAFT, Gear . . . . .						1	
-142	2854	.	GROMMET, Synthetic rubber or neoprene, fits 7/16 . . .						1	
			IN. DIA hole Fed Mfr Code 70485 (201-0020-00)							
-143	811	.	GROMMET, Synthetic rubber or neoprene, fits 7/16 IN. .						1	
			DIA hole Fed Mfr Code 75543 (201-0075-00)							

FIG. & INDEX NO.	PART NO.	DESCRIPTION	UNITS PER ASSY.	USABLE ON CODE		
					1	2
10-144	C-25A-512	. MOTOR, 27.5 VDC Fed Mfr Code 25140 . . . . . (230-0199-00)	1			
		OR				
-144	R-125-100-PM-0235	. MOTOR, DC, 27.5 VDC, intermittent operation . . . . . Fed Mfr Code 77771 (230-0235-00)	1			
		(ATTACHING PARTS)				
-145	MS35214-12	. SCREW, Machine, cross recessed pan HD, 4-40 X 1/4 IN. . . . . LG, BRS, NI PL (343-0285-00)	2			
-146	AN936B4	. WASHER, Lock, 0.123 ID, 0.255 OD, 0.016 IN. THK, . . . . . SST (373-8010-00)	2			
		-----*-----				
-147	506-6437-002	. PLATE, Mounting, motor . . . . . (ATTACHING PARTS)	1			
-148	MS35214-12	. SCREW, Machine, cross recessed pan HD, 4-40 X . . . . . 1/4 IN. LG, BRS, NI PL (343-0285-00)	3			
-149	AN936B4	. WASHER, Lock, 0.123 ID, 0.255 OD, 0.016 IN. THK, . . . . . SST (373-8010-00)	3			
		-----*-----				
-149.1	306-0234-00	. TERMINAL, Stud, BRS (Used effective Crystal . . . . . Oscillator MOD-5 and MOD-6)	2			
		(ATTACHING PARTS)				
-149.2	MS35214-14	. SCREW, Machine, cross recessed pan HD, 4-40 X . . . . . 3/8 IN. LG, BRS, NI PL (343-0287-00)	2			
-149.3	AN936B4	. WASHER, Lock, 0.123 ID, 0.255 OD, 0.016 IN. THK, . . . . . SST (373-8010-00)	2			
		-----*-----				
-150	506-6442-002	. BRACKET, Motor support . . . . . (ATTACHING PARTS)	1			
-151	MS35214-11	. SCREW, Machine, cross recessed pan HD, 4-40 X . . . . . 3/16 IN. LG, BRS, NI PL (343-0284-00)	2			
-152	AN936B4	. WASHER, Lock, 0.123 ID, 0.255 OD, 0.016 IN. THK, . . . . . SST (373-8010-00)	2			
		-----*-----				
-153	55977-MF	. SWITCH SECTION, Rotary, 24 position Fed Mfr Code . . . . . 76854 (269-1616-00)	1			
		(ATTACHING PARTS)				
-154	COML	. NUT, HEX, 5-40 THD, BRS, NI PL Fed Mfr Code . . . . . 77250 (334-0251-00)	2			
-155	506-6423-002	. POST, Spacing . . . . .	2			
		-----*-----				
-156	506-6427-002	. BRACKET, Switch . . . . . (ATTACHING PARTS)	1			
-157	AN340B4	. NUT, HEX, 4-40 THD, BRS, NI PL (313-0051-00) . . . . .	2			
-158	506-5902-003	. WASHER, Lock, 0.120 ID, 0.230 OD, 0.025 IN. THK, . . . . . BRS, NI PL	2			
-159	MS35214-17	. SCREW, Machine, cross recessed pan HD, 4-40 X . . . . . 5/8 IN. LG, BRS, NI PL (343-0290-00)	2			
		-----*-----				
-160	4007-6	. TERMINAL, Lug, COP Fed Mfr Code 77147 . . . . . (304-0016-00)	1			
-161	506-6420-002	. POST, Spacing . . . . .	2			
-162	506-5903-003	. WASHER, Lock, 0.136 ID, 0.187 OD, 0.016 IN. THK, . . . . . BRS, NI PL	1			
-163	55976-MF	. SWITCH SECTION, Rotary, 24 position Fed Mfr Code . . . . . 76854 (269-1618-00)	6			
-164	506-6421-002	. POST, Spacing . . . . .	12			
-165	53453-MF	. SWITCH SECTION, Rotary, 24 position Fed Mfr Code . . . . . 76854 (269-1619-00)	6			

Section II  
Group Assembly Parts List

T.O. 12R2-4-6-4

FIG. & INDEX NO.	PART NO.	DESCRIPTION							UNITS PER ASSY.	USABLE ON CODE	
		1	2	3	4	5	6	7			
10-166	506-6422-002	.								10	
-167	506-6424-002	.								2	
-167.1	290-2036-00	.								1	
	290-2029-00	.								1	
	290-3542-00	.								1	
	290-2378-00	.								1	
	290-2056-00	.								1	
	290-2020-00	.								1	
	290-2002-00	.								1	
	290-2012-00	.								1	
	290-2000-00	.								1	
	290-2088-00	.								1	
	290-2086-00	.								1	
	290-2025-00	.								1	
	290-2031-00	.								1	
	290-2018-00	.								1	
	290-2006-00	.								1	
	290-2362-00	.								1	
	290-2152-00	.								1	
	290-2169-00	.								1	
	290-2785-00	.								1	
	290-2191-00	.								1	
	290-2161-00	.								1	
	290-2117-00	.								1	
	290-2118-00	.								1	
	290-2197-00	.								1	
	290-2177-00	.								1	
	290-2174-00	.								1	
	290-2114-00	.								1	
	290-2084-00	.								1	
	290-2158-00	.								1	
	290-2786-00	.								1	
	290-2153-00	.								1	
	290-2154-00	.								1	
	290-2027-00	.								1	
	290-2817-00	.								1	
	290-2172-00	.								1	
	290-2403-00	.								1	
	290-2232-00	.								1	
	290-2078-00	.								1	
	290-2758-00	.								1	
	290-2289-00	.								1	
	290-2245-00	.								1	
	290-2246-00	.								1	
	290-2243-00	.								1	
	290-2244-00	.								1	
	290-2187-00	.								1	
	290-2288-00	.								1	
	290-2226-00	.								1	
	290-2164-00	.								1	
	290-2291-00	.								1	
	290-2287-00	.								1	
	290-2737-00	.								1	
	290-2157-00	.								1	
	290-2365-00	.								1	
	290-2280-00	.								1	
	290-2215-00	.								1	

FIG. & INDEX NO.	PART NO.	DESCRIPTION							UNITS PER ASSY.	USABLE ON CODE	
		1	2	3	4	5	6	7			
10-167.1	290-2787-00	.								1	
	290-2081-00	.								1	
	290-2791-00	.								1	
	290-2033-00	.								1	
	290-2307-00	.								1	
	290-2308-00	.								1	
	290-2812-00	.								1	
	290-2284-00	.								1	
	290-2290-00	.								1	
	290-2285-00	.								1	
	290-2283-00	.								1	
	290-2278-00	.								1	
	290-2297-00	.								1	
	290-2222-00	.								1	
	290-2293-00	.								1	
	290-2735-00	.								1	
	290-2800-00	.								1	
	290-2159-00	.								1	
	290-2348-00	.								1	
	290-2349-00	.								1	
	290-2335-00	.								1	
	290-2336-00	.								1	
	290-2337-00	.								1	
	290-2342-00	.								1	
	290-2309-00	.								1	
	290-2343-00	.								1	
	290-2340-00	.								1	
	290-2344-00	.								1	
	290-2338-00	.								1	
	290-2317-00	.								1	
290-2341-00	.								1		
290-2825-00	.								1		
290-2405-00	.								1		
290-2339-00	.								1		
290-2801-00	.								1		
290-2279-00	.								1		
290-2357-00	.								1		
290-2358-00	.								1		
290-2356-00	.								1		
290-2404-00	.								1		
290-2354-00	.								1		
290-2353-00	.								1		
290-2826-00	.								1		
290-2355-00	.								1		
-168	CC20CK010C	.								6	
-169	506-6481-003	.								1	
-170	AN340B4	.								4	
-171	506-5902-003	.								4	
-172	MS35214-17	.								4	
-173	506-6436-002	.								2	



Section II  
Group Assembly Parts List

T.O. 12R2-4-6-4

FIG. & INDEX NO.	PART NO.	DESCRIPTION							UNITS PER ASSY.	USABLE ON CODE
		1	2	3	4	5	6	7		
10-		(ATTACHING PARTS)								
-174	MS35214-12	. SCREW, Machine, cross recessed pan HD, 4-40 X . . . . .							2	
		1/4 IN. LG, BRS, NI PL (343-0285-00)								
-175	MS35214-11	. SCREW, Machine, cross recessed pan HD, 4-40 X . . . . .							2	
		3/16 IN. LG, BRS, NI PL (343-0284-00)								
-176	AN936B4	. WASHER, Lock, 0.123 ID, 0.255 OD, 0.016 IN. THK, . . . .							4	
		SST (373-8010-00)								
		-----*								
-177	2102-04-00	. TERMINAL, Lug, PH BRZ Fed Mfr Code 78189 . . . . .							1	
		(304-3110-00)								
-178	CC20CK0R5C	. CAPACITOR, Fixed, ceramic dielectric, 0.5 UUF . . . . .							2	
		±1/4 UUF, 500 V (916-0067-00)								
-179	55909-H	. SWITCH SECTION, Rotary, 12 position Fed Mfr Code . .							1	
		76854 (269-1615-00)								
		(ATTACHING PARTS)								
-180	AN340B4	. NUT, HEX, 4-40, BRS, NI PL (313-0051-00) . . . . .							1	
-181	MS35214-16	. SCREW, Machine, cross recessed pan HD, 4-40 X . . . . .							1	
		1/2 IN. LG, BRS, NI PL (343-0289-00)								
-182	MS35214-17	. SCREW, Machine, cross recessed pan HD, 4-40 X . . . . .							1	
		5/8 IN. LG, BRS, NI PL (343-0290-00)								
		-----*								
-183	506-6419-002	. POST, Spacing . . . . .							2	
-184	506-6418-002	. PLATE, Mounting . . . . .							1	
		(ATTACHING PARTS)								
-185	MS35214-11	. SCREW, Machine, cross recessed pan HD, 4-40 X . . . . .							2	
		3/16 IN. LG, BRS, NI PL (343-0284-00)								
		-----*								
-186	506-6417-002	. POST, Mounting, switch . . . . .							3	
-187	506-6486-003	. PLATE, Connector . . . . .							1	
		(ATTACHING PARTS)								
-188	MS35214-12	. SCREW, Machine, cross recessed pan HD, 4-40 X . . . . .							2	
		1/4 IN. LG, BRS, NI PL (343-0285-00)								
-189	AN936B4	. WASHER, Lock, 0.123 ID, 0.255 OD, 0.016 IN. THK, . . . .							2	
		SST (373-8010-00)								
		-----*								
-190	RW30G101	. . RESISTOR, Fixed, WW, 100 ohm ±5%, 8 W . . . . .							1	
		(747-0072-00) (Used effective Crystal Oscillator No MOD, MOD-1)								
-190	RW30G121	. . RESISTOR, Fixed, WW, 120 ohm ±5%, 8 W . . . . .							1	
		(747-0073-00) (Used effective Crystal Oscillator MOD-2 thru MOD-6)								
		(ATTACHING PARTS)								
-191	MS35214-24	. . SCREW, Machine, cross recessed pan HD, 6-32 X . . . .							1	
		5/16 IN. LG, BRS, NI PL (343-0329-00)								
-192	COML	. . WASHER, Flat, 0.147 ID, 0.375 OD, 0.032 IN. THK, . .							1	
		BRS, NI PL Fed Mfr Code 79807 (310-0056-00)								
-193	COML	. . WASHER, Nonmetallic, mica, 0.156 ID, 0.437 OD, . . . .							3	
		0.025 IN. THK Fed Mfr Code 79807 (302-0086-00)								
-194	COML	. . WASHER, Nonmetallic, mica, 0.203 ID, 0.437 OD, . . . .							3	
		0.025 IN. THK Fed Mfr Code 79807 (302-0087-00)								
-195	COML	. . WASHER, Flat, 0.203 ID, 0.437 OD, 0.038 IN. THK . . .							1	
		BRS, NI PL Fed Mfr Code 79807 (310-0059-00)								
		-----*								
-196	506-6428-002	. . POST, Mounting, resistor . . . . .							1	

FIG. & INDEX NO.	PART NO.	DESCRIPTION							UNITS PER ASSY.	USABLE ON CODE
		1	2	3	4	5	6	7		
10-		(ATTACHING PARTS)								
-197	MS35214-23	. .	SCREW, Machine, cross recessed pan HD,	. . . . .				1		
			6-32 X 1/4 IN. LG, BRS, NI PL (343-0328-00)							
-198	AN936B6	. .	WASHER, Lock, 0.150 ID, 0.317 OD, 0.020 IN.	. . . . .				1		
			THK, SST (373-8020-00)							
			-----*-----							
-199	2102-04-00	. .	TERMINAL, Lug, PH BRZ Fed Mfr Code 78189	. . . . .				2		
			(304-3110-00)							
			(ATTACHING PARTS)							
-200	MS35198-12	. .	SCREW, Machine, cross recessed FH, 4-40 X	. . . . .				2		
			1/4 IN. LG, BRS, NI PL (342-0152-00)							
-201	AN936B4	. .	WASHER, Lock, 0.123 ID, 0.255 OD, 0.016 IN.	. . . . .				2		
			THK, SST (373-8010-00)							
-202	AN340B4	. .	NUT, HEX, 4-40 THD, BRS, NI PL (313-0051-00)	. . . . .				2		
			-----*-----							
-203	126-806-1001	. .	CONNECTOR, Plug, 20 RD male CONT Fed Mfr	. . . . .				2		
			Code 89709 (372-1069-00)							
			(ATTACHING PARTS)							
-204	MS35214-16	. .	SCREW, Machine, cross recessed pan HD, 4-40 X	. . . . .				4		
			1/2 IN. LG, BRS, NI PL (343-0289-00)							
			(Used effective Crystal Oscillator No MOD,							
			MOD-1 thru MOD-5)							
-204	MS35198-16	. .	SCREW, Machine, cross recessed FH, 4-40 X	. . . . .				4		
			1/2 IN. LG, BRS, NI PL (342-0156-00) (Used							
			effective Crystal Oscillator MOD-6)							
-205	AN340B4	. .	NUT, HEX, 4-40 THD, BRS, NI PL (313-0051-00)	. . . . .				4		
			-----*-----							
-206	HP-4N	. .	CLAMP, Cable Fed Mfr Code 09922 (150-1541-00)	. . . . .				2		
			(ATTACHING PARTS)							
-207	COML	. .	SCREW, Machine, cross recessed pan HD, 4-36 X	. . . . .				2		
			1-1/8 IN. LG, SST Fed Mfr Code 77250							
			(343-0154-00)							
-208	COML	. .	WASHER, Flat, 0.125 ID, 0.312 OD, 0.028 IN. THK	. . . . .				2		
			BRS, NI PL Fed Mfr Code 79807							
			(310-0054-00)							
-209	AN340B4	. .	NUT, HEX, 4-40 THD, BRS, NI PL (313-0051-00)	. . . . .				2		
			-----*-----							
-210	HP-3N	. .	CLAMP, Cable Fed Mfr Code 09922 (150-1540-00)	. . . . .				1		
			(ATTACHING PARTS)							
-211	MS35198-14	. .	SCREW, Machine, cross recessed FH, 4-40 X	. . . . .				1		
			3/8 IN. LG, BRS, NI PL (342-0154-00)							
-212	COML	. .	WASHER, Flat, 0.125 ID, 0.312 OD, 0.028 IN. THK,	. . . . .				1		
			BRS, NI PL Fed Mfr Code 79807 (310-0054-00)							
-213	AN340B4	. .	NUT, HEX, 4-40 THD, BRS, NI PL (313-0051-00)	. . . . .				1		
			-----*-----							
-214	506-6487-003	. .	PLATE, Connector (Used effective Crystal	. . . . .				1		
			Oscillator No MOD, MOD-1 thru MOD-5)							
-214	543-3478-003	. .	PLATE, Connector (Used effective Crystal	. . . . .				1		
			Oscillator MOD-6)							
-215	CL-440-2	. . .	NUT, HEX, 4-40 THD, STL, CAD PL Fed Mfr	. . . . .				5		
			Code 81937 (334-0063-00)							
-216	506-6488-003	. . .	PLATE, Connector, AL, 9/16 X 5.967 X 7.812 IN.	. . . . .				1		
			(Used effective Crystal Oscillator No							
			MOD, MOD-1 thru MOD-5)							
-216	542-3279-002	. . .	PLATE, Connector, AL, 9/16 X 5.967 X 7.812 IN.	. . . . .				1		
			(Used effective Crystal Oscillator MOD-6)							

Section II  
Group Assembly Parts List

T.O. 12R2-4-6-4

FIG. & INDEX NO.	PART NO.	DESCRIPTION							UNITS PER ASSY.	USABLE ON CODE	
		1	2	3	4	5	6	7			
10-217	F-346	.	BEARING, Sleeve, BRZ	Fed Mfr Code 90646	.	.	.	.	4		
			(309-0122-00)								
-218	F-347	.	BEARING, Sleeve, BRZ	Fed Mfr Code 90646	.	.	.	.	5		
			(309-0123-00)								
-219	F-347-4V	.	BEARING, Sleeve, BRZ	Fed Mfr Code 90646	.	.	.	.	1		
			(309-0125-00)								
-220	506-6492-003	.	PLATE, Gear	.	.	.	.	.	1		
11-	506-5777-005		SERVO UNIT, Tuning (See figure 3-2 for next higher . . . . .							REF	
			ASSY) (Effective Tuning Servo No MOD, MOD-1 thru								
			MOD-4)								
-1	506-6093-004	.	COVER, Single module	.	.	.	.	.	1		
			(ATTACHING PARTS)								
	506-6072-002	.	SCREW, Captive, cross recessed FIL H, 4-40 X 3/8	.	.	.	.	.	2		
			IN. LG, SST								
	AN936B4	.	WASHER, Lock, 0.123 ID, 0.255 OD, 0.016 IN. THK, SST	.	.	.	.	.	2		
			(373-8010-00)								
			-----*								
-2	506-6127-003	.	CAPACITOR-RESISTOR ASSY, Servo	.	.	.	.	.	1		
			(ATTACHING PARTS)								
	MS35214-12	.	SCREW, Machine, cross recessed pan HD, 4-40 X	.	.	.	.	.	4		
			1/4 IN. LG, BRS, NI PL (343-0285-00)								
			-----*								
-3	RC20GF105K	.	RESISTOR, Fixed, COMP, 1.0 MEG ±10%, 1/2 W.	.	.	.	.	.	1		
			(745-1478-00)								
-4	96P10303S4	.	CAPACITOR, Fixed, paper dielectric, 10,000 UUF	.	.	.	.	.	2		
			±20%, 300 V Fed Mfr Code 56289								
			(931-2556-00)								
-5	96P68203S4	.	CAPACITOR, Fixed, paper dielectric, 6800 UUF	.	.	.	.	.	2		
			±20%, 300 V Fed Mfr Code 56289 (931-2555-00)								
-6	VCM15E221G	.	CAPACITOR, Fixed, mica, 220 UUF ±2%, 500 V	.	.	.	.	.	1		
			Fed Mfr Code 72136 (912-0517-00)								
-7	RC20BF683K	.	RESISTOR, Fixed, COMP, 68,000 ohm ±10%, 1/2 W	.	.	.	.	.	1		
			(745-1163-00) (Used effective Tuning Servo No								
			MOD, MOD-1)								
-7	RC20GF333K	.	RESISTOR, Fixed, COMP, 33,000 ohm ±10%, 1/2 W	.	.	.	.	.	1		
			(745-1415-00) (Used effective Tuning Servo								
			MOD-2 thru MOD-4)								
-8	RC20GF224K	.	RESISTOR, Fixed, COMP, 220,000 ohm ±10%, 1/2 W	.	.	.	.	.	2		
			(745-1450-00)								
-9	RC20GF122K	.	RESISTOR, Fixed, COMP, 1200 ohm ±10%, 1/2 W	.	.	.	.	.	1		
			(745-1356-00)								
-10	RC20GF564K	.	RESISTOR, Fixed, COMP, 560,000 ohm ±10%, 1/2 W	.	.	.	.	.	2		
			(745-1468-00)								
-11	RC20GF474K	.	RESISTOR, Fixed, COMP, 0.47 MEG ±10%, 1/2 W	.	.	.	.	.	1		
			(745-1464-00)								
-12	RC32GF221K	.	RESISTOR, Fixed, COMP, 220 ohms ±10%, 1 W	.	.	.	.	.	1		
			(745-3324-00)								
-13	RC20BF152J	.	RESISTOR, Fixed, COMP, 1500 ohms ±5%, 1/2 W	.	.	.	.	.	1		
			(745-1092-00) (Used effective Tuning Servo No								
			MOD, MOD-1 MOD-2)								
-13	RC20GF152J	.	RESISTOR, Fixed, COMP, 1500 ohms ±5%, 1/2 W	.	.	.	.	.	1		
			(745-1358-00) (Used effective Tuning Servo								
			MOD-3 and MOD-4)								

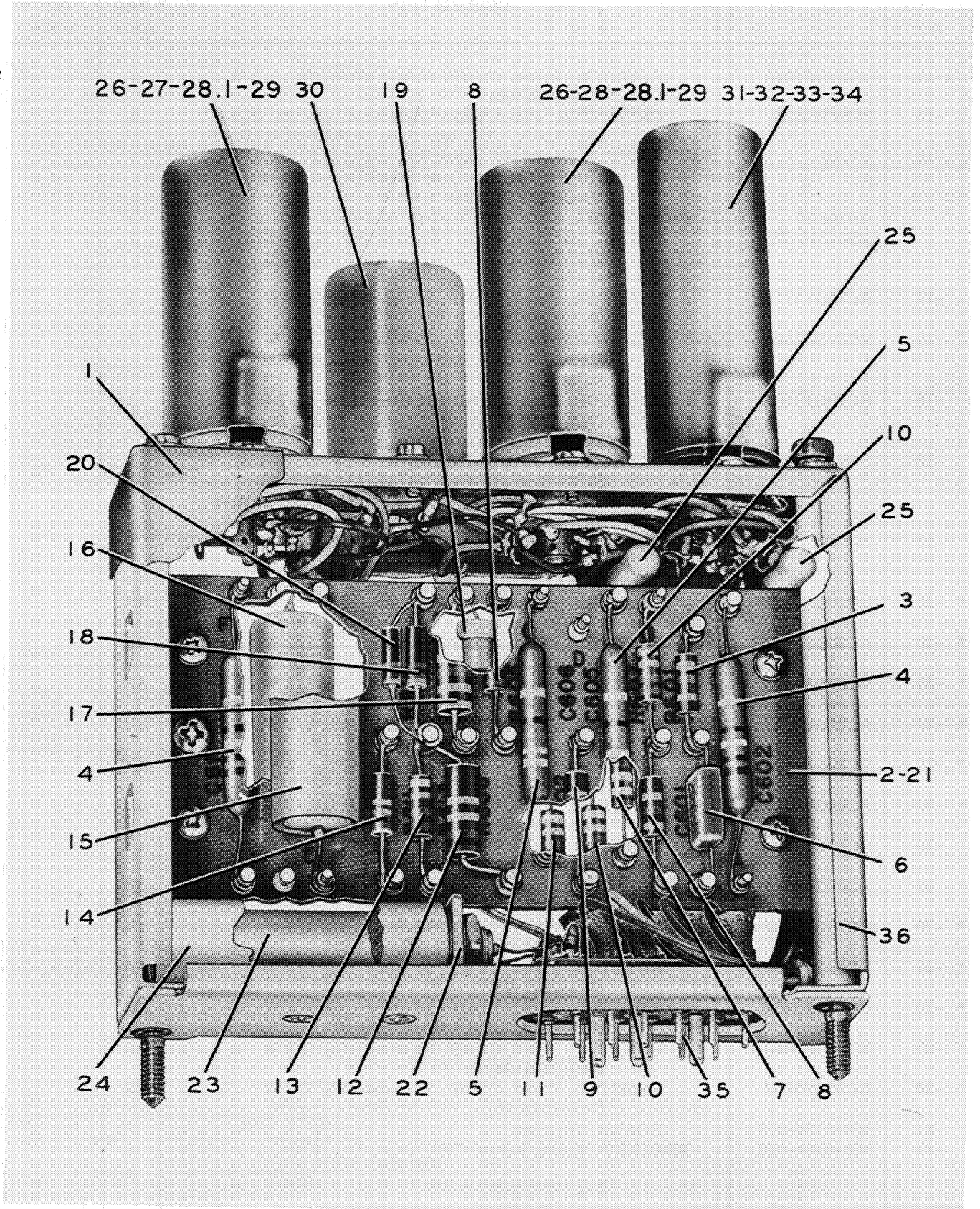


Figure 11. Tuning Servo Unit (No Mod, Mod-1 thru Mod-4)

Section II  
Group Assembly Parts List

T.O. 12R2-4-6-4

FIG. & INDEX NO.	PART NO.	DESCRIPTION							UNITS PER ASSY.	USABLE ON CODE
		1	2	3	4	5	6	7		
11-14	RC20GF753J	.	.	RESISTOR, Fixed, COMP, 75,000 ohms ±5%, 1/2 W . . .					1	
				(745-1431-00)						
-15	96P47453S2	.	.	CAPACITOR, Fixed, paper dielectric, 470,000 UUF. . .					1	
				±5%, 100 V Fed Mfr Code 56289 (931-0753-00)						
-16	P1110	.	.	CAPACITOR, Fixed, paper dielectric, 0.33 UF ±10%, . . .					1	
				120 V Fed Mfr Code 56289 (931-2391-00)						
				(ATTACHING PARTS)						
	AN340B6	.	.	NUT, HEX, 6-32, BRS, NI PL (313-0053-00) . . . . .					1	
	MS35214-24	.	.	SCREW, Machine, cross recessed pan HD, 6-32 X . . .					1	
				5/16 IN. LG, BRS, NI PI (343-0329-00)						
				-----*-----						
-17	RC32GF471K	.	.	RESISTOR, Fixed, COMP, 470 ohms ±10%, 1 W . . . . .					1	
				(745-3338-00)						
-18	RC20BF100J	.	.	RESISTOR, Fixed, COMP, 10 ohms ±5%, 1/2 W . . . . .					1	
				(745-1001-00) (Used effective Tuning Servo No MOD)						
-18	RC20GF150K	.	.	RESISTOR, Fixed, COMP, 15 ohms ±10%, 1/2 W . . . . .					1	
				(745-1275-00) (Used effective Tuning Servo MOD-1 thru MOD-4)						
-19	PP8B30A2	.	.	CAPACITOR, Fixed, electrolytic, 8 UF +50% -15%, . . .					1	
				30 V Fed Mfr Code 21250 (184-7003-00)						
				(Used effective Tuning Servo No MOD, MOD-1 thru MOD-3)						
-19	29F473	.	.	CAPACITOR, Fixed, electrolytic, 4.5 UUF 50 W VDC . . .					1	
				Fed Mfr Code 24446 (184-7037-00)						
				(Used effective Tuning Servo MOD-4)						
* -20	RC20GF120J	.	.	RESISTOR, Fixed, COMP, 12 ohms ±5%, 1/2 W . . . . .					AR	
				(745-1271-00)						
* -20	RC20GF130J	.	.	RESISTOR, Fixed, COMP, 13 ohms ±5%, 1/2 W . . . . .					AR	
				(745-1273-00)						
* -20	RC20GF150J	.	.	RESISTOR, Fixed, COMP, 15 ohms ±5%, 1/2 W . . . . .					AR	
				(745-1274-00)						
* -20	RC20GF160J	.	.	RESISTOR, Fixed, COMP, 16 ohms ±5%, 1/2 W . . . . .					AR	
				(745-1277-00)						
* -20	RC20GF180J	.	.	RESISTOR, Fixed, COMP, 18 ohms ±5%, 1/2 W . . . . .					AR	
				(745-1278-00)						
* -20	RC20GF200J	.	.	RESISTOR, Fixed, COMP, 20 ohms ±5%, 1/2 W . . . . .					AR	
				(745-1280-00)						
* -20	RC20GF220J	.	.	RESISTOR, Fixed, COMP, 22 ohms ±5%, 1/2 W . . . . .					AR	
				(745-1281-00)						
* -20	RC20GF240J	.	.	RESISTOR, Fixed, COMP, 24 ohms ±5%, 1/2 W . . . . .					AR	
				(745-1284-00)						
* -20	RC20GF270J	.	.	RESISTOR, Fixed, COMP, 27 ohms ±5%, 1/2 W . . . . .					AR	
				(745-1285-00)						
* -20	RC20GF300J	.	.	RESISTOR, Fixed, COMP, 30 ohms ±5%, 1/2 W . . . . .					AR	
				(745-1287-00)						
* -20	RC20GF330J	.	.	RESISTOR, Fixed, COMP, 33 ohms ±5%, 1/2 W . . . . .					AR	
				(745-1288-00)						
* -20	RC20GF360J	.	.	RESISTOR, Fixed, COMP, 36 ohms ±5%, 1/2 W . . . . .					AR	
				(745-1291-00)						
* -20	RC20GF390J	.	.	RESISTOR, Fixed, COMP, 39 ohms ±5%, 1/2 W . . . . .					AR	
				(745-1292-00)						
-21	506-6126-003	.	.	BOARD, Terminal . . . . .					1	
-22	506-6124-002	.	.	BRACKET, Tuning servo . . . . .					1	

\*Choose one resistor to meet the individual requirements of each Tuning Servo Unit.

FIG. & INDEX NO.	PART NO.	DESCRIPTION							UNITS PER ASSY.	USABLE ON CODE
		1	2	3	4	5	6	7		
11-	MS35198-12	(ATTACHING PARTS)							2	
		. SCREW, Machine, cross recessed FH, 4-40 X 1/4 IN. LG, BRS, NI PL (342-0152-00)								
		-----*								
-23	86P33403S15	. CAPACITOR, Fixed, paper dielectric, 330,000 UUF ±20%, 300 V Fed Mfr Code 56289 (931-0629-00)							1	
	COML	(ATTACHING PARTS)								
		. NUT, HEX, 5/16-24, BRS, NI PL Fed Mfr Code 77250 (334-0254-00)							1	
	AN936A516	. WASHER, Lock, 0.322 ID, 0.435 OD, 0.022 IN. THK, STL, CAD PL (373-0080-00)							1	
		-----*								
-24	86P47403S15	. CAPACITOR, Fixed, paper dielectric, 470,000 UUF ±20%, 300 V Fed Mfr Code 56289 (931-0635-00)							1	
	COML	(ATTACHING PARTS)								
		. NUT, HEX, 5/16-24, BRS, NI PL Fed Mfr Code 77250 (334-0254-00)							1	
	AN936A516	. WASHER, Lock, 0.322 ID, 0.435 OD, 0.022 IN. THK, STL CAD PL (373-0080-00)							1	
		-----*								
-25	913-0996-00	. CAPACITOR, Fixed, ceramic dielectric, 3000 UUF, 500 V (Used effective Tuning Servo No MOD, MOD-1, MOD-2)							2	
-25	913-2750-00	. CAPACITOR, Fixed, ceramic dielectric, 3300 UUF ±20%, 500 V (Used effective Tuning Servo MOD-3 and MOD-4)							2	
-26	541-6554-003	. SHIELD, Electron tube, BRS							2	
-27	5686	. ELECTRON TUBE, Pentode Fed Mfr Code 95445 (253-0009-00)							1	
-28	5751	. ELECTRON TUBE, Double triode Fed Mfr Code 95445 (253-0012-00)							1	
-28.1	541-6533-003	. INSERT, Electron tube socket, COP							2	
-29	TS103P01	. SOCKET, Tube, 9 CONT miniature (220-1103-00) (ATTACHING PARTS)							2	
	AN340B4	. NUT, HEX, 4-40, BRS, NI PL (313-0051-00)							4	
	AN936B4B	. WASHER, Lock, 0.123 ID, 0.255 OD, 0.016 IN. THK, PH BRZ, CAD PL (373-7010-00)							4	
	4007-4	. TERMINAL, Lug, COP Fed Mfr Code 77147 (304-0015-00)							1	
	MS35214-12	. SCREW, Machine, cross recessed pan HD, 4-40 X 1/4 IN. LG, BRS, NI PL (343-0285-00)							4	
		-----*								
-30	19059	. TRANSFORMER, AF, plate coupling type Fed Mfr Code 12080 (674-0635-00) (ATTACHING PARTS)							1	
	AN340B4	. NUT, HEX, 4-40, BRS, NI PL (313-0051-00)							2	
	AN936B4B	. WASHER, Lock, 0.123 ID, 0.255 OD, 0.016 IN. THK, PH BRZ, CAD PL (373-7010-00)							2	
	AN500B4R-4	. SCREW, Machine, cross recessed FIL H, 4-40 X 1/4 IN. LG, BRS, NI PL (347-0090-00)							2	
		-----*								
-31	TS102U02	. SHIELD, Electron tube, COP or BRS (141-0144-00)							1	
-32		NOT USED								
-33	300	. VIBRATOR, Synchronous Fed Mfr Code 81541 (354-1021-00)							1	
-34	TS102P01	. SOCKET, Tube, 7 contact miniature (220-1111-00)							1	

FIG. & INDEX NO.	PART NO.	DESCRIPTION							UNITS PER ASSY.	USABLE ON CODE
		1	2	3	4	5	6	7		
11-		(ATTACHING PARTS)								
	AN340B4	.	NUT, HEX, 4-40 THD, BRS, NI PL (313-0051-00)	.	.	.	.	2		
	AN936B4B	.	WASHER, Lock, 0.123 ID, 0.255 OD, 0.016 IN. THK, PH BRZ, CAD PL (373-7010-00)	.	.	.	.	2		
	2110-4	.	TERMINAL, Lug, PH BRZ Fed Mfr Code 78189 (304-2710-00)	.	.	.	.	1		
	MS35214-12	.	SCREW, Machine, cross recessed pan HD, 4-40 X 1/4 IN. LG, BRS, NI PL (343-0285-00)	.	.	.	.	2		
		-----*								
-35	126-151-1001	.	CONNECTOR, Receptacle, 15 RD male CONT Fed Mfr Code 89709 (372-1079-00)	.	.	.	.	1		
		(ATTACHING PARTS)								
	AN340B4	.	NUT, HEX, 4-40 THD, BRS, NI PL (313-0051-00)	.	.	.	.	2		
	MS35214-15	.	SCREW, Machine, cross recessed pan HD, 4-40 X 7/16 IN. LG, BRS, NI PL (343-0288-00)	.	.	.	.	2		
		-----*								
-36	506-6129-003	.	FRAME, Tuning servo	.	.	.	.	1		
12-	506-6625-006		RELAY ASSY (See figure 3-3 for next higher ASSY) (Effective Relay ASSY No MOD, MOD-1, MOD-2, MOD-3)	.	.	.	.	REF		
-1	506-6093-004	.	COVER, Single module	.	.	.	.	1		
		(ATTACHING PARTS)								
	506-6072-002	.	SCREW, Captive, cross recessed FIL H, 4-40 X 3/8 IN. LG, SST	.	.	.	.	2		
	AN936B4	.	WASHER, Lock, 0.123 ID, 0.255 OD, 0.016 IN. THK, SST (373-8010-00)	.	.	.	.	2		
		-----*								
-2	541-6552-003	.	SHIELD, Electron tube, BRS	.	.	.	.	1		
-3	OA2	.	ELECTRON TUBE, Voltage regulator Fed Mfr Code 95445 (257-0052-00)	.	.	.	.	1		
-3.1	541-6532-003	.	INSERT, Electron tube socket, COP	.	.	.	.	1		
-4	TS102P01	.	SOCKET, Tube, 7 CONT miniature (220-1111-00)	.	.	.	.	1		
		(ATTACHING PARTS)								
	AN340B4	.	NUT, HEX, 4-40 THD, BRS, NI PL (313-0051-00)	.	.	.	.	2		
	AN936B4	.	WASHER, Lock, 0.123 ID, 0.255 OD, 0.016 IN. THK, SST (373-8010-00)	.	.	.	.	2		
	MS35214-12	.	SCREW, Machine, cross recessed pan HD, 4-40 X 1/4 IN. LG, BRS, NI PL (343-0285-00)	.	.	.	.	2		
		-----*								
-5	22300-54	.	RELAY, Armature, CONT arrangement 4C Fed Mfr Code 80089 (974-0220-00)	.	.	.	.	2		
		(ATTACHING PARTS)								
	COML	.	NUT, HEX, 4-40 THD, BRS, NI PL Fed Mfr Code 77250 (313-0156-00)	.	.	.	.	6		
	AN936B4	.	WASHER, Lock, 0.123 ID, 0.255 OD, 0.016 IN. THK, SST (373-8010-00)	.	.	.	.	6		
	306-0234-00	.	TERMINAL, Stud, BRS (Used effective Relay ASSY MOD-2 only)	.	.	.	.	2		
		-----*								
-6	RC20GF222K	.	RESISTOR, Fixed, COMP, 2200 ohm $\pm 10\%$ , 1/2 W (745-1366-00)	.	.	.	.	2		

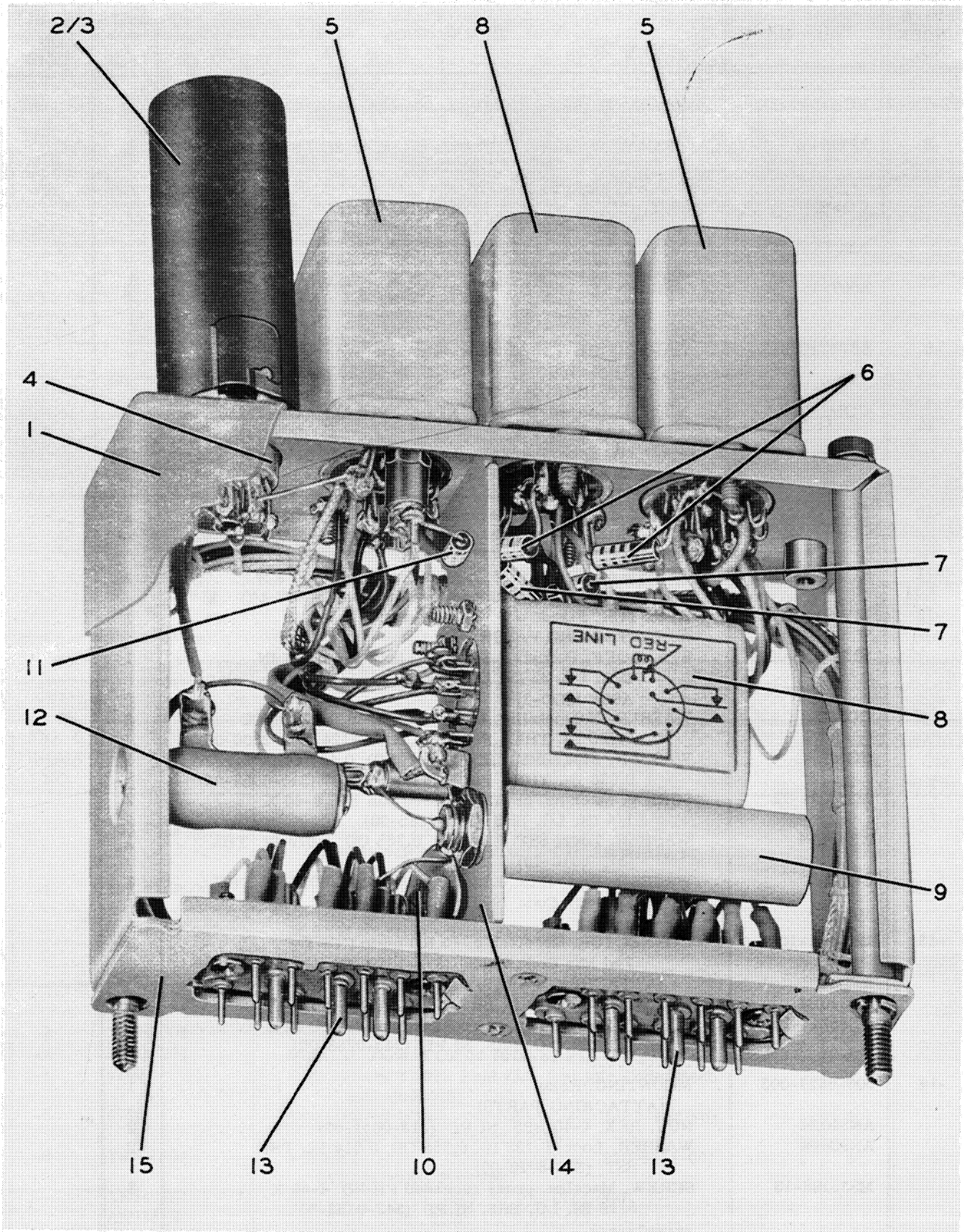


Figure 12. Relay Assembly (No Mod, Mod-1 thru Mod-3)



Section II  
Group Assembly Parts List

T.O. 12R2-4-6-4

FIG. & INDEX NO.	PART NO.	DESCRIPTION							UNITS PER ASSY.	USABLE ON CODE
		1	2	3	4	5	6	7		
12-7	RC20GF223K	.	RESISTOR, Fixed, COMP, 22,000 ohm ±10%, 1/2 W . . . .						2	
			(745-1408-00)							
-8	22300-62	.	RELAY, Armature, CONT arrangement 3C Fed Mfr . . .						2	
			Code 80089 (974-0219-00)							
	COML	.	(ATTACHING PARTS)							
	AN936B4	.	NUT, HEX, 4-40 THD, BRS, NI PL Fed Mfr Code . . . .						6	
			77250 (313-0156-00)							
	4007-4	.	WASHER, Lock, 0.123 ID, 0.255 OD, 0.016 IN. THK, . . .						6	
			SST (373-8010-00)							
		.	TERMINAL, Lug, COP Fed Mfr Code 77147 . . . . .						2	
			(304-0015-00)							
			-----*-----							
-9	86P47403S15	.	CAPACITOR, Fixed, paper dielectric, 470,000 UUF . . . .						1	
			±20%, 300 V Fed Mfr Code 56289 (931-0630-00)							
	COML	.	(ATTACHING PARTS)							
	AN936A516	.	NUT, HEX, 5/16-24, BRS, NI PL Fed Mfr Code 77250 . .						1	
			(334-0254-00)							
		.	WASHER, Lock, 0.322 ID, 0.435 OD, 0.022 IN. THK, . . .						1	
			STL, CAD PL (373-0080-00)							
			-----*-----							
-10	CK63Y103Z	.	CAPACITOR, Fixed, ceramic, 10,000 UUF, 500 V . . . .						1	
			(913-1188-00) (Used effective Relay ASSY							
			MOD-1)							
-11	RC20GF473K	.	RESISTOR, Fixed, COMP, 47,000 ohm ±10%, 1/2 W . . . .						1	
			(745-1422-00) (Used effective Relay ASSY MOD-2)							
-12	747-9150-00	.	RESISTOR, Fixed, WW, 3300 ohm ±5%, 8 W . . . . .						1	
			(ATTACHING PARTS)							
	503-0970-001	.	STANDOFF, Pedestal, 4-40 THD both ends, 1/4 IN. . . . .						1	
			DIA, 1-3/32 IN. LG overall (Used effective Relay							
			ASSY MOD-3)							
	COML	.	WASHER, Nonmetallic, India mica, 3/16 ID, 7/16 OD . . .						2	
			0.025 IN. THK Fed Mfr Code 71124 (302-2300-00)							
	COML	.	WASHER, Flat, BRS, SIL PL, 0.203 ID, 0.437 OD, . . . .						1	
			0.038 IN. THK Fed Mfr Code 79807 (310-0059-00)							
	MS35214-12	.	SCREW, Machine, cross recessed pan HD, 4-40 X . . . .						2	
			1/4 IN. LG, BRS (343-0285-00)							
	AN936B4	.	WASHER, Lock, SST, 0.123 ID, 0.255 OD, 0.016 IN. THK . .						1	
			(373-8010-00)							
	COML	.	WASHER, Flat, BRS, 0.125 ID, 0.312 OD, 0.028 IN. THK . .						1	
			Fed Mfr Code 79807 (310-0054-00)							
			-----*-----							
-13	126-151-1001	.	CONNECTOR, Receptacle, 15 RD male CONT . . . . .						2	
			Fed Mfr Code 89709 (372-1079-00)							
			(ATTACHING PARTS)							
	AN340B4	.	NUT, HEX, 4-40 THD, BRS, NI PL (313-0051-00) . . . .						4	
	MS35214-15	.	SCREW, Machine, cross recessed pan HD, 4-40 X . . . .						4	
			7/16 IN. LG, BRS, NI PL (343-0288-00)							
			-----*-----							
-14	506-6627-003	.	MOUNTING, Relay . . . . .						1	
			(ATTACHING PARTS)							
	AN340B4	.	NUT, HEX, 4-40 BRS, NI PL (313-0051-00) . . . . .						2	
	AN936B4	.	WASHER, Lock, 0.123 ID, 0.255 OD, 0.016 IN. THK, . . .						2	
			SST (373-8010-00)							
	MS35198-13	.	SCREW, Machine, cross recessed FH HD, 4-40 X . . . .						3	
			5/16 IN. LG, BRS, NI PL (342-0153-00)							
			-----*-----							
-15	506-6626-003	.	FRAME, Relay . . . . .						1	

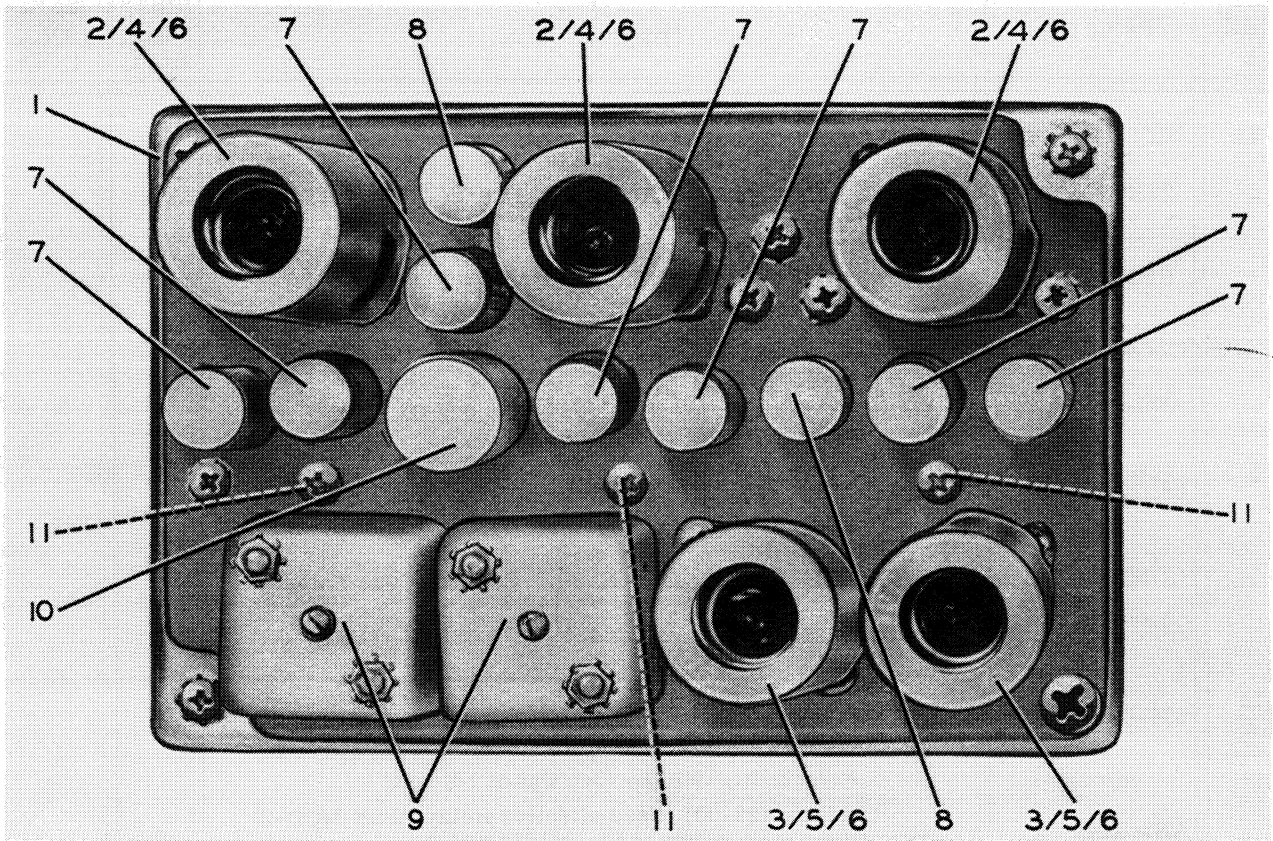


Figure 13. IF Amplifier, Top View (No Mod, Mod-1 thru Mod-6)

FIG. & INDEX NO.	PART NO.	DESCRIPTION	UNITS	USABLE
			PER ASSY.	ON CODE
		1 2 3 4 5 6 7		
13-	506-6919-006	AMPLIFIER, IF, 250 KC, top view (See figure 3-4 for . . . . next higher ASSY) (Effective IF Amplifier No MOD, MOD-1 thru MOD-6)	REF	
-1	506-6109-004	. COVER, Double module . . . . .	1	
	506-6072-002	. SCREW, Captive, cross recessed FIL H, 4-40 X 3/8 IN. LG, SST	2	
	AN936B4	. WASHER, Lock, 0.123 ID, 0.255 OD, 0.016 IN. THK, SST (373-8010-00)	2	
		-----*		
-2	TS102U02	. SHIELD, Tube, COP or BRS, NI PL (141-0144-00) . . . .	3	
-3	TS102U01	. SHIELD, Tube, COP or BRS, NI PL (141-0143-00) . . . .	2	
-4	5749	. ELECTRON TUBE, Pentode Fed Mfr Code 95445 (253-0005-00)	3	
-5	5726	. ELECTRON TUBE, Twin diode rectifier Fed Mfr Code 95445 (253-0003-00)	2	
-6	TS102P01	. SOCKET, Tube, 7 CONT miniature (220-1111-00) . . . .	5	
	AN340B4	. NUT, HEX, 4-40, BRS, NI PL (313-0051-00) . . . . .	10	
	AN936B4	. WASHER, Lock, 0.123 ID, 0.255 OD, 0.016 IN. THK, SST (373-8010-00)	10	

Section II  
Group Assembly Parts List

T.O. 12R2-4-6-4

FIG. & INDEX NO.	PART NO.	DESCRIPTION 1 2 3 4 5 6 7	UNITS PER ASSY.	USABLE ON CODE
13-	4007-4	. TERMINAL, Lug, COP Fed Mfr Code 77147 . . . . . (304-0015-00)	3	
	MS35214-12	. SCREW, Machine, cross recessed pan HD, 4-40 X . . . . . 1/4 IN. LG, BRS, NI PL (343-0285-00)	10	
-7	86P10403S15	. CAPACITOR, Fixed, paper dielectric, 100,000 UUF . . . . . ±20%, 300 V Fed Mfr Code 56289 (931-0626-00) (ATTACHING PARTS)	7	
	COML	. NUT, HEX, 5/16-24, BRS, NI PL Fed Mfr Code 77250 . . . . . (334-0254-00)	7	
	AN936A516	. WASHER, Lock, 0.322 ID, 0.435 OD, 0.022 IN. THK . . . . . STL, CAD PL (373-0080-00)	7	
-8	86P10401S15	. CAPACITOR, Fixed, paper dielectric, 100,000 UUF . . . . . ±20%, 100 V Fed Mfr Code 56289 (931-0588-00) (ATTACHING PARTS)	2	
	COML	. NUT, HEX, 5/16-24, BRS, NI PL Fed Mfr Code 77250 . . . . . (334-0254-00)	2	
	AN936A516	. WASHER, Lock, 0.322 ID, 0.435 OD, 0.022 IN. THK, . . . . . STL, CAD PL (373-0080-00)	2	
-9	506-6910-003	. TUNING UNIT, RF, UNIV wound, 195 turns litz wire, . . . . . 7 strands NO. 44 AWG, shielded, 29/32 X 1-1/8 X 2-9/32 IN., 250 KC (See figure 16) (ATTACHING PARTS)	2	
	AN340B4	. NUT, HEX, 4-40, BRS, NI PL (313-0051-00) . . . . .	4	
	AN936B4	. WASHER, Lock, 0.123 ID, 0.255 OD, 0.016 IN. THK, . . . . . SST (373-8010-00)	4	
-10	86P47402S15	. CAPACITOR, Fixed, paper dielectric, 470,000 UUF . . . . . ±20%, 200 V Fed Mfr Code 56289 (931-0611-00) (ATTACHING PARTS)	1	
	COML	. NUT, HEX, 5/16-24, BRS, NI PL Fed Mfr Code . . . . . 77250 (334-0254-00)	1	
	AN936A516	. WASHER, Lock, 0.322 ID, 0.435 OD, 0.022 IN. THK, . . . . . STL, CAD PL (373-0080-00)	1	
-11	2104-4	. TERMINAL, Lug, PH BRZ Fed Mfr Code 78189 . . . . . (304-6910-00) (ATTACHING PARTS)	3	
	AN340B4	. NUT, HEX, 4-40, BRS, NI PL (313-0051-00) . . . . .	3	
	AN936B4	. WASHER, Lock, 0.123 ID, 0.255 OD, 0.016 IN. THK, . . . . . SST (373-8010-00)	3	
	MS35214-12	. SCREW, Machine, cross recessed pan HD, 4-40 X . . . . . 1/4 IN. LG (343-0285-00)	3	
14-	506-6919-006	AMPLIFIER, IF, 250 KC, front view (See figure 3-4 . . . . . for next higher ASSY) (Effective IF Amplifier No MOD, MOD-1 thru MOD-6)	REF	
-1	506-6915-004	. CAPACITOR-RESISTOR ASSY, Amplifier . . . . . (ATTACHING PARTS)	1	
	MS35214-12	. SCREW, Machine, cross recessed pan HD, 4-40 X . . . . . 1/4 IN. LG, BRS, NI PL (343-0285-00)	4	

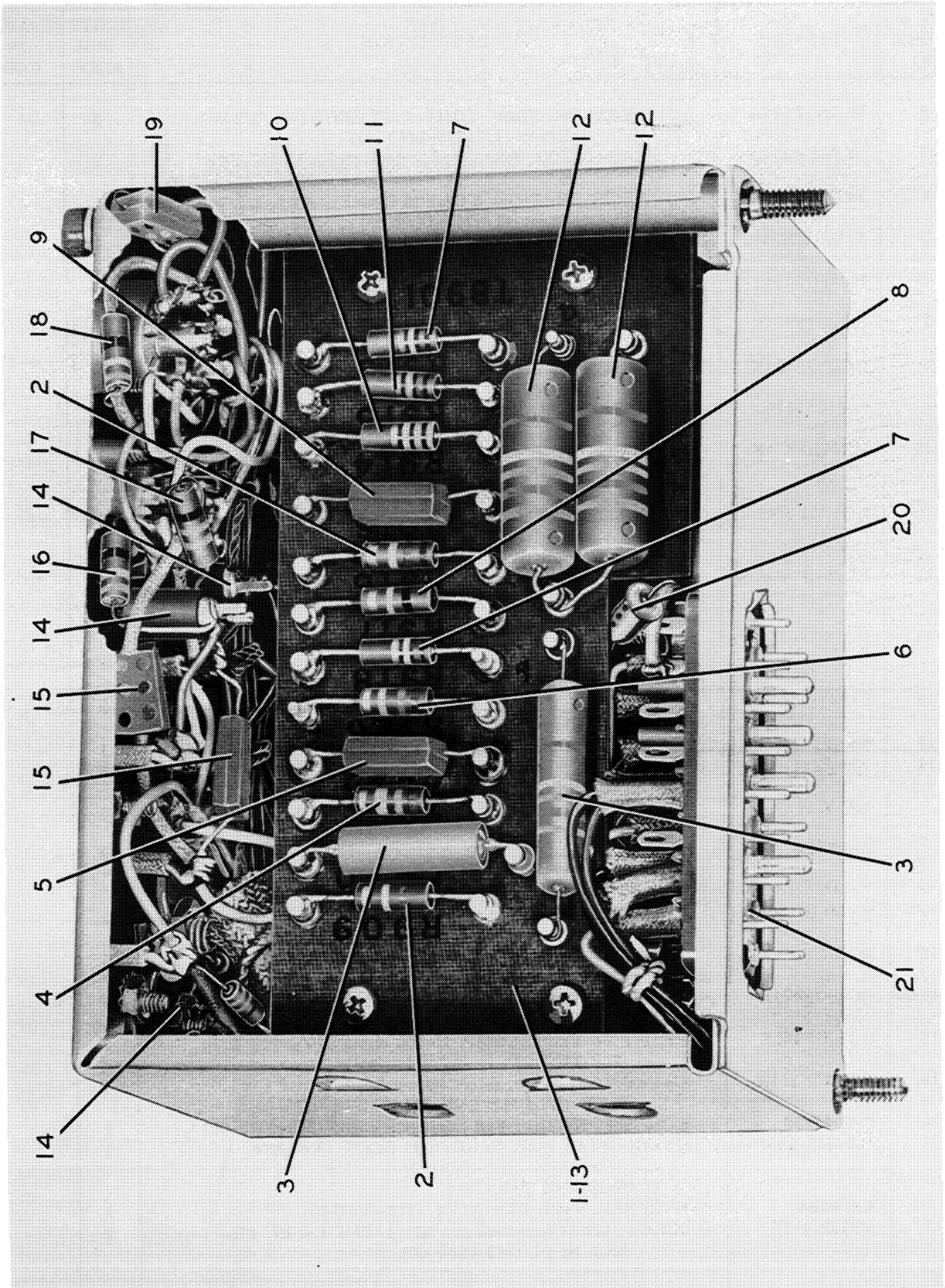


Figure 14. IF Amplifier, Front View (No Mod, Mod-1 thru Mod-6)

Section II  
Group Assembly Parts List

T.O. 12R2-4-6-4

FIG. & INDEX NO.	PART NO.	DESCRIPTION							UNITS PER ASSY.	USABLE ON CODE
		1	2	3	4	5	6	7		
14-2	RC20GF124K	.	.	RESISTOR, Fixed, COMP, 0.12 MEG ±10%, 1/2 W . . .					2	
				(MIL-R-11) (745-1440-00)						
-3	96P33301S4	.	.	CAPACITOR, Fixed, paper dielectric, 33,000 UUF . .					2	
				±20%, 100 V Fed Mfr Code 56289 (931-2500-00)						
-4	RC20GF274K	.	.	RESISTOR, Fixed, COMP, 0.27 MEG ±10%, 1/2 W . . .					1	
				(MIL-R-11) (745-1454-00)						
-5	VCM15E221K	.	.	CAPACITOR, Fixed, mica dielectric, 220 UUF ±10%, .					1	
				500 V Fed Mfr Code 72136 (912-0519-00)						
-6	RC20GF184K	.	.	RESISTOR, Fixed, COMP, 0.18 MEG ±10%, 1/2 W . .					1	
				(MIL-R-11) (745-1447-00)						
-7	RC20GF224K	.	.	RESISTOR, Fixed, COMP, 0.22 MEG ±10%, 1/2 W . .					2	
				(MIL-R-11) (745-1450-00)						
-8	RC20GF104K	.	.	RESISTOR, Fixed, COMP, 0.10 MEG ±10%, 1/2 W . .					1	
				(MIL-R-11) (745-1436-00)						
-9	CM15E511G	.	.	CAPACITOR, Fixed, mica dielectric, 510 UUF ±2%, . .					1	
				300 V Fed Mfr Code 72136 (912-0544-00)						
-10	RC20BF334K	.	.	RESISTOR, Fixed, COMP, 0.33 MEG ±10%, 1/2 W . . .					1	
				(MIL-R-11) (745-1191-00) (Used effective IF Amplifier No MOD, MOD-1, MOD-2, MOD-3)						
-10	RC20GF334J	.	.	RESISTOR, Fixed, COMP, 330,000 ohm ±5%, 1/2 W . .					1	
				(MIL-R-11) (745-1456-00) (Used effective IF Amplifier MOD-4 thru MOD-6)						
-11	RC20BF683K	.	.	RESISTOR, Fixed, 68,000 ohms ±10%, 1/2 W . . . . .					1	
				(745-1163-00) (Used effective IF Amplifier No MOD, MOD-1, MOD-2, MOD-3)						
-11	RC20GF823J	.	.	RESISTOR, Fixed, COMP, 82,000 ohms ±5%, 1/2 W . .					1	
				(745-1432-00) (Used effective IF Amplifier MOD-4 thru MOD-6)						
-12	96P47301S4	.	.	CAPACITOR, Fixed, paper dielectric, 47,000 UUF . .					2	
				±20%, 100 V Fed Mfr Code 56289 (931-2501-00)						
-13	506-6903-003	.	.	BOARD, Terminal, general purpose . . . . .					1	
-14	306-0234-00	.	.	TERMINAL, Stud, BRS . . . . .					3	
				(ATTACHING PARTS)						
	MS35214-11	.	.	SCREW, Machine, cross recessed pan HD, 4-40 X 3/16 . .					3	
				IN. LG, BRS, NI PL (343-0284-00)						
	AN936B4	.	.	WASHER, Lock, 0.123 ID, 0.255 OD, 0.016 IN. THK, . . .					3	
				SST (373-8010-00)						
				-----*						
-15	VCM15C150K	.	.	CAPACITOR, Fixed, mica dielectric, 15 UUF ±10%, . . .					2	
				500 V Fed Mfr Code 72136 (912-0438-00)						
-16	RC20GF104K	.	.	RESISTOR, Fixed, COMP, 0.10 MEG ±10%, 1/2 W . . . . .					1	
				(745-1436-00)						
-17	RC20GF474K	.	.	RESISTOR, Fixed, COMP, 0.47 MEG ±10%, 1/2 W . . . . .					1	
				(745-1464-00)						
-18	RC20GF153K	.	.	RESISTOR, Fixed, COMP, 15,000 ohms ±10%, 1/2 W . . .					1	
				(745-1401-00)						
-19	VCM15E221K	.	.	CAPACITOR, Fixed, mica dielectric, 220 UUF ±10%, . . .					1	
				500 V Fed Mfr Code 72136 (912-0519-00)						
-20	C-0047109	.	.	COIL, RF, 500 UH Fed Mfr Code 95265 (240-0073-00) . .					1	
-21	126-806-1001	.	.	CONNECTOR, Plug, 20 RD male CONT Fed Mfr . . . . .					1	
				Code 89709 (372-1069-00)						
				(ATTACHING PARTS)						
	AN340B4	.	.	NUT, HEX, 4-40, BRS, NI PL (313-0051-00) . . . . .					2	
	MS35214-16	.	.	SCREW, cross recessed pan HD, 4-40 X 1/2 IN. LG, . . .					2	
				BRS, NI PL (343-0289-00)						
				-----*						

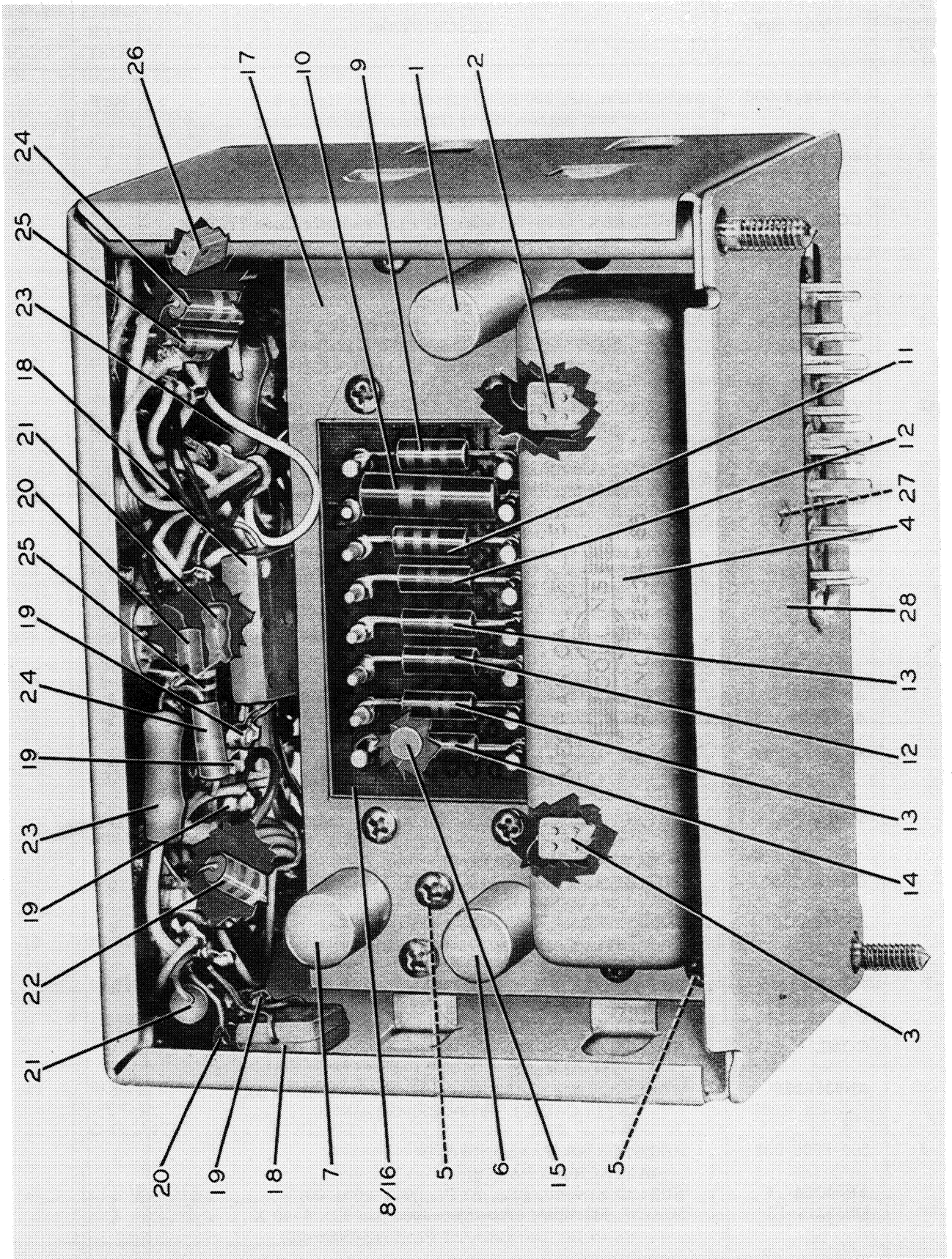


Figure 15. IF Amplifier, Rear View (No Mod, Mod-1 thru Mod-6)

Section II  
Group Assembly Parts List

T.O. 12R2-4-6-4

FIG. & INDEX NO.	PART NO.	DESCRIPTION							UNITS PER ASSY.	USABLE ON CODE
		1	2	3	4	5	6	7		
15-	506-6919-006	AMPLIFIER, IF, 250 KC, rear view (See figure 3-4 . . . . . for next higher ASSY) (Effective IF Amplifier No MOD, MOD-1 thru MOD-6)							REF	
-1	86P10403S15	. CAPACITOR, Fixed, paper dielectric, 100,000 UUF . . . . ±20%, 300 V Fed Mfr Code 56289 (931-0626-00) (ATTACHING PARTS)							1	
	COML	. NUT, HEX, 5/16-24, BRS, NI PL Fed Mfr Code 77250 . . (334-0254-00)							1	
	AN936A516	. WASHER, Lock, 0.322 ID, 0.435 OD, 0.022 IN. THK, . . . . STL, CAD PL (373-0080-00) -----*							1	
-2	VCM15E390G	. CAPACITOR, Fixed, mica dielectric, 39 UUF ±2%, . . . . 500 V Fed Mfr Code 72136 (912-0463-00) (Used effective IF Amplifier No MOD, MOD-1, MOD-2, MOD-3, MOD-4)							1	
-2	VCM15E470G	. CAPACITOR, Fixed, mica dielectric, 47 UUF ±20%, . . . . 500 V Fed Mfr Code 72136 (912-0469-00) (Used effective IF Amplifier MOD-5 and MOD-6)							1	
-3	VCM15E910G	. CAPACITOR, Fixed, mica dielectric, 91 UUF ±2%, 500 V . . Fed Mfr Code 72136 (912-0490-00)							1	
-4	526-9039-00	. FILTER, Band pass, 250 KC . . . . . (ATTACHING PARTS)							1	
	AN340B4	. NUT, HEX, 4-40, BRS, NI PL (313-0051-00) . . . . .							2	
	AN936B4	. WASHER, Lock, 0.123 ID, 0.255 OD, 0.016 IN. THK, . . . . SST (373-8010-00) -----*							2	
-5	4007-4	. TERMINAL, Lug, COP Fed Mfr Code 77147 . . . . . (304-0015-00) (ATTACHING PARTS)							2	
	AN340B4	. NUT, HEX, 4-40, BRS, NI PL (313-0051-00) . . . . .							2	
	AN936B4	. WASHER, Lock, 0.123 ID, 0.255 OD, 0.016 IN. THK, . . . . SST (373-8010-00)							2	
	MS35214-12	. SCREW, Machine, cross recessed pan HD, 4-40 X . . . . . 1/4 IN. LG, BRS, NI PL (343-0285-00) -----*							2	
-6	86P10401S15	. CAPACITOR, Fixed, paper dielectric, 100,000 UUF . . . . ±20%, 100 V Fed Mfr Code 56289 (931-0588-00) (ATTACHING PARTS)							1	
	COML	. NUT, HEX, 5/16-24, BRS, NI PL Fed Mfr Code 77250 . . (334-0254-00)							2	
	AN936A516	. WASHER, Lock, 0.322 ID, 0.435 OD, 0.022 IN. THK, . . . . STL, CAD PL (373-0080-00) -----*							2	
-7	86P47301S15	. CAPACITOR, Fixed, paper dielectric, 0.047 UF . . . . . ±20%, 100 V Fed Mfr Code 56289 (931-0586-00) (ATTACHING PARTS)							1	
	COML	. NUT, HEX, 5/16-24, BRS, NI PL Fed Mfr Code 77250 . . (334-0254-00)							1	
	AN936A516	. WASHER, Lock, 0.322 ID, 0.435 OD, 0.022 IN. THK, . . . . STL, CAD PL (373-0080-00) -----*							1	
-8	506-6906-003	. RESISTOR ASSY, Amplifier, IF . . . . . (ATTACHING PARTS)							1	
	AN340B4	. NUT, HEX, 4-40, BRS, NI PL (313-0051-00) . . . . .							4	
	MS35214-13	. SCREW, Machine, cross recessed pan HD, 4-40 X . . . . . 5/16 IN. LG, BRS, NI PL (343-0286-00) -----*							4	

FIG. & INDEX NO.	PART NO.	DESCRIPTION							UNITS PER ASSY.	USABLE ON CODE
		1	2	3	4	5	6	7		
15-9	RC20GF223K	.	.	RESISTOR, Fixed, COMP, 22,000 ohms $\pm 10\%$ , 1/2 W (745-1408-00)	.	.	.	.	1	
-10	RC30BF103K	.	.	RESISTOR, Fixed, COMP, 10,000 ohms $\pm 10\%$ , 1 W (745-3128-00) (Used effective IF Amplifier No MOD, MOD-1)	.	.	.	.	1	
-10	RC32GF682K	.	.	RESISTOR, Fixed, COMP, 6800 ohms $\pm 10\%$ , 1 W (745-3387-00) (Used effective IF Amplifier MOD-2 thru MOD-6)	.	.	.	.	1	
-11	RC20BF223K	.	.	RESISTOR, Fixed, COMP, 22,000 ohm $\pm 10\%$ , 1/2 W (MIL-R-11) (745-1142-00) (Used effective IF Amplifier No MOD, MOD-1)	.	.	.	.	1	
-11	RC20GF273K	.	.	RESISTOR, Fixed, COMP, 27,000 ohm $\pm 10\%$ , 1/2 W (MIL-R-11) (745-1412-00) (Used effective IF Amplifier MOD-2 thru MOD-6)	.	.	.	.	1	
-12	RC20BF153K	.	.	RESISTOR, Fixed, COMP, 15,000 ohm $\pm 10\%$ , 1/2 W (MIL-R-11) (745-1135-00) (Used effective IF Amplifier No MOD, MOD-1)	.	.	.	.	2	
-12	RC32GF822K	.	.	RESISTOR, Fixed, COMP, 8200 ohm $\pm 10\%$ , 1/2 W (MIL-R-11) (745-3391-00) (Used effective IF Amplifier MOD-2 thru MOD-6)	.	.	.	.	2	
-13	RC20BF153K	.	.	RESISTOR, Fixed, COMP, 15,000 ohm $\pm 10\%$ , 1/2 W (MIL-R-11) (745-1135-00) (Used effective IF Amplifier No MOD, MOD-1, MOD-2, MOD-3, MOD-4)	.	.	.	.	2	
-13	RC20GF153K	.	.	RESISTOR, Fixed, COMP, 15,000 ohm $\pm 10\%$ , 1/2 W (MIL-R-11) (745-1401-00) (Used effective IF Amplifier MOD-5 and MOD-6)	.	.	.	.	2	
-14	RC20GF473K	.	.	RESISTOR, Fixed, COMP, 47,000 ohm $\pm 10\%$ , 1/2 W (MIL-R-11) (745-1422-00)	.	.	.	.	1	
-15	CK63Y103Z	.	.	CAPACITOR, Fixed, ceramic dielectric, 10,000 UUF, 500 V (MIL-C-11015A) (913-1188-00)	.	.	.	.	1	
-16	506-6905-003	.	.	BOARD, Terminal, general purpose	.	.	.	.	1	
-17	506-6916-003	.	.	PLATE, Mounting (ATTACHING PARTS)	.	.	.	.	1	
	MS35214-12	.	.	SCREW, Machine, cross recessed pan HD, 4-40 X 1/4 IN. LG, BRS, NI PL (343-0285-00)	.	.	.	.	4	
				-----*						
-18	935-5016-00	.	.	CAPACITOR, Fixed, mica dielectric, 800 UUF $\pm 2\%$ , 300 V (Used effective IF Amplifier No MOD, MOD-1 thru MOD-5)	.	.	.	.	2	
-18	912-2993-00	.	.	CAPACITOR, Fixed, mica dielectric, 820 UUF $\pm 1\%$ , 500 V (Used effective IF Amplifier MOD-6)	.	.	.	.	2	
-19	306-0234-00	.	.	TERMINAL, Stud, BRS (ATTACHING PARTS)	.	.	.	.	4	
	MS35214-11	.	.	SCREW, Machine, cross recessed pan HD, 4-40 X 3/16 IN. LG, BRS, NI PL (343-0284-00)	.	.	.	.	4	
	AN936B4	.	.	WASHER, Lock, 0.123 ID, 0.255 OD, 0.016 IN. THK, SST (373-8010-00)	.	.	.	.	4	
				-----*						
-20	RC20GF223K	.	.	RESISTOR, Fixed, COMP, 22,000 ohm $\pm 10\%$ , 1/2 W (MIL-R-11) (745-1408-00)	.	.	.	.	2	
-21	C-0047471	.	.	COIL, RF, 1 UNIV winding, 3 pies W/112 turns nylon enameled 36 AWG EA, 494 UH at 790 KC Fed Mfr Code 95265 (240-0196-00)	.	.	.	.	2	
* -22	RC20BF331K	.	.	RESISTOR, Fixed, COMP, 330 ohm $\pm 10\%$ , 1/2 W (MIL-R-11) (745-1065-00) (Used effective IF Amplifier No MOD, MOD-1)	.	.	.	.	AR	

\* Choose one resistor to meet the individual requirements of each IF Amplifier.



Section II  
Group Assembly Parts List

T.O. 12R2-4-6-4

FIG. & INDEX NO.	PART NO.	DESCRIPTION	UNITS PER ASSY.	USABLE ON CODE		
					1	2
*15-22	RC20GF151K	. RESISTOR, Fixed, COMP, 150 ohm $\pm 10\%$ , 1/2 W . . . . . (MIL-R-11) (745-1317-00) (Used effective IF Amplifier MOD-2 thru MOD-6)	AR			
* -22	RC20GF181K	. RESISTOR, Fixed, COMP, 180 ohm $\pm 10\%$ , 1/2 W . . . . . (MIL-R-11) (745-1321-00) (Used effective IF Amplifier MOD-2 thru MOD-6)	AR			
* -22	RC20GF221K	. RESISTOR, Fixed, COMP, 220 ohm $\pm 10\%$ , 1/2 W . . . . . (MIL-R-11) (745-1324-00) (Used effective IF Amplifier MOD-2 thru MOD-6)	AR			
* -22	RC20GF271K	. RESISTOR, Fixed, COMP, 270 ohm $\pm 10\%$ , 1/2 W . . . . . (MIL-R-11) (745-1328-00) (Used effective IF Amplifier MOD-2 thru MOD-6)	AR			
* -22	RC20GF331K	. RESISTOR, Fixed, COMP, 330 ohm $\pm 10\%$ , 1/2 W . . . . . (MIL-R-11) (745-1331-00) (Used effective IF Amplifier MOD-2 thru MOD-6)	AR			
* -22	RC20GF391K	. RESISTOR, Fixed, COMP, 390 ohm $\pm 10\%$ , 1/2 W . . . . . (MIL-R-11) (745-1335-00) (Used effective IF Amplifier MOD-2 thru MOD-6)	AR			
* -22	RC20GF471K	. RESISTOR, Fixed, COMP, 470 ohm $\pm 10\%$ , 1/2 W . . . . . (MIL-R-11) (745-1338-00) (Used effective IF Amplifier MOD-2 thru MOD-6)	AR			
* -22	RC20GF561K	. RESISTOR, Fixed, COMP, 560 ohm $\pm 10\%$ , 1/2 W . . . . . (MIL-R-11) (745-1342-00) (Used effective IF Amplifier MOD-2 thru MOD-6)	AR			
* -22	RC20GF681K	. RESISTOR, Fixed, COMP, 680 ohm $\pm 10\%$ , 1/2 W . . . . . (MIL-R-11) (745-1345-00) (Used effective IF Amplifier MOD-2 thru MOD-6)	AR			
* -22	RC20GF821K	. RESISTOR, Fixed, COMP, 820 ohm $\pm 10\%$ , 1/2 W . . . . . (MIL-R-11) (745-1349-00) (Used effective IF Amplifier MOD-2 thru MOD-6)	AR			
-23	913-0996-00	. CAPACITOR, Fixed, ceramic dielectric, 3000 UUF, . . . . . 500 V (Used effective IF Amplifier No MOD, MOD-1, MOD-2, MOD-3, MOD-4)	2			
-23	913-2750-00	. CAPACITOR, Fixed, ceramic dielectric, 3300 UUF $\pm 20\%$ , . . . . . 500 V (Used effective IF Amplifier MOD-5 and MOD-6)	2			
-24	RC20GF104K	. RESISTOR, Fixed, COMP, 0.10 MEG $\pm 10\%$ , 1/2 W . . . . . (MIL-R-11) (745-1436-00)	2			
-25	RC20GF331K	. RESISTOR, Fixed, COMP, 330 ohm $\pm 10\%$ , 1/2 W . . . . . (MIL-R-11) (745-1331-00)	2			
-26	VCM15C100K	. CAPACITOR, Fixed, mica dielectric, 10 UUF $\pm 10\%$ , . . . . . 500 V Fed Mfr Code 72136 (912-0432-00) (Used effective IF Amplifier No MOD, MOD-3 thru MOD-6)	1			
-26	VCM15C150K	. CAPACITOR, Fixed, mica dielectric, 15 UUF $\pm 10\%$ , . . . . . 500 V Fed Mfr Code 72136 (912-0438-00) (Used effective IF Amplifier MOD-1, MOD-2)	1			
-27	2052	. TERMINAL, Lug, BRS or COP Fed Mfr Code 77147 . . . . . (304-1900-00) (ATTACHING PARTS)	1			
	AN340B4	. NUT, HEX, 4-40, BRS, NI PL (313-0051-00) . . . . .	1			
	AN936B4	. WASHER, Lock, 0.123 ID, 0.255 OD, 0.016 IN. THK, . . . . . SST (373-8010-00)	1			
	MS35198-12	. SCREW, Machine, cross recessed FH, 4-40 X 1/4 IN. . . . . LG, BRS, NI PL (342-0152-00)	1			
-28	506-6914-004	. FRAME, Amplifier, IF . . . . .	1			

\* Choose one resistor to meet the individual requirements of each IF Amplifier.

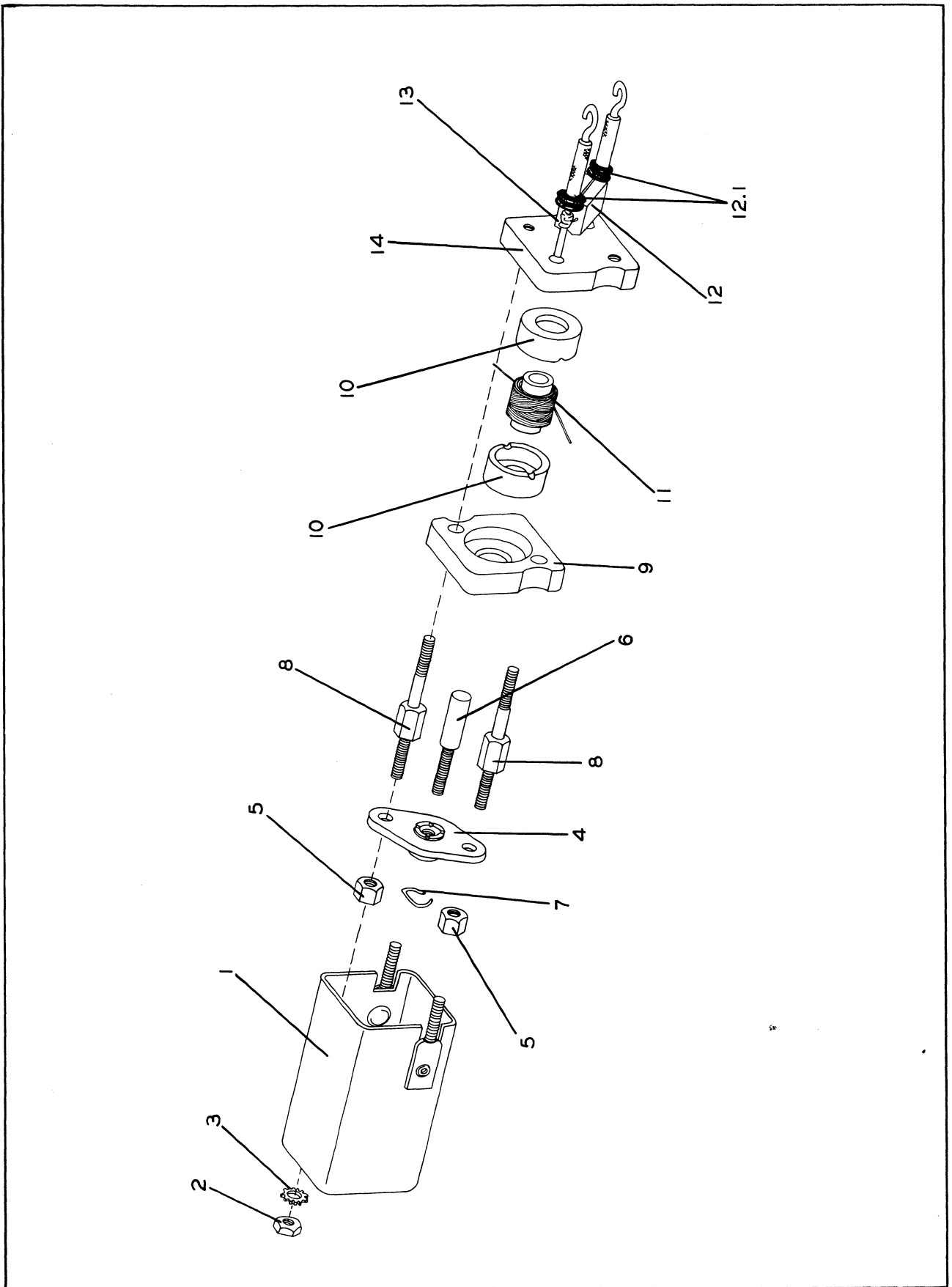


Figure 16. RF Tuning Unit

FIG. & INDEX NO.	PART NO.	DESCRIPTION							UNITS PER ASSY.	USABLE ON CODE
		1	2	3	4	5	6	7		
16-	506-6910-003	TUNING UNIT, RF, UNIV wound, 195 turns litz wire, . . . . . 7 strands NO. 44 AWG, shielded, 29/32 X 1-1/8 X 2-9/32 IN., 250 KC (See figure 13-9 for next higher ASSY)							REF	
-1	506-6890-002	. COVER, Shield . . . . . (ATTACHING PARTS)							1	
-2	COML	. NUT, HEX, 4-40, BRS, NI PL Fed Mfr Code 77250 . . . . . (313-0156-00)							2	
-3	AN936B4	. WASHER, Lock, 0.123 ID, 0.255 OD, 0.016 IN. THK, . . . . . SST (373-8010-00)							2	
-4	506-6898-002	-----*----- . SUPPORT, Core . . . . . (ATTACHING PARTS)							1	
-5	506-6897-002	. NUT, Plain, HEX, 4-40 THD . . . . .							2	
-6	50-1511-1	. CORE, Adjustable tuning Fed Mfr Code 92054 . . . . . (288-1112-00)							1	
-7	502-6005-002	. SPRING, Locking . . . . . -----*-----							1	
-8	506-6899-002	. STUD, 4-40, BRS . . . . .							2	
-9	506-6893-002	. PLATE, Coil, top . . . . .							1	
-10	10-639-2	. SHELL, Coil Fed Mfr Code 70229 (288-1113-00) . . . . .							2	
-11	506-6901-002	. COIL, RF, 250 KC . . . . .							1	
-12	CM15E471G	. CAPACITOR, Fixed, mica dielectric, 470 UUF ±2%, . . . . . 300 V Fed Mfr Code 72136 (912-0541-00)							1	
-12.1	901	. GROMMET, Synthetic rubber, 11/32 IN. OD, 1/8 IN. . . . . ID, 3/16 IN. H Fed Mfr Code 75543 (201-1020-00)							2	
-13	CM15E511G	. CAPACITOR, Fixed, mica dielectric, 510 UUF ±2%, . . . . . 300 V Fed Mfr Code 72136 (912-0544-00)							1	
-14	506-6900-002	. PLATE, Coil, bottom . . . . .							1	
17-	506-7450-006	AMPLIFIER, RF, 2 to 25 MC (See figure 3-5 for next . . . . . higher ASSY) (Used effective RF Amplifier No MOD, MOD-1, MOD-2)							REF	
17-	540-9968-002	AMPLIFIER, RF, 2 to 25 MC (See figure 3-5 for next . . . . . higher ASSY) (Used effective RF Amplifier MOD-3 thru MOD-6)							REF	
-1	6159	. ELECTRON TUBE, Beam power pentode Fed Mfr . . . . . Code 95445 (256-0102-00)							3	
-2	506-6618-002	. CLAMP, Shaft (Used effective RF Amplifier No MOD, . . . . . MOD-1, MOD-2) (ATTACHING PARTS)							1	
-3	COML	. NUT, Square, 4-40, STL, CAD PL Fed Mfr Code 77250 . . . . . (334-0485-00)							1	
-4	COML	. WASHER, Lock, 0.115 ID, 0.212 OD, 0.025 IN. THK, . . . . . SST Fed Mfr Code 78189 (310-0279-00)							1	
-5	324-0303-00	. SCREW, Cap, socket HD, STL, CAD PL, 4-40 X 9/16 . . . . . IN. LG -----*-----							1	
-6	506-7416-002	. SPACER, Sleeve, AL, 0.313 IN. DIA X 0.200 IN. THK . . . . . (Used effective RF Amplifier No MOD, MOD-1, MOD-2)							1	
-7	504-7537-002	. CLAMP, Shaft (Used effective RF Amplifier No . . . . . MOD, MOD-1, MOD-2)							1	

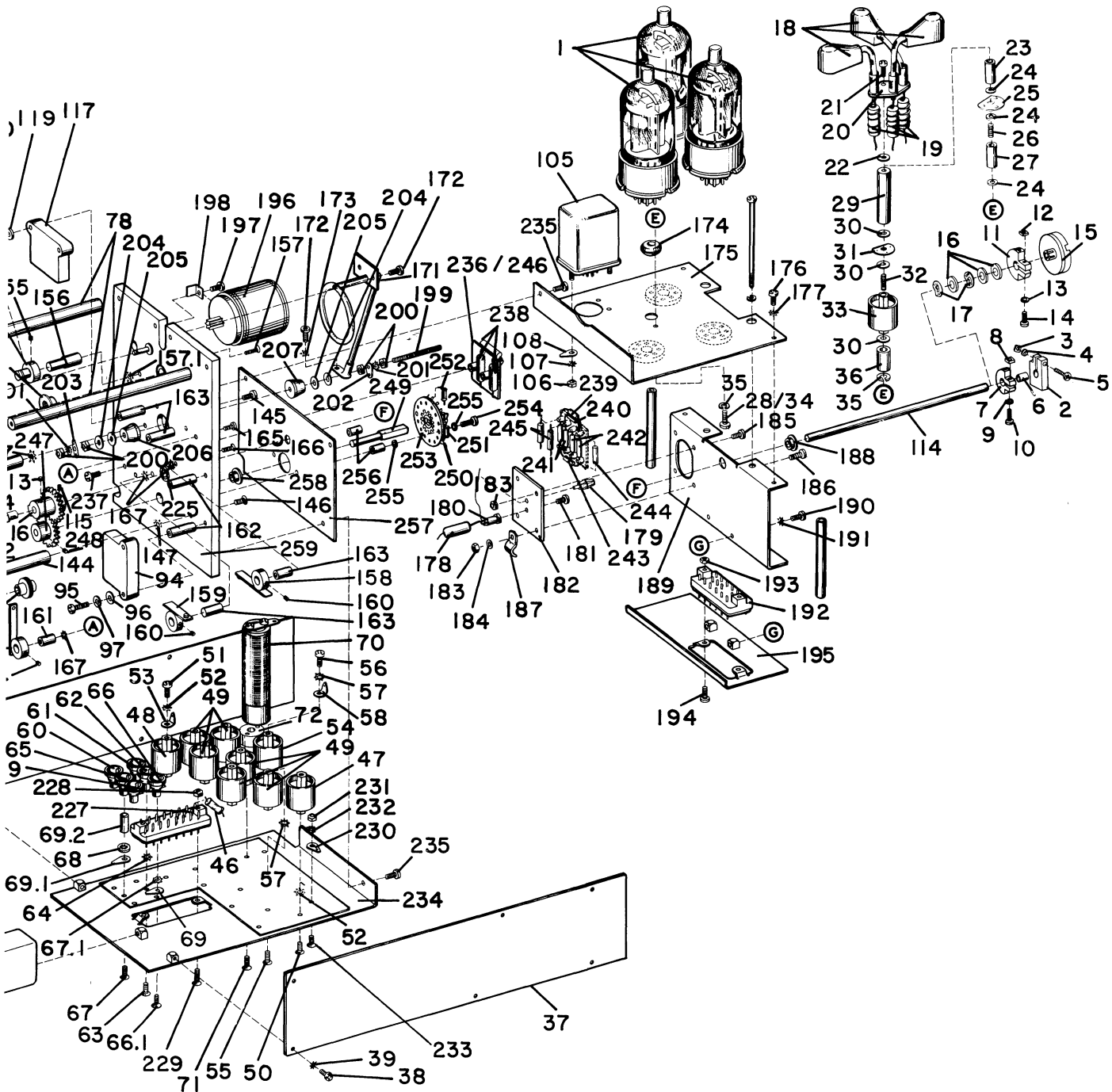
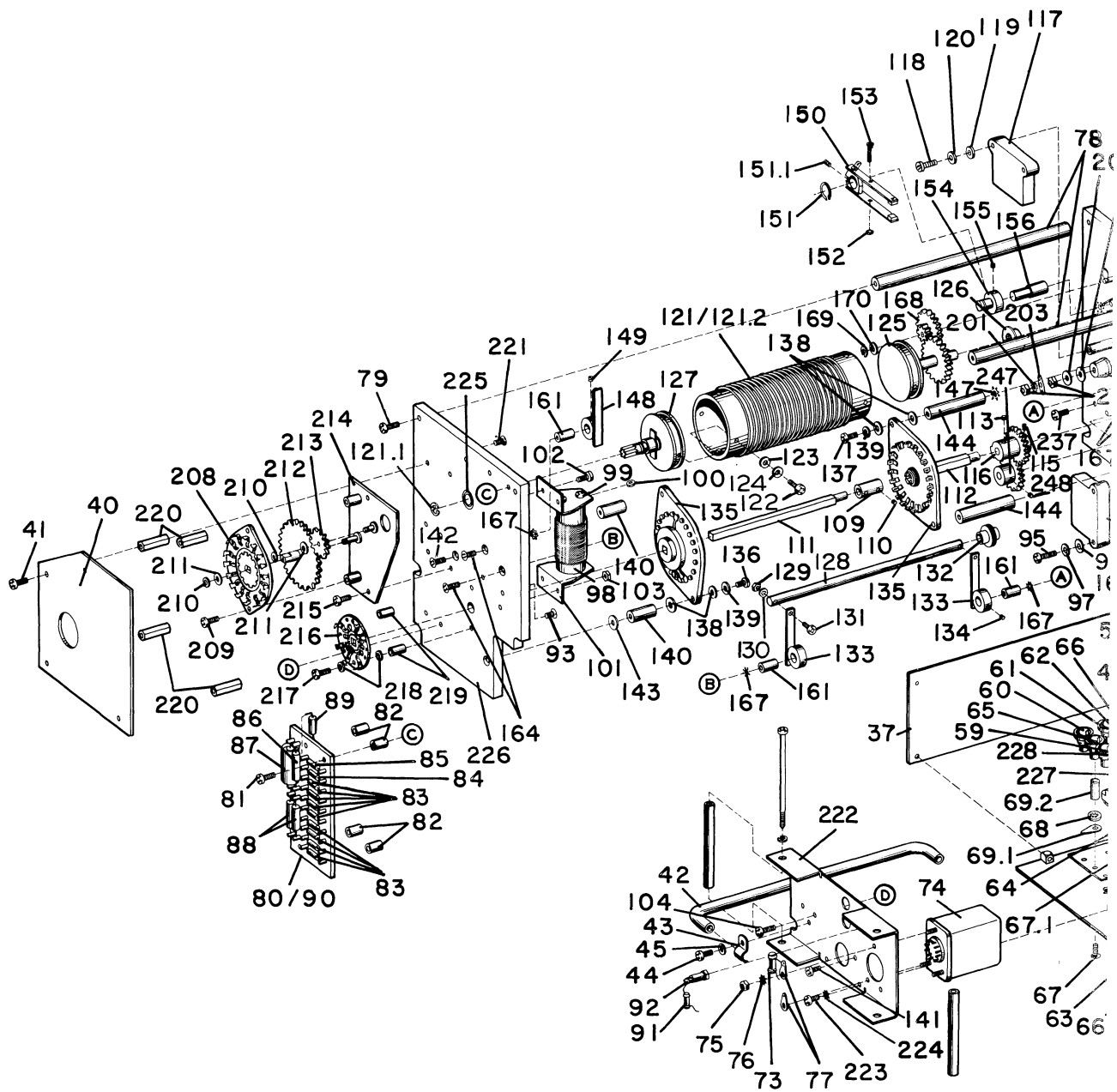


Figure 17. RF Amplifier (No Mod, Mod-1 thru Mod-6)



Section II  
Group Assembly Parts List

T.O. 12R2-4-6-4

FIG. & INDEX NO.	PART NO.	DESCRIPTION							UNITS PER ASSY.	USABLE ON CODE
		1	2	3	4	5	6	7		
17-		(ATTACHING PARTS)								
-8	COML	.	NUT, Square, 4-40, STL, CAD PL	Fed Mfr Code	. . . .			1		
			77250 (334-0485-00)							
-9	COML	.	WASHER, Lock, 0.125 ID, 0.187 OD, 0.312 IN. THK,	SST Fed Mfr Code 78189 (310-3340-00)	. . . .			1		
-10	324-0300-00	.	SCREW, Cap, socket HD, FIL H W/multiple spline	recess, 4-40 THD, 1/2 IN. LG, STL, CAD PL	. . . .			1		
			-----*							
-11	540-9956-002	.	CLAMP, Shaft (Used effective RF Amplifier MOD-3	thru MOD-6)	. . . .			1		
			(ATTACHING PARTS)							
-12	COML	.	NUT, Square, 4-40, STL, CAD PL	Fed Mfr Code	. . . .			1		
			77250 (334-0485-00)							
-13	COML	.	WASHER, Lock, 0.125 ID, 0.187 OD, 0.312 IN. THK,	SST Fed Mfr Code 78189 (310-3340-00)	. . . .			1		
-14	324-0300-00	.	SCREW, Cap, socket HD, FIL H W/ multiple spline	recess, 4-40 THD, 1/2 IN. LG, STL, CAD PL	. . . .			1		
			-----*							
-15	540-7420-002	.	COUPLING, Rigid, split hub (Used effective RF	Amplifier MOD-3 thru MOD-6)	. . . .			1		
-16	COML	.	WASHER, Flat, SIL PL BRS, 0.038 IN. THK, 0.203 ID,	0.437 OD Fed Mfr Code 79807 (310-0059-00)	. . . .			3		
-17	COML	.	WASHER, Curved, 0.203 ID, 3/8 OD, 0.012 IN. THK,	STL, CAD PL Fed Mfr Code 79807 (310-0148-00)	. . . .			2		
-18	SPP-3	.	CLIP, Electrical, BRS, 9/16 X 5/8 X 1-1/8 IN.	Fed Mfr Code 42498 (301-1002-00)	. . . .			3		
-19	506-7393-002	.	SUPPRESSOR, Parasitic, one 33 ohms, 1 W resistor	. . . .				3		
-20	506-7404-002	.	BOARD, Terminal, general purpose	. . . . .				1		
			(ATTACHING PARTS)							
-21	MS35214-27	.	SCREW, Machine, cross recessed pan HD, 6-32 X 1/2	IN. LG, BRS, NI PL (343-0332-00)	. . . .			1		
-22	COML	.	WASHER, Nonmetallic, corprene, 0.032 IN. THK,	0.147 ID, 0.375 OD Fed Mfr Code 79807	. . . .			1		
			(302-0026-00)							
			-----*							
-23	NS4W0112	.	INSULATOR, Standoff (190-0014-00) (Used effective	RF Amplifier No MOD, MOD-1, MOD-2)	. . . .			1		
			(ATTACHING PARTS)							
-24	COML	.	WASHER, Nonmetallic, corprene, 0.032 IN. THK,	0.147 ID, 0.375 OD Fed Mfr Code 79807	. . . .			3		
			(302-0026-00)							
-25	506-7405-002	.	WASHER, Flat, 0.147 ID, 0.750 OD, 0.031 IN. THK, BRS	. . . .				1		
-26	COML	.	STUD, Continuous thread, CAD PL BRS, 6-32 X 3/4 IN.	LG Fed Mfr Code 77250 (312-3080-00)	. . . .			1		
-27	NS4W0106	.	INSULATOR, Standoff (190-0011-00)	. . . .				1		
-28	MS35216-24	.	SCREW, Machine, cross recessed pan HD, 6-32 X	5/16 IN. LG (343-0168-00)	. . . .			1		
			-----*							
-29	540-9225-003	.	STANDOFF, AL, 1.250 IN. LG, tapped 6-32	(Used effective RF Amplifier MOD-3 thru MOD-6)	. . . . .			1		
			(ATTACHING PARTS)							
-30	COML	.	WASHER, Nonmetallic, corprene, 0.032 IN. THK, 0.147 ID,	0.375 OD Fed Mfr Code 79807 (302-0026-00)	. . . .			3		
-31	506-7405-002	.	WASHER, Flat, 0.147 ID, 0.750 OD, 0.031 IN. THK, BRS	. . . .				1		
-32	COML	.	STUD, Continuous thread, CAD PL BRS, 6-32 X 1/2	IN. LG Fed Mfr Code 77250 (312-3050-00)	. . . .			1		

FIG. & INDEX NO.	PART NO.	DESCRIPTION	UNITS PER ASSY.	USABLE ON CODE		
					1	2
17-33	913-0823-00	. CAPACITOR, Fixed, ceramic dielectric, 12 UUF ±5%, . . . 5000 V (Used effective serial #6558 Contract AF33(600)36629)	1			
-33	913-0832-00	. CAPACITOR, Fixed, ceramic dielectric, 10 UUF ±5%, . . . 5000 V (Used through serial #6053 Contract AF33(600)33900)	1			
-34	MS35216-24	. SCREW, Machine, cross recessed pan HD, 6-32 X 5/16 IN. LG (343-0168-00)	1			
-35	AN936B6B	. WASHER, Lock, 0.150 ID, 0.317 OD, 0.020 IN. THK, . . . PH BRZ, CAD PL (373-7020-00)	2			
-36	541-6091-002	. SPACER, Sleeve, AL . . . . .	1			
-37	506-7442-004	. PLATE, Side . . . . . (ATTACHING PARTS)	2			
-38	MS35214-12	. SCREW, Machine, cross recessed pan HD, 4-40 X 1/4 IN. . LG, BRS, NI PL (343-0285-00)	12			
-39	AN936B4B	. WASHER, Lock, 0.123 ID, 0.255 OD, 0.016 IN. THK . . . . PH BRZ (373-7010-00)	12			
-40	506-4380-002	. PLATE, Cover, switch . . . . . (ATTACHING PARTS)	1			
-41	MS35214-12	. SCREW, Machine, cross recessed pan HD, 4-40 X 1/4 . . IN. LG, BRS, NI PL (343-0285-00)	4			
-42	505-7424-003	. CONDUIT, COP, SIL PL . . . . .	1			
-43	505-4435-002	. CLAMP, Cable . . . . . (ATTACHING PARTS)	1			
-44	MS35214-13	. SCREW, Machine, cross recessed pan HD, 4-40 X . . . . . 5/16 IN. LG, BRS, NI PL (343-0286-00)	1			
-45	COML	. WASHER, Flat, 0.125 ID, 0.312 OD, 0.028 IN. THK, . . . . BRS, NI PL Fed Mfr Code 79807 (310-0054-00)	1			
-46	913-2750-00	. CAPACITOR, Fixed, ceramic dielectric, 3300 UUF . . . . ±20%, 500 V	1			
-47	913-0835-00	. CAPACITOR, Fixed, ceramic dielectric, 63 UUF ±5%, . . . 5000 V (Used effective RF Amplifier No MOD only)	1			
-47	913-0833-00	. CAPACITOR, Fixed, ceramic dielectric, 100 UUF ±5%, . . . 5000 V (Used effective RF Amplifier MOD-1 thru MOD-6)	1			
-48	913-0834-00	. CAPACITOR, Fixed, ceramic dielectric, 50 UUF ±5%, . . . 5000 V	1			
-49	913-0835-00	. CAPACITOR, Fixed, ceramic dielectric, 63 UUF ±5%, . . . 5000 V (Used effective RF Amplifier No MOD only)	6			
-49	913-0833-00	. CAPACITOR, Fixed, ceramic dielectric, 100 UUF ±5%, . . . 5000 V (Used effective RF Amplifier MOD-1 thru MOD-6) (ATTACHING PARTS for 47, 48 and 49)	6			
-50	MS35198-24	. SCREW, Machine, cross recessed FIL H, 6-32 X 5/16 . . . IN. LG, BRS, NI PL (342-0167-00)	8			
-51	MS35214-22	. SCREW, Machine, cross recessed pan head, 6-32 X . . . . 3/16 IN. LG, BRS, NI PL (343-0327-00)	8			
-52	AN936B6B	. WASHER, Lock, 0.150 ID, 0.317 OD, 0.020 IN. THK, . . . . PH BRZ, CAD PL (373-7020-00)	17			
-53	2102-6	. TERMINAL, Lug, PH BRZ Fed Mfr Code 78189 . . . . . (304-3120-00) (Used effective No MOD, MOD-1 thru MOD-4)	8			

Section II  
Group Assembly Parts List

T.O. 12R2-4-6-4

FIG. & INDEX NO.	PART NO.	DESCRIPTION	UNITS PER ASSY.	USABLE ON CODE		
					1	2
17-54	DA-858-003	. CAPACITOR, Fixed, ceramic dielectric, 1000 UUF . . . . ±20%, 5000 V Fed Mfr Code 71590 (913-0101-00) (ATTACHING PARTS)	1			
-55	MS35198-24	. SCREW, Machine, cross recessed FIL H, 6-32 X . . . . 5/16 IN. LG, BRS, NI PL (342-0167-00)	1			
-56	MS35214-22	. SCREW, Machine, cross recessed pan HD, 6-32 X . . . . 3/16 IN. LG, BRS, NI PL (343-0327-00)	1			
-57	AN936B6B	. WASHER, Lock, 0.150 ID, 0.317 OD, 0.020 IN. THK . . . PH BRZ, CAD PL (373-2020-00)	1			
-58	2522-06-00	. TERMINAL, Lug, BRS Fed Mfr Code 78189 (304-4200-00) -----*	2			
-59	912-0727-00	. CAPACITOR, Fixed, mica dielectric, 480 UUF ±2%, . . . . 500 V (Used effective RF Amplifier No MOD only)	1			
-59	912-0733-00	. CAPACITOR, Fixed, mica, 350 UUF, ±2%, 500 V . . . . (Used effective RF Amplifier MOD-1 thru MOD-6)	1			
-60	912-0735-00	. CAPACITOR, Fixed, mica dielectric, 1000 UUF ±2%, . . . 500 V	1			
-61	912-1135-00	. CAPACITOR, Fixed, mica dielectric, 2000 UUF ±2%, . . .	1			
-62	M72-16876-1	. CAPACITOR, Fixed, mica dielectric, 1100 UUF ±2%, . . . 500 V Fed Mfr Code 53021 (912-0744-00) (Used effective RF Amplifier No MOD only)	1			
-62	912-0730-00	. CAPACITOR, Fixed, mica dielectric, 170 UUF ±2%, . . . 500 V (Used effective RF Amplifier MOD-1 thru MOD-6) (ATTACHING PARTS)	1			
-63	COML	. SCREW, Machine, cross recessed FH, 3-48 X 1/4 IN. LG, . BRS, NI PL Fed Mfr Code 77250 (342-0778-00)	4			
-64	AN936B4B	. WASHER, Lock, 0.123 ID, 0.255 OD, 0.016 IN. THK, . . . PH BRZ (373-7010-00) -----*	4			
-65	912-0730-00	. CAPACITOR, Fixed, mica, 170 UUF ±2%, 500 V . . . . . (Used effective RF Amplifier No MOD only)	1			
-65	912-0752-00	. CAPACITOR, Fixed, mica, 150 UUF ±2%, 500 V . . . . . (Used effective RF Amplifier MOD-1 thru MOD-4)	1			
-65	912-2302-00	. CAPACITOR, Fixed, mica dielectric, 150 UUF ±2%, . . . 500 V (Used effective RF Amplifier MOD-5 and MOD-6)	1			
-66	912-0748-00	. CAPACITOR, Fixed, mica dielectric, 400 UUF ±2%, . . . . 500 V (Used effective RF Amplifier No MOD only)	1			
-66	912-0743-00	. CAPACITOR, Fixed, mica dielectric, 880 UUF ±2%, . . . . 500 V (Used effective RF Amplifier MOD-1 thru MOD-6) (ATTACHING PARTS)	1			
-66.1	COML	. SCREW, Machine, cross recessed FH, 3-48 X 1/4 IN. . . . LG, BRS, NI PL Fed Mfr Code 77250 (342-0778-00) (Used effective No MOD, MOD-1 thru MOD-6)	1			
-66.1	COML	. SCREW, Machine, cross recessed FH, 3-48 X 1/4 IN. . . . LG, BRS, NI PL Fed Mfr Code 77250 (342-0778-00) (Used effective No MOD, MOD-1 thru MOD-4)	1			
-67	MS352198-27	. SCREW, Machine, cross recessed FH, 6-32 X 1/2 IN. . . . LG, BRS, NI PL (342-0170-00) (Used effective MOD-5 and MOD-6)	1			
-67.1	AN936B4B	. WASHER, Lock, 0.123 ID, 0.255 OD, 0.016 IN. THK, . . . PH BRZ (373-7010-00) (Used effective MOD-2 thru MOD-4)	2			



FIG. & INDEX NO.	PART NO.	DESCRIPTION	UNITS PER ASSY.	USABLE ON CODE		
					1	2
17-67.1	AN936B4B	. WASHER, Lock, 0.123 ID, 0.255 OD, 0.016 IN. THK . . . . . PH BRZ (373-7010-00) (Used effective MOD-5 and MOD-6)	1			
-68	AN936A6B	. WASHER, Lock, 0.150 ID, 0.285 OD, 0.018 IN. THK, . . . . PH BRZ, CAD PL (373-3020-00) (Used effective MOD-5 and MOD-6)	1			
-69	2102-04-00	. TERMINAL, Lug, PH BRZ Fed Mfr Code 78189 . . . . . (304-3110-00) (Used effective No MOD, MOD-1 thru MOD-6)	1			
-69.1	2102-04-00	. TERMINAL, Lug, PH BRZ Fed Mfr Code 78189 . . . . . (304-3110-00) (Used effective No MOD, MOD-1 thru MOD-4)	1			
-69.1	2102-6	. TERMINAL, Lug, PH BRZ Fed Mfr Code 78189 . . . . . (304-3120-00) (Used effective MOD-5 and MOD-6)	1			
-69.2	541-6017-002	. SPACER, Sleeve, AL, chromate dip, 0.152 ID, 0.250 OD, . 0.125 IN. LG (Used effective RF Amplifier MOD-5) -----*-----	1			
-70	506-7408-002	. TRANSFORMER, RF, 144 turns close wound, tapped . . . . at 95 turns (ATTACHING PARTS)	1			
-71	MS35198-28	. SCREW, Machine, cross recessed FH, 6-32 X 5/8 IN. . . . LG, BRS, NI PL (342-0171-00)	2			
-72	540-5367-002	. SPACER, 3/4 IN. LG X 1/4 IN. W (Used effective RF . . . Amplifier MOD-4 thru MOD-6) -----*-----	1			
-73	913-2750-00	. CAPACITOR, Fixed, ceramic dielectric, 3300 UUF . . . . . ±20%, 500 V	1			
-74	22300-62	. RELAY, Armature, 3C Fed Mfr Code 80089 . . . . . (974-0219-00) (ATTACHING PARTS)	1			
-75	AN340B4	. NUT, HEX, 4-40, BRS, NI PL (313-0051-00) . . . . .	3			
-76	AN936B4B	. WASHER, Lock, 0.123 ID, 0.255 OD, 0.016 IN. THK, . . . . PH BRZ (373-7010-00)	3			
-77	2102-04-00	. TERMINAL, Lug, PH BRZ Fed Mfr Code 78189 . . . . . (304-3110-00) -----*-----	2			
-78	506-7349-002	. POST, Supporting . . . . . (ATTACHING PARTS)	2			
-79	MS35214-27	. SCREW, Machine, cross recessed pan HD, 6-32 X 1/2 IN. . LG, BRS, NI PL (343-0332-00) -----*-----	4			
-80	506-7440-004	. BOARD, Terminal . . . . . (ATTACHING PARTS)	1			
-81	MS35214-16	. SCREW, Machine, cross recessed pan HD, 4-40 X . . . . . 1/2 IN. LG, BRS, NI PL (343-0289-00)	4			
-82	500-5273-001	. POST, Spacing . . . . . -----*-----	4			
-83	RC20GF333K	. . RESISTOR, Fixed, COMP, 33,000 ohms ±10%, . . . . . 1/2 W (745-1415-00)	8			
-84	1N198	. . SEMICONDUCTOR DEVICE, Diode, germanium . . . . . (353-0160-00)	1			
-85	RC20GF272K	. . RESISTOR, Fixed, COMP, 2700 ohms ±10%, 1/2 W . . . . (745-1370-00)	1			
-86	96P10301S4	. . CAPACITOR, Fixed, paper dielectric, 10,000 UUF . . . . ±20%, 100 V Fed Mfr Code 56289 (931-2497-00)	1			

Section II  
Group Assembly Parts List

T.O. 12R2-4-6-4

FIG. & INDEX NO.	PART NO.	DESCRIPTION							UNITS PER ASSY.	USABLE ON CODE
		1	2	3	4	5	6	7		
17-87	18-1117	.	.	COIL, RF, 2.0 UH	Electro Assemblies, Inc.	.	.	.	1	
				(240-0134-00)						
-88	RC32GF103K	.	.	RESISTOR, Fixed, COMP, 10,000 ohms ±10%, 1 W		.	.	.	2	
				(745-3394-00)						
-89	RC20GF472K	.	.	RESISTOR, Fixed, COMP, 4700 ohms ±10%, 1/2 W		.	.	.	1	
				(745-1380-00)						
-90	506-7348-002	.	.	BOARD, Terminal, staked		.	.	.	1	
-91	CC20CH050D	.	.	CAPACITOR, Fixed, ceramic dielectric, 5 UUF ±1/2		.	.	.	1	
				UUF, 500 V (916-0118-00)						
-92	306-0234-00	.	.	TERMINAL, Stud, BRS		.	.	.	1	
				(ATTACHING PARTS)						
-93	MS35214-15	.	.	SCREW, Machine, cross recessed pan HD, 4-40 X		.	.	.	1	
				7/16 IN. LG, BRS, NI PL (343-0288-00)						
				-----*-----						
-94	CM45B102K	.	.	CAPACITOR, Fixed, mica dielectric, 1000 UUF ±10%,		.	.	.	1	
				2500 V (936-0249-00)						
				(ATTACHING PARTS)						
-95	MS35214-17	.	.	SCREW, Machine, cross recessed pan HD, 4-40 X 5/8		.	.	.	2	
				IN. LG, BRS, NI PL (343-0290-00)						
-96	COML	.	.	WASHER, Nonmetallic, corprene, 0.125 ID, 0.312 OD,		.	.	.	2	
				0.032 IN. THK Fed Mfr Code 79807 (302-0024-00)						
-97	COML	.	.	WASHER, Flat, BRS, 0.028 IN. THK, 0.125 ID, 0.312 OD		.	.	.	2	
				Fed Mfr Code 79807 (310-0054-00)						
				-----*-----						
-98	506-7406-002	.	.	COIL, RF, single layer wound		.	.	.	1	
				(ATTACHING PARTS)						
-99	MS35214-24	.	.	SCREW, Machine, cross recessed pan HD, 6-32 X		.	.	.	4	
				5/16 IN. LG, BRS, NI PL (343-0329-00)						
-100	COML	.	.	WASHER, Nonmetallic, corprene, 0.147 ID, 0.312 OD,		.	.	.	4	
				0.032 IN. THK Fed Mfr Code 03938 (302-0025-00)						
				-----*-----						
-101	506-7403-002	.	.	SUPPORT, Coil		.	.	.	2	
				(ATTACHING PARTS)						
-102	MS35214-12	.	.	SCREW, Machine, cross recessed pan HD, 4-40 X		.	.	.	2	
				1/4 IN. LG, BRS, NI PL (343-0285-00)						
-103	AN340B4	.	.	NUT, HEX, 4-40, BRS, NI PL (313-0051-00)		.	.	.	2	
-104	MS35214-16	.	.	SCREW, Machine, cross recessed pan HD, 4-40 X		.	.	.	2	
				1/2 IN. LG, BRS, NI PL (343-0289-00)						
				-----*-----						
-105	974-0365-00	.	.	RELAY, Armature, 4 break-make CONT		.	.	.	1	
				arrangement						
				(ATTACHING PARTS)						
-106	AN340B4	.	.	NUT, HEX, 4-40, BRS, NI PL (313-0051-00)		.	.	.	3	
-107	AN936B4B	.	.	WASHER, Lock, 0.123 ID, 0.255 OD, 0.016 IN. THK,		.	.	.	3	
				PH BRZ (373-7010-00)						
-108	2102-04-00	.	.	TERMINAL, Lug, PH BRZ Fed Mfr Code 78189		.	.	.	2	
				(304-3110-00)						
				-----*-----						
-109	506-4382-002	.	.	COUPLER, Rigid		.	.	.	1	
				(ATTACHING PARTS)						
-110	COML	.	.	SETSCREW, Headless, multiple spline drive, SST,		.	.	.	4	
				4-48 X 0.135 IN. LG Fed Mfr Code 08664						
				(328-0005-00)						
				-----*-----						
-111	506-4381-002	.	.	SHAFT, Switch		.	.	.	1	
-112	506-7377-002	.	.	SHAFT, Switch intermediate		.	.	.	1	

FIG. & INDEX NO.	PART NO.	DESCRIPTION						UNITS PER ASSY.	USABLE ON CODE
		1	2	3	4	5	6		
17-		(ATTACHING PARTS)							
-113	COML	.	SETScrew, Multiple spline drive, SST, 6-32 X	.	1/8 IN. LG Fed Mfr Code 08664 (328-0018-00)		2		
		-----*-----							
-114	506-7386-002	.	SHAFT, Front	.			1		
		(ATTACHING PARTS)							
-115	COML	.	PIN, Groove, 1/2 IN. LG, SST Fed Mfr Code 91738	.	(311-0017-00)		1		
		-----*-----							
-116	506-7343-002	.	CAM, Switch	.			1		
-117	CM50B472K	.	CAPACITOR, Fixed, mica dielectric, 4700 UUF ±10%,	.	2500 V (JAN-C-5) (936-1104-00)		1		
		(ATTACHING PARTS)							
-118	MS35214-18	.	SCREW, Machine, cross recessed pan HD, 4-40 X 3/4	.	IN. LG, BRS, NI PL (343-0291-00)		2		
-119	COML	.	WASHER, Nonmetallic, corprene, 0.125 ID, 0.312 OD,	.	0.032 IN. THK Fed Mfr Code 79807 (302-0024-00)		2		
-120	COML	.	WASHER, Flat, BRS, 0.125 ID, 0.312 OD, 0.028 IN. THK	.	Fed Mfr Code 79807 (310-0054-00)		2		
		-----*-----							
-121	506-7443-004	.	COIL, RF, single layer wound	.			1		
		(ATTACHING PARTS)							
-121.1	5133-18-S	.	RING, Retainer, STL, CAD PL Fed Mfr Code 79136	.	(340-0090-00)		1		
		-----*-----							
-121.2	506-7429-003	.	COIL, RF	.			1		
-122	MS35214-14	.	SCREW, Machine, cross recessed pan HD, 4-40 X	.	3/8 IN. LG, BRS, NI PL (343-0287-00)		8		
-123	COML	.	WASHER, Nonmetallic, corprene, 0.125 ID, 0.312	.	OD, 0.032 IN. THK Fed Mfr Code 79807 (302-0024-00)		8		
-124	COML	.	WASHER, Flat, BRS, 0.125 ID, 0.312 OD, 0.028 IN.	.	THK Fed Mfr Code 79807 (310-0054-00)		8		
-125	506-7371-002	.	HUB, Coil form	.			1		
-126	540-5777-002	.	WASHER, Shouldered, laminated plastic, 0.242 ID,	.	5/8 OD, 0.020 IN. THK		1		
-127	506-7354-002	.	HUB, Coil form	.			1		
-128	506-7342-002	.	SHAFT, Contact wheel	.			1		
		(ATTACHING PARTS)							
-129	AN340B2	.	NUT, HEX, 2-56, BRS, NI PL (313-0050-00)	.			2		
-130	AN936A2B	.	WASHER, Lock, 0.095 ID, 0.185 OD, 0.012 IN. THK	.	(373-3120-00)		2		
-131	MS35214-4	.	SCREW, Machine, cross recessed pan HD, 2-56 X	.	5/16 IN. LG (343-0300-00)		2		
		-----*-----							
-132	506-7341-002	.	WHEEL, Contact	.			1		
-133	506-7383-002	.	SUPPORT, Contact wheel	.			2		
		(ATTACHING PARTS)							
-134	COML	.	SETScrew, Headless, multiple spline drive, SST,	.	4-48 X 0.135 IN. LG Fed Mfr Code 08664 (328-0005-00)		4		
		-----*-----							
-135	PS234-001	.	SWITCH SECTION, Rotary, 4 moving, 18 fixed CONT	.	Fed Mfr Code 71590 (269-1627-00)		2		
		(ATTACHING PARTS)							
-136	MS35214-24	.	SCREW, Machine, cross recessed pan HD, 6-32 X	.	5/16 IN. LG, BRS, NI PL (343-0329-00)		4		

Section II  
Group Assembly Parts List

T.O. 12R2-4-6-4

FIG. & INDEX NO.	PART NO.	DESCRIPTION	UNITS PER ASSY.	USABLE ON CODE		
					1	2
17-137	MS35214-13	• SCREW, Machine, cross recessed pan HD, 4-40 X . . . . . 5/16 IN. LG, BRS, NI PL (343-0286-00)	2			
-138	COML	• WASHER, Nonmetallic, corprene, 0.147 ID, 0.375 OD, . . . 0.032 IN. THK Fed Mfr Code 79807 (302-0026-00)	8			
-139	COML	• WASHER, Flat, 0.147 ID, 0.312 OD, 0.032 IN. THK, . . . . . phenolic Fed Mfr Code 79807 (310-0055-00)	4			
-140	NS4W0105	• *----- INSULATOR, Standoff (JAN-I-8) (190-0010-00) . . . . . (ATTACHING PARTS)	2			
-141	MS35198-26	• SCREW, Machine, cross recessed FH, 6-32 X 7/16 IN. . . . LG, BRS, NI PL (342-0169-00)	1			
-142	MS35214-27	• SCREW, Machine, cross recessed pan HD, 6-32 X . . . . . 1/2 IN. LG, BRS, NI PL (343-0332-00)	1			
-143	COML	• WASHER, Nonmetallic, corprene, 0.147 ID, 0.375 OD, . . . 0.032 IN. THK Fed Mfr Code 79807 (302-0026-00)	2			
-144	NS4W0112	• *----- INSULATOR, Standoff, ceramic (JAN-I-8) (190-0014-00) . . (ATTACHING PARTS)	2			
-145	MS35214-16	• SCREW, Machine, cross recessed pan HD, 4-40 X . . . . . 1/2 IN. LG, BRS, NI PL (343-0289-00)	1			
-146	MS35198-16	• SCREW, Machine, cross recessed FH, 4-40 X 1/2 IN. . . . LG, BRS, NI PL (342-0156-00)	1			
-147	AN936B4	• WASHER, Lock, 0.123 ID, 0.255 OD, 0.016 IN. THK . . . . . (373-8010-00)	2			
-148	506-7382-002	• *----- CONTACT, Coil, slip R (Used effective RF Amplifier . . . No MOD, MOD-1, MOD-2, MOD-3 only) (ATTACHING PARTS)	1			
-149	COML	• SETSCREW, Headless, multiple spline drive, SST, 4-48 X . . 0.135 IN. LG Fed Mfr Code 08664 (328-0005-00)	2			
-150	540-7429-003	• *----- CONTACT ASSY, Electrical (Used effective RF . . . . . Amplifier MOD-4 thru MOD-6) (ATTACHING PARTS)	1			
-151	5100-28-C	• RING, Retaining, BE COP, 0.256 ID, 0.025 IN. THK . . . . . Fed Mfr Code 79136 (340-0040-00)	1			
-151.1	COML	• SETSCREW, Headless, multiple spline drive, SST, . . . . . 4-48 X 0.135 IN. LG Fed Mfr Code 08664 (328-0005-00)	1			
-152	540-7427-002	• NUT, Plain, SQ, BRS, 2-56, 0.156 IN. across flats X . . . . 1/16 IN. H	1			
-153	AN500B4R-12	• SCREW, Machine, cross recessed FIL H, 2-56 X . . . . . 3/4 IN. LG, BRS, NI PL (347-0111-00)	1			
-154	540-7428-002	• *----- SLEEVE, Contact, AL, 0.375 IN. DIA X . . . . . 33/64 IN. LG (ATTACHING PARTS)	1			
-155	COML	• SETSCREW, Headless, multiple spline drive, SST, . . . . . 4-48 X 0.135 IN. LG Fed Mfr Code 08664 (328-0005-00)	1			
-156	506-7415-002	• *----- POST, Supporting . . . . . (ATTACHING PARTS)	1			
-157	MS35198-16	• SCREW, Machine, cross recessed FH, 4-40 X 1/2 IN. LG, . . BRS, NI PL (342-0156-00)	1			
-157.1	AN936B4	• WASHER, Lock, 0.123 ID, 0.255 OD, 0.016 IN. THK, . . . . SST (373-8010-00)	1			
		• *-----				

FIG. & INDEX NO.	PART NO.	DESCRIPTION	UNITS PER ASSY.	USABLE ON CODE
17-158	542-5471-002	. CONTACT, Slip R (Used effective RF Amplifier . . . . . MOD-4 thru MOD-6)	1	
-159	506-7387-002	. CONTACT, Coil, support fixed . . . . . (ATTACHING PARTS)	1	
-160	COML	. SETSCREW, Headless, multiple spline drive, SST, . . . . . 4-48 X 0.135 IN. LG Fed Mfr Code 08664 (328-0005-00) -----*-----	4	
-161	540-7430-002	. POST, Supporting . . . . .	3	
-162	506-7360-002	. POST, Supporting . . . . .	2	
-163	506-7361-002	. POST, Supporting . . . . . (ATTACHING PARTS)	4	
-164	MS35198-15	. SCREW, Machine, cross recessed FH, 4-40 X 7/16 . . . . . IN. LG, BRS, NI PL (342-0155-00)	2	
-165	MS35214-16	. SCREW, Machine, cross recessed pan HD, 4-40 X . . . . . 1/2 IN. LG, BRS, NI PL (343-0289-00)	4	
-166	MS35198-16	. SCREW, Machine, cross recessed FH, 4-40 X 1/2 IN. . . . . LG, BRS, NI PL (342-0156-00)	3	
-167	AN936B4	. WASHER, Lock, 0.123 ID, 0.255 OD, 0.016 IN. THK, . . . . . SST (373-8010-00) -----*-----	5	
-168	506-7398-002	. GEAR ASSY, Composite, one 108 teeth, one 18 teeth . . . . . (ATTACHING PARTS)	1	
-169	5133-12-S	. RING, Retainer, STL Fed Mfr Code 79136 (340-0087-00) . . . . .	1	
-170	506-7402-002	. WASHER, Flat, 0.135 ID, 0.312 OD, 0.017 IN. THK, SST . . . . . -----*-----	1	
-171	506-7391-002	. CONDUIT, COP . . . . . (ATTACHING PARTS)	1	
-172	MS35214-13	. SCREW, Machine, cross recessed pan HD, 4-40 X 5/16 . . . . . IN. LG, BRS, NI PL (343-0286-00)	3	
-173	AN936B4	. WASHER, Lock, 0.123 ID, 0.255 OD, 0.016 IN. THK, . . . . . SST (373-8010-00) -----*-----	1	
-174	97	. GROMMET, Rubber, neoprene, 1/4 ID, 5/8 OD, . . . . . 3/16 IN. H Fed Mfr Code 70485 (201-0002-00)	1	
-175	506-7452-005	. TUBE CHASSIS, RF Amplifier (See figure 18) . . . . . (ATTACHING PARTS)	1	
-176	MS35214-13	. SCREW, Machine, cross recessed pan HD, 4-40 X 5/16 . . . . . IN. LG, BRS (343-0286-00)	2	
-177	AN936B4	. WASHER, Lock, 0.123 ID, 0.255 OD, 0.016 IN. THK, . . . . . SST (373-8010-00) -----*-----	2	
-178	VCM15E101G	. CAPACITOR, Fixed, mica dielectric, 100 UUF $\pm 2\%$ , 500 V . . . . . Fed Mfr Code 72136 (912-0493-00) (Used effective RF Amplifier No MOD only)	1	
-178	928-4059-00	. CAPACITOR, Fixed, ceramic dielectric, 100 UUF $\pm 5\%$ , . . . . . 500 V Fed Mfr Code 00656 (928-4059-00) (Used effective RF Amplifier MOD-1 thru MOD-6)	1	
-179	154570	. PLUG, Tip, small banana CONT Fed Mfr Code 78947 . . . . . (361-0006-00)	1	
-180	ST-1050-34	. TERMINAL, Standoff, 1/4 IN. HEX X 9/16 IN. LG, . . . . . BRS Fed Mfr Code 16688 (306-0091-00) (ATTACHING PARTS)	1	
-181	MS35214-11	. SCREW, Machine, cross recessed pan HD, 4-40 X 3/16 . . . . . IN. LG, BRS, NI PL (343-0284-00) -----*-----	1	

Section II  
Group Assembly Parts List

T.O. 12R2-4-6-4

FIG. & INDEX NO.	PART NO.	DESCRIPTION	UNITS PER ASSY.	USABLE ON CODE		
					1	2
17-182	506-7378-002	. PLATE, Mounting . . . . . (ATTACHING PARTS)	1			
-183	AN340B4	. NUT, HEX, 4-40, BRS, NI PL (313-0051-00) . . . . .	4			
-184	COML	. WASHER, Flat, 0.093 ID, 0.250 OD, 0.028 IN. THK, . . . . . BRS, NI PL Fed Mfr Code 79807 (310-0054-00)	1			
-185	MS35214-12	. SCREW, Machine, cross recessed pan HD, 4-40 X . . . . . 1/4 IN. LG, BRS, NI PL (343-0285-00)	3			
-186	MS35214-14	. SCREW, Machine, cross recessed pan HD, 4-40 X . . . . . 3/8 IN. LG, BRS, NI PL (343-0287-00)	1			
-187	1126	. STRAP, Retaining, STL, accommodates 5/16 IN. DIA . . . . . material Fed Mfr Code 71785 (139-0311-00)	1			
-188	F-342	. BEARING, Sleeve, BRZ, flanged Fed Mfr Code 90646 . . . . . (309-5540-00)	1			
-189	506-7425-003	. PLATE, Front . . . . . (ATTACHING PARTS)	1			
-190	MS35214-12	. SCREW, Machine, cross recessed pan HD, 4-40 X 1/4 . . . . . IN. LG, BRS, NI PL (343-0285-00)	2			
-191	AN936B4	. WASHER, Lock, 0.123 ID, 0.255 OD, 0.016 IN. THK, . . . . . SST (373-8010-00)	2			
-192	126-806-1001	. CONNECTOR, Plug, 20 RD male CONT Fed Mfr Code . . . . . 89709 (372-1069-00) (ATTACHING PARTS)	1			
-193	AN340B4	. NUT, HEX, 4-40, BRS, NI PL (313-0051-00) . . . . .	2			
-194	MS35214-16	. SCREW, Machine, cross recessed pan HD, 4-40 X . . . . . 1/2 IN. LG, BRS, NI PL (343-0289-00)	2			
-195	506-7431-003	. PLATE, Connector . . . . .	1			
-196	15-5153-16	. MOTOR, Control, AC, 400 CPS, 2200 Fed Mfr . . . . . Code 90063 (229-0126-00) (ATTACHING PARTS)	1			
-197	MS35214-16	. SCREW, Machine, cross recessed pan HD, 4-40 X . . . . . 1/2 IN. LG, BRS, NI PL (343-0289-00)	3			
-198	505-5213-001	. CLAMP, Synchro . . . . .	3			
-199	COML	. STUD, Continuous THD, 6-32 X 1-1/2 IN. LG, BRS, . . . . . SIL PL Fed Mfr Code 77250 (312-0046-00) (ATTACHING PARTS)	1			
-200	COML	. NUT, HEX, 6-32, BRS, NI PL Fed Mfr Code 77250 . . . . . (313-0140-00)	4			
-201	AN936A6B	. WASHER, Lock, 0.150 ID, 0.285 OD, 0.018 IN. THK, . . . . . PH BRZ, CAD PL (373-3020-00)	2			
-202	2522-06-00	. TERMINAL, Lug, BRS Fed Mfr Code 78189 . . . . . (304-4200-00)	1			
-203	2110-06	. TERMINAL, Lug, PH BRZ Fed Mfr Code 78189 . . . . . (304-2720-00)	1			
-204	COML	. WASHER, Flat, 0.147 ID, 0.375 OD, 0.032 IN. THK, . . . . . BRS, NI PL Fed Mfr Code 79807 (310-0056-00)	2			
-205	COML	. WASHER, Nonmetallic, corprene, 0.147 ID, 0.375 OD, . . . . . 0.032 IN. THK Fed Mfr Code 79807 (302-0026-00)	2			
-206	NS4W4101	. INSULATOR, Bowl (JAN-I-8) (190-0001-00) . . . . .	1			
-207	NS4W4201	. INSULATOR, Bowl (JAN-I-8) (190-0005-00) . . . . .	1			
-208	57425-MF	. SWITCH SECTION, Rotary, 2 moving, 29 fixed CONT, . . . . . Fed Mfr Code 76854 (269-1621-00)	1			

FIG. & INDEX NO.	PART NO.	DESCRIPTION	UNITS PER ASSY.	USABLE ON CODE		
					1	2
17-		(ATTACHING PARTS)				
-209	MS35214-12	. SCREW, Machine, cross recessed pan HD, 4-40 X 1/4 IN. LG, BRS, NI PL (343-0285-00)	2			
-210	5133-9-S	. RING, Retaining, STL Fed Mfr Code 79136 (340-0086-00).	2			
-211	506-7367-002	. WASHER, Flat, 0.095 ID, 0.250 OD, 0.017 IN. THK, SST	2			
		-----*-----				
-212	506-7366-002	. GEAR, Spur, 156 teeth	1			
-213	506-7368-002	. GEAR ASSY, Composite, one 75 teeth, one 27 teeth	1			
-214	506-7353-002	. PLATE, Switch	1			
		(ATTACHING PARTS)				
-215	MS35214-12	. SCREW, Machine, cross recessed pan HD, 4-40 X 1/4 IN. LG, BRS, NI PL (343-0285-00)	4			
		-----*-----				
-216	57422-F	. SWITCH SECTION, Rotary, 1 moving, 5 fixed CONT, Fed Mfr Code 76854 (269-1628-00)	1			
		(ATTACHING PARTS)				
-217	AN500B4R-8	. SCREW, Machine, cross recessed FIL H, 4-40 X 1/2 IN. LG, BRS, NI PL (347-0094-00)	2			
-218	8942	. WASHER, Flat, 0.116 ID, 0.187 OD, 0.031 IN. THK, phenolic Fed Mfr Code 76854 (302-0262-00)	4			
-219	506-6967-002	. COLLAR, Spacing	2			
		-----*-----				
-220	506-4166-002	. POST, Spacing	4			
		(ATTACHING PARTS)				
-221	MS35214-16	. SCREW, Machine, cross recessed pan HD, 4-40 X 1/2 IN. LG, BRS, NI PL (343-0289-00)	4			
		-----*-----				
-222	506-7438-003	. PLATE, Rear, short	1			
		(ATTACHING PARTS)				
-223	MS35214-12	. SCREW, Machine, cross recessed pan HD, 4-40 X 1/4 IN. LG, BRS, NI PL (343-0285-00)	2			
-224	AN936B4B	. WASHER, Lock, 0.123 ID, 0.255 OD, 0.016 IN. THK, PH BRZ (373-7010-00)	2			
		-----*-----				
-225	309-0002-00	. BEARING, Ball, double shielded, plain finish Fed Mfr Code 43334 (309-0002-00)	2			
-226	506-7447-005	. PLATE, Rear, long	1			
-227	126-806-1001	. CONNECTOR, Plug, 20 RD male CONT Fed Mfr Code 89709 (372-1069-00)	1			
		(ATTACHING PARTS)				
-228	AN340B4	. NUT, HEX, 4-40, BRS, NI PL (313-0051-00)	2			
-229	MS35214-16	. SCREW, Machine, cross recessed pan HD, 4-40 X 1/2 IN. LG, BRS, NI PL (343-0289-00)	2			
		-----*-----				
-230	2102-04-00	. TERMINAL, Lug, PH BRZ Fed Mfr Code 78189 (304-3110-00)	1			
		(ATTACHING PARTS)				
-231	AN340B4	. NUT, HEX, 4-40, BRS, NI PL (313-0051-00)	1			
-232	AN936B4B	. WASHER, Lock, 0.123 ID, 0.255 OD, 0.016 IN. THK, PH BRZ (373-7010-00)	1			
-233	MS35198-13	. SCREW, Machine, cross recessed FH, 4-40 X 5/16 IN. LG, BRS, NI PL (342-0153-00)	1			
		-----*-----				
-234	506-7445-004	. PLATE, Bottom	1			
		(ATTACHING PARTS)				
-235	MS35214-13	. SCREW, Machine, cross recessed pan HD, 4-40 X 5/16 IN. LG, BRS, NI PL (343-0286-00)	3			
		-----*-----				

Section II  
Group Assembly Parts List

T.O. 12R2-4-6-4

FIG. & INDEX NO.	PART NO.	DESCRIPTION 1 2 3 4 5 6 7	UNITS PER ASSY.	USABLE ON CODE
17-236	506-7434-003	. BOARD, Terminal . . . . . (ATTACHING PARTS)	1	
-237	COML	. SCREW, cross recessed pan HD, 3-48 X 1/2 IN. LG, . . . BRS, NI PL Code 77250 (343-0392-00)	2	
-238	96P10301S4	. . CAPACITOR, Fixed, paper dielectric, 10,000 UUF . . ±20%, 100 V Fed Mfr Code 56289 (931-2497-00)	3	
-239	RC20GF104K	. . RESISTOR, Fixed, COMP, 100,000 ohms ±10%, . . . . 1/2 W (745-1436-00)	1	
-240	RC20GF224K	. . RESISTOR, Fixed, COMP, 220,000 ohms ±10%, . . . . 1/2 W (745-1450-00)	1	
-241	RN20X2212F	. . RESISTOR, Fixed, film, 22,100 ohms ±1%, 1/2 W . . . (705-2163-00)	2	
-242	RN20X1000F	. . RESISTOR, Fixed, film, 100 ohms ±1%, 1/2 W . . . . (705-2107-00)	2	
-243	RC20GF470K	. . RESISTOR, Fixed, COMP, 47 ohms ±10%, 1/2 W . . . (745-1296-00)	1	
* -244	RC20GF122K	. . RESISTOR, Fixed, COMP, 1200 ohms ±10%, 1/2 W . . . (745-1356-00)	AR	
* -244	RC20GF152K	. . RESISTOR, Fixed, COMP, 1500 ohms ±10%, . . . . . 1/2 W (745-1359-00)	AR	
* -244	RC20GF182K	. . RESISTOR, Fixed, COMP, 1800 ohms ±10%, . . . . . 1/2 W (745-1363-00)	AR	
* -244	RC20GF222K	. . RESISTOR, Fixed, COMP, 2200 ohms ±10%, . . . . . 1/2 W (745-1366-00)	AR	
* -244	RC20GF272K	. . RESISTOR, Fixed, COMP, 2700 ohms ±10%, . . . . . 1/2 W (745-1370-00)	AR	
* -244	RC20GF332K	. . RESISTOR, Fixed, COMP, 3300 ohms ±10%, . . . . . 1/2 W (745-1373-00)	AR	
* -244	RC20GF392K	. . RESISTOR, Fixed, COMP, 3900 ohms ±10%, . . . . . 1/2 W (745-1377-00)	AR	
* -244	RC20GF562K	. . RESISTOR, Fixed, COMP, 5600 ohms ±10%, . . . . . 1/2 W (745-1384-00)	AR	
* -244	RC20GF822K	. . RESISTOR, Fixed, COMP, 8200 ohms ±10%, . . . . . 1/2 W (745-1391-00)	AR	
-245	MP3016	. . SEMICONDUCTOR DEVICE SET, One matched pair . . germanium crystal diodes, type 1N198 Fed Mfr Code 82577 (353-0185-00)	1	
-246	1181	. . TERMINAL BOARD, Plastic Fed Mfr Code 88245 . . (306-0325-00)	1	
-247	506-7344-002	. GEAR, Spur, 45 teeth . . . . . (ATTACHING PARTS)	1	
-248	COML	. SETSCREW, SST, headless, multiple spline drive, 4-48 X . 0.135 IN. LG Fed Mfr Code 08664 (328-0005-00)	1	
-249	506-7376-002	. SHAFT, Switch . . . . .	1	
-250	CC20CH120J	. CAPACITOR, Fixed, ceramic dielectric, 12.0 UUF . . . . ±5%, 500 V (916-0141-00)	1	
-251	CC20CH050C	. CAPACITOR, Fixed, ceramic dielectric, 5 UUF ±1/4 . . UUF, 500 V (916-0117-00)	1	
-252	CC20CK020C	. CAPACITOR, Fixed, ceramic dielectric, 2 UUF ±1/4 . . UUF, 500 V (916-0075-00)	1	
-253	57424-FC	. SWITCH SECTION, Rotary, 2 moving, 9 fixed CONT, . . . 2 poles, AC, DC, 0.25 AMP, 230 V Fed Mfr Code 76854 (269-1620-00)	1	

\* Choose one resistor to meet the individual requirements of each RF Amplifier.



FIG. & INDEX NO.	PART NO.	DESCRIPTION 1 2 3 4 5 6 7	UNITS PER ASSY.	USABLE ON CODE
17-		(ATTACHING PARTS)		
-254	AN500B4R-12	. SCREW, Machine, cross recessed FIL H. 4-40 X . . . . . 3/4 IN. LG. STL, CAD PL (347-0096-00)	2	
-255	8942	. WASHER, Flat, 0.116 ID, 0.187 OD, 0.031 IN. THK, . . . . phenolic Fed Mfr Code 76854 (302-0262-00)	4	
-256	506-6967-002	. COLLAR, Spacing . . . . . -----*	2	
-257	506-7432-003	. PLATE, Mounting . . . . .	1	
-258	F-348-3	. BEARING, Sleeve, BRZ Fed Mfr Code 90646 . . . . . (309-0113-00)	1	
-259	506-7446-004	. PLATE, Front, long . . . . .	1	
18-	506-7452-005	TUBE CHASSIS, RF Amplifier (See figure 17-175 for . . . . next higher ASSY)	REF	
-1	VCM15E101G	. CAPACITOR, Fixed, mica dielectric, 100 UUF $\pm 2\%$ , . . . . 500 V Fed Mfr Code 72136 (912-0493-00)	1	
-2	917-1072-00	. CAPACITOR, Variable, ceramic, 3.0 to 18.0 UUF, . . . . 350 V	1	
		(ATTACHING PARTS)		
-3	MS35214-15	. SCREW, Machine, cross recessed pan HD, 4-40 X . . . . . 7/16 IN. LG. BRS, NI PL (343-0288-00)	2	
-4	506-1544-002	. PLATE, Capacitor MTG . . . . .	1	
-5	506-1546-002	. SLEEVE, Capacitor, spacing . . . . . -----*	1	
-6	506-7392-002	. SUPPRESSOR, Parasitic, one 10 ohm, 1 W resistor . . . . W/4 windings of wire	3	
-7	18-1117	. COIL, RF, 2.0 UH Electro Assemblies, Inc. (240-0134-00)	1	
-8	209C203A2	. CAPACITOR, Fixed, ceramic dielectric, 4700 UUF . . . . $\pm 20\%$ , 500 VDCW Fed Mfr Code 56289 (913-2751-00)	3	
-9	NS4W0105	. INSULATOR, Standoff (190-0010-00) . . . . .	1	
		(ATTACHING PARTS)		
-10	MS35214-23	. SCREW, Machine, cross recessed pan HD, 6-32 X . . . . . 1/4 IN. LG. BRS, NI PL (343-0328-00)	2	
-11	2110-06	. TERMINAL, Lug, PH BRZ Fed Mfr Code 78189 . . . . . (304-2720-00)	2	
-12	COML	. WASHER, Nonmetallic, 0.147 ID, 0.375 OD, 0.032 IN. . . . THK, corprene Fed Mfr Code 79807 (302-0026-00) -----*	2	
-13	RW30G800	. RESISTOR, Fixed, WW, 80 ohms $\pm 5\%$ , 8 W (747-0071-00) . . (ATTACHING PARTS)	1	
-14	MS35214-13	. SCREW, Machine, cross recessed pan HD, 4-40 X . . . . . 5/16 IN. LG. BRS, NI PL (343-0286-00)	1	
-15	AN936B4B	. WASHER, Lock, 0.123 ID, 0.255 OD, 0.016 IN. THK, . . . . PH BRZ, CAD PL (373-7010-00)	1	
-16	COML	. WASHER, Flat, 0.125 ID, 0.312 OD, 0.027 IN. THK, . . . . SST Fed Mfr Code 79807 (310-0045-00)	1	
-17	COML	. WASHER, Nonmetallic, 0.187 ID, 0.437 OD, 0.025 IN. . . . THK, NO. 1 India mica Fed Mfr Code 79807 (302-2300-00)	4	
-18	COML	. WASHER, Flat, 0.203 ID, 0.500 OD, 0.038 IN. THK, . . . . BRS, NI PL Fed Mfr Code 79807 (310-0060-00) -----*	1	

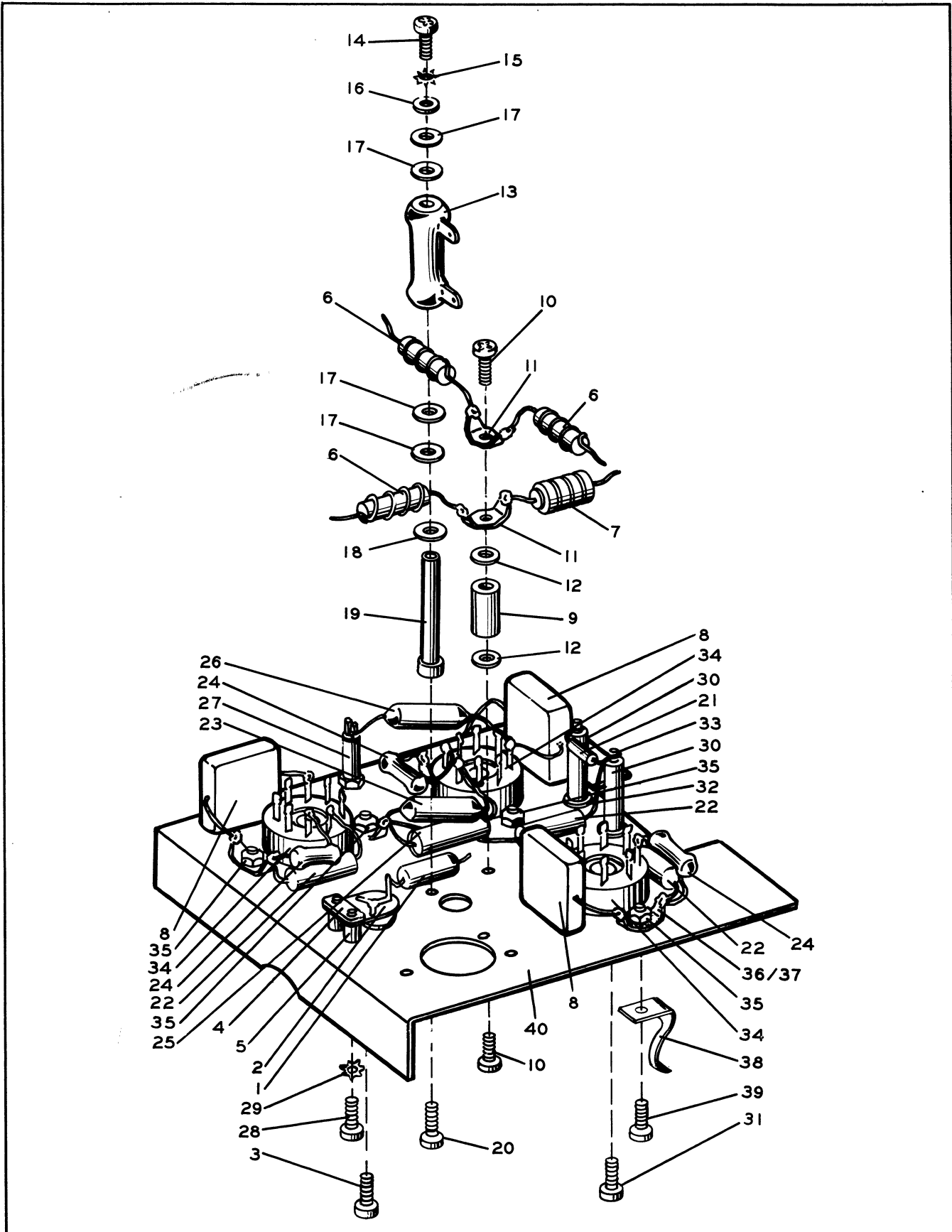


Figure 18. RF Amplifier Tube Chassis

FIG. & INDEX NO.	PART NO.	DESCRIPTION	UNITS PER ASSY.	USABLE ON CODE		
					1	2
18-19	503-0970-001	. POST, Spacing . . . . . (ATTACHING PARTS)	1			
-20	MS35214-26	. SCREW, Machine, cross recessed pan HD, 6-32 X 7/16 IN. LG, BRS, NI PL (343-0331-00)	1			
-21	RC20GF100K	. RESISTOR, Fixed, COMP, 10 ohms ±10%, 1/2 W (745-1268-00)	1			
-22	913-2142-00	. CAPACITOR, Fixed, ceramic dielectric, 0.02 UF +100%-20%, 500 V	3			
-23	747-9433-00	. RESISTOR, Fixed, WW, 10 ohms ±1%, 5 W . . . . .	1			
-24	913-2750-00	. CAPACITOR, Fixed, ceramic dielectric, 3300 UUF ±20%, 500 V	3			
-25	96P10401S2	. CAPACITOR, Fixed, paper dielectric, 100,000 UUF ±20%, 100 V Fed Mfr Code 56289 (931-0404-00)	1			
-26	747-9399-00	. RESISTOR, Fixed, WW, 7500 ohms ±3%, 5 W . . . . .	1			
-27	306-0233-00	. TERMINAL, Stud, BRS . . . . . (ATTACHING PARTS)	1			
-28	MS35214-11	. SCREW, Machine, cross recessed pan HD, 4-40 X 3/16 IN. LG, BRS, NI PL (343-0284-00)	1			
-29	AN936B4B	. WASHER, Lock, 0.123 ID, 0.255 OD, 0.016 IN. THK, PH BRZ, CAD PL (373-7010-00)	1			
-30	E-25179	. INSULATOR, Standoff Fed Mfr Code 70371 (190-1105-00). (ATTACHING PARTS)	2			
-31	MS35214-12	. SCREW, Machine, cross recessed pan HD, 4-40 X 1/4 IN. LG, BRS, NI PL (343-0285-00)	2			
-32	COML	. WASHER, Nonmetallic, 0.125 ID, 0.312 OD, 0.032 IN. THK, corprene Fed Mfr Code 79807 (302-0024-00)	2			
-33	502-1375-002	. TERMINAL, Lug, BRS, SIL PL . . . . .	2			
-34	88-8TM	. SOCKET, Tube, octal Fed Mfr Code 89709 (220-1005-00). (ATTACHING PARTS)	3			
-35	AN340B4	. NUT, HEX, 4-40, BRS, NI PL (313-0051-00) . . . . .	6			
-36	AN936B4B	. WASHER, Lock, 0.123 ID, 0.255 OD, 0.016 IN. THK, PH BRZ, CAD PL (373-7010-00)	6			
-37	2110-4	. TERMINAL, Lug, PH BRZ Fed Mfr Code 78189 (304-2710-00)	5			
-38	506-9444-002	. CLIP, Tube . . . . .	6			
-39	MS35214-13	. SCREW, Machine, cross recessed pan HD, 4-40 X 5/16 IN. LG, BRS, NI PL (343-0286-00)	6			
-40	506-7435-003	. PLATE, Tube socket . . . . .	1			
19-	506-6667-006	MODULATOR, Side view with board (See figure 3-6 for next higher ASSY) (Effective Modulator No MOD, MOD-1 thru MOD-6)	REF			
-1	506-6109-004	. COVER, Double . . . . . (ATTACHING PARTS)	1			
	506-6072-002	. SCREW, Machine, cross recessed FIL H, 4-40 X 3/8 IN. LG, SST	2			
	AN936B4	. WASHER, Lock, 0.123 ID, 0.255 OD, 0.016 IN. THK, SST (373-8010-00)	2			
-2	541-6554-003	. SHIELD, Electron tube, BRS . . . . .	2			
-3	5751	. ELECTRON TUBE, Double triode Fed Mfr Code 95445 (253-0012-00)	1			
-3.1	541-6533-003	. INSERT, Electron tube socket, COP . . . . .	1			

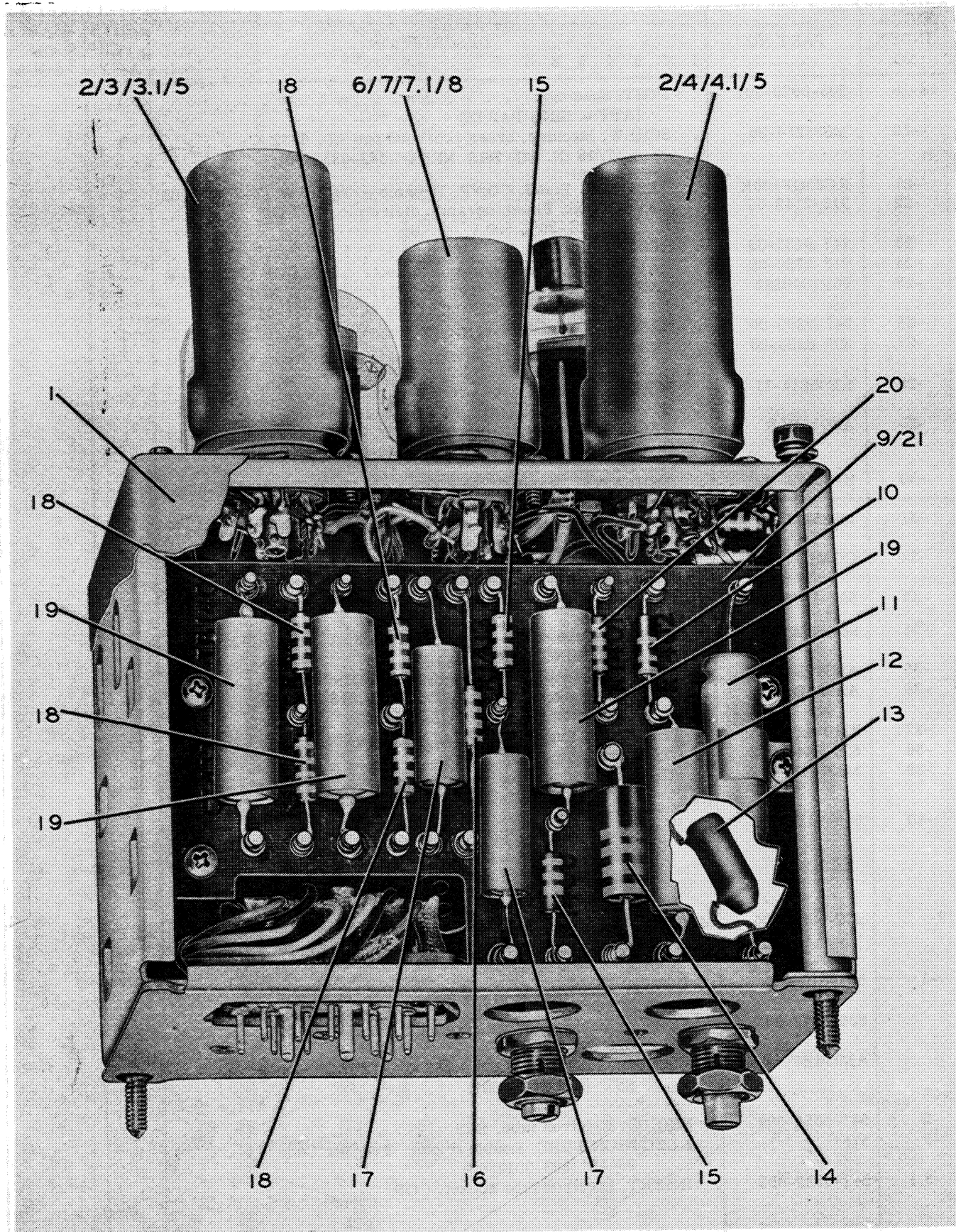


Figure 19. Modulator, Side View (No Mod, Mod-1 thru Mod-6)

FIG. & INDEX NO.	PART NO.	DESCRIPTION	UNITS PER ASSY.	USABLE ON CODE		
					1	2
19-4	5814A	. ELECTRON TUBE, Double triode Fed Mfr Code . . . . . 95445 (253-0013-00)	1			
-4.1	541-6533-003	. INSERT, Electron tube socket, COP . . . . .	1			
-5	TS103P01	. SOCKET, Tube, 9 CONT miniature (220-1103-00) . . . . . (ATTACHING PARTS)	2			
	AN340B4	. NUT, HEX, 4-40, BRS, NI PL (313-0051-00) . . . . .	4			
	AN936B4	. WASHER, Lock, 0.123 ID, 0.255 OD, 0.016 IN. THK, . . . . . SST (373-8010-00)	4			
	2104-4	. TERMINAL, Lug, PH Fed Mfr Code 78189 . . . . . (304-6910-00)	3			
	MS35214-12	. SCREW, Machine, cross recessed pan HD, 4-40 X . . . . . 1/4 IN. LG, BRS, NI PL (343-0285-00)	4			
		-----*-----				
-6	541-6550-003	. SHIELD, Electron tube, 7 pin miniature, BRS . . . . .	1			
-7	5726	. ELECTRON TUBE, Twin diode rectifier Fed Mfr Code . . . . . 95445 (253-0003-00)	1			
-7.1	541-6533-003	. INSERT, Electron tube socket, COP . . . . .	1			
-8	TS102P01	. SOCKET, Tube, 7 CONT miniature (220-1111-00) . . . . . (ATTACHING PARTS)	1			
	AN340B4	. NUT, HEX, 4-40, BRS, NI PL (313-0051-00) . . . . .	2			
	AN936B4	. WASHER, Lock, 0.123 ID, 0.255 OD, 0.016 IN. THK, . . . . . SST (373-8010-00)	2			
	2104-4	. TERMINAL, Lug, PH BRZ Fed Mfr Code 78189 . . . . . (304-6910-00)	1			
	MS35214-12	. SCREW, Machine, cross recessed pan HD, 4-40 X 1/4 . . . . . IN. LG, BRS, NI PL (343-0285-00)	2			
		-----*-----				
-9	506-6679-004	. BOARD, Terminal, modulator . . . . . (ATTACHING PARTS)	1			
	MS35214-12	. SCREW, Machine, cross recessed pan HD, 4-40 X . . . . . 1/4 IN. LG, BRS, NI PL (343-0285-00)	4			
		-----*-----				
-10	RC20GF820K	. . RESISTOR, Fixed, COMP, 82 ohms ±10%, 1/2 W . . . . . (745-1307-00)	1			
-11	29F444	. . CAPACITOR, Fixed, electrolytic, 50 UF +70-15%, 50 V . . . . . Fed Mfr Code 24446 (184-7010-00) (ATTACHING PARTS)	1			
	AN340B4	. . NUT, HEX, 4-40, BRS, NI PL (313-0051-00) . . . . .	1			
	506-6668-002	. . CLAMP, Capacitor . . . . .	1			
	MS35214-13	. . SCREW, Machine, cross recessed pan HD, 4-40 X . . . . . 5/16 IN. LG, BRS, NI PL (343-0286-00)	1			
		-----*-----				
-12	96P22401S2	. . CAPACITOR, Fixed, paper dielectric, 220,000 UUF . . . . . ±20%, 100 V Fed Mfr Code 56289 (931-0406-00) (Used effective Modulator No MOD)	1			
-12	96P15401S2	. . CAPACITOR, Fixed, paper dielectric, 0.15 UF . . . . . ±20%, 100 V Fed Mfr Code 56289 (931-0405-00) (Used effective Modulator MOD-1 thru MOD-6)	1			
-13	913-2750-00	. . CAPACITOR, Fixed, ceramic dielectric, 3300 UUF . . . . . ±20%, 500 V	1			
-14	RC42GF333K	. . RESISTOR, Fixed, COMP, 33,000 ohms ±10%, 2 W . . . . . (745-5715-00)	1			
-15	RC20GF274K	. . RESISTOR, Fixed, COMP, 0.27 MEG ±10%, 1/2 W . . . . . (745-1454-00)	2			
-16	RC20BF274K	. . RESISTOR, Fixed, COMP, 270,000 ohms ±10%, 1/2 W . . . . . (745-1188-00) (Used effective Modulator No MOD)	1			

Section II  
Group Assembly Parts List

T.O. 12R2-4-6-4

FIG. & INDEX NO.	PART NO.	DESCRIPTION							UNITS PER ASSY.	USABLE ON CODE
		1	2	3	4	5	6	7		
19-16	RC20BF394K	.	.	RESISTOR, Fixed, COMP, 390,000 ohms ±10%, . . . . .					1	
				1/2 W (745-1195-00) (Used effective Modulator MOD-1)						
-16	RC20GF394K	.	.	RESISTOR, Fixed, COMP, 390,000 ohms ±10%, . . . . .					1	
				1/2 W (745-1461-00) (Used effective Modulator MOD-2)						
-17	96P47303S4	.	.	CAPACITOR, Fixed, paper dielectric, 47,000 UUF . . .					2	
				±20%, 300 V Fed Mfr Code 56289 (931-2560-00)						
-18	RC20GF393K	.	.	RESISTOR, Fixed, COMP, 39,000 ohms ±10%, 1/2 W . .					4	
				(745-1419-00)						
-19	96P10403S4	.	.	CAPACITOR, Fixed, paper dielectric, 100,000 UUF . .					3	
				±20%, 300 V Fed Mfr Code 56289 (931-2516-00)						
-20	RC20BF331K	.	.	RESISTOR, Fixed, COMP, 330 ohms ±10%, 1/2 W . . .					1	
				(745-1065-00) (Used effective Modulator No MOD, MOD-1, MOD-2, MOD-3)						
-20	RC32GF331K	.	.	RESISTOR, Fixed, COMP, 330 ohms ±10%, 1 W . . . . .					1	
				(745-3331-00) (Used effective Modulator MOD-4 thru MOD-6)						
-21	506-6670-003	.	.	BOARD, Terminal, general purpose . . . . .					1	
20-	NO NUMBER	MODULATOR, Side view less board (See figure 3-6 . . . . .							REF	
		for next higher ASSY) (Effective Modulator No MOD, MOD-1 thru MOD-6)								
-1	RC20GF333K	.	.	RESISTOR, Fixed, COMP, 33,000 ohms ±10%, 1/2 W . . .					1	
				(745-1415-00)						
-2	RC20GF102K	.	.	RESISTOR, Fixed, COMP, 1000 ohms ±10%, 1/2 W . . . .					2	
				(745-1352-00)						
-3	RC42GF120K	.	.	RESISTOR, Fixed, COMP, 12 ohms ±10%, 2 W . . . . .					1	
				(745-5572-00)						
-4	86P10403S15	.	.	CAPACITOR, Fixed, paper dielectric, 100,000 UUF . . .					1	
				±20%, 300 V Fed Mfr Code 56289 (931-0626-00)						
	COML	.	.	NUT, HEX, 5/16-24, BRS, NI PL Fed Mfr Code 77250 . .					1	
				(334-0254-00)						
	AN936A516	.	.	WASHER, Lock, 0.322 ID, 0.435 OD, 0.022 IN. THK, . . .					1	
				STL, CAD PL (373-0080-00)						
		-----*-----								
-5	380-5259-00	.	.	RESISTOR, Variable, COMP, 10,000 ohms ±20%, 1 W . .					1	
				(ATTACHING PARTS)						
	COML	.	.	NUT, HEX, 3/8-32, BRS, NI PL Fed Mfr Code 77250 . .					1	
				(334-0444-00)						
	COML	.	.	NUT, HEX, 3/8-32, STL, CAD PL Fed Mfr Code 77250 . .					1	
				(334-4062-00)						
	AN936A616	.	.	WASHER, Lock, 0.391 ID, 0.507 OD, 0.022 IN. THK, . . .					1	
				STL, CAD PL (373-0081-00)						
		-----*-----								
-6	380-5266-00	.	.	RESISTOR, Variable, COMP, 100,000 ohms ±20%, 1 W . .					1	
				(ATTACHING PARTS)						
	COML	.	.	NUT, HEX, 3/8-32, BRS, NI PL Fed Mfr Code 77250 . .					1	
				(334-0444-00)						
	COML	.	.	NUT, HEX, 3/8-32, STL, CAD PL Fed Mfr Code 77250 . .					1	
				(334-4062-00)						
	AN936A616	.	.	WASHER, Lock, 0.391 ID, 0.507 OD, 0.022 IN. THK . . .					1	
				STL, CAD PL						
		-----*-----								

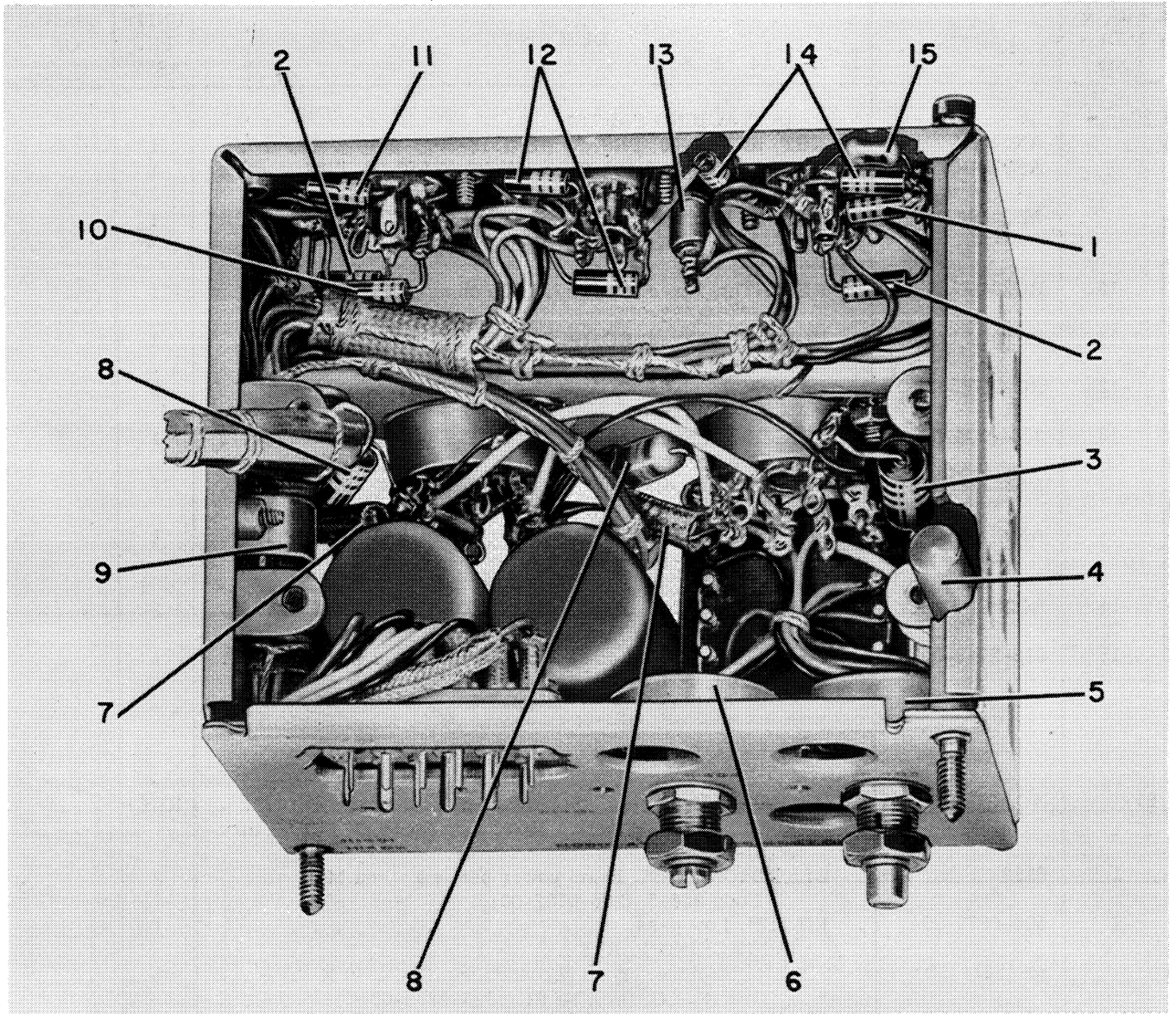


Figure 20. Modulator, Side View (No Mod, Mod-1 thru Mod-6)

FIG. & INDEX NO.	PART NO.	DESCRIPTION	UNITS PER ASSY.							USABLE ON CODE	
			1	2	3	4	5	6	7		
20-7	913-0146-00	. CAPACITOR, Fixed, ceramic dielectric, 1,000 UUF GMV, 500 V (Used effective Modulator No MOD, MOD-1)								2	
-7	CK61Y102Z	. CAPACITOR, Fixed, ceramic dielectric, 1000 UUF +100%-20%, 500 V (913-1186-00) (Used effective Modulator MOD-2, MOD-3, MOD-4)								2	
-7	913-2749-00	. CAPACITOR, Fixed, ceramic dielectric, 470 UUF ±20%, 500 V (Used effective Modulator MOD-5 and MOD-6)								2	
-8	96P10302S4	. CAPACITOR, Fixed, paper dielectric, 10,000 UUF ±20%, 200 V Fed Mfr Code 56289 (931-2537-00)								2	
-9	500-4328-001	. CLAMP, Cable								1	

FIG. & INDEX NO.	PART NO.	DESCRIPTION							UNITS PER ASSY.	USABLE ON CODE
		1	2	3	4	5	6	7		
20-		(ATTACHING PARTS)								
	AN340B4	.	NUT, HEX, 4-40, BRS, NI PL (313-0051-00)	.	.	.	.	1		
	AN936B4	.	WASHER, Lock, 0.123 ID, 0.255 OD, 0.016 IN. THK, SST (373-8010-00)	.	.	.	.	1		
	MS35198-13	.	SCREW, Machine, cross recessed FH, 4-40 X 5/16 IN. LG, BRS, NI PL (342-0153-00)	.	.	.	.	1		
			-----*-----							
-10	RC20GF823K	.	RESISTOR, Fixed, COMP, 82,000 ohms $\pm 10\%$ , 1/2 W (745-1433-00)	.	.	.	.	1		
-11	RC20GF151K	.	RESISTOR, Fixed, COMP, 150 ohms $\pm 10\%$ , 1/2 W (745-1317-00)	.	.	.	.	1		
-12	RC20GF563K	.	RESISTOR, Fixed, COMP, 56,000 ohms $\pm 10\%$ , 1/2 W (745-1426-00)	.	.	.	.	2		
-13	306-0234-00	.	TERMINAL, Stud	.	.	.	.	1		
		(ATTACHING PARTS)								
	MS35214-11	.	SCREW, Machine, cross recessed pan HD, 4-40 X 3/16 IN. LG, BRS, NI PL (343-0284-00)	.	.	.	.	1		
	AN936B4	.	WASHER, Lock, 0.123 ID, 0.255 OD, 0.016 IN. THK, SST (373-8010-00)	.	.	.	.	1		
			-----*-----							
-14	RC20GF224K	.	RESISTOR, Fixed, COMP, 0.22 MEG $\pm 10\%$ , 1/2 W (745-1450-00)	.	.	.	.	2		
-15	913-2749-00	.	CAPACITOR, Fixed, ceramic dielectric, 470 UUF $\pm 20\%$ , 500 V	.	.	.	.	1		
21-	NO NUMBER	.	MODULATOR, Rear view (See figure 3-6 for next higher ASSY) (Effective Modulator No MOD, MOD-1 thru MOD-6)	.	.	.	.	REF		
-1	6159	.	ELECTRON TUBE, Beam power pentode Fed Mfr Code 95445 (256-0102-00)	.	.	.	.	2		
-2	506-6677-004	.	FILTER, Low pass	.	.	.	.	1		
		(ATTACHING PARTS)								
	MS35214-12	.	SCREW, Machine, cross recessed pan HD, 4-40 X 1/4 IN. LG, BRS, NI PL (343-0285-00)	.	.	.	.	4		
	AN936B4	.	WASHER, Lock, 0.123 ID, 0.255 OD, 0.016 IN. THK, SST (373-8010-00)	.	.	.	.	4		
			-----*-----							
-3	15260	.	REACTOR, AF, 3.75 HY Fed Mfr Code 12080 (678-0536-00)	.	.	.	.	2		
		(ATTACHING PARTS)								
	AN340B4	.	NUT, HEX, 4-40, BRS, NI PL (313-0051-00)	.	.	.	.	4		
	AN936B4	.	WASHER, Lock, 0.123 ID, 0.255 OD, 0.016 IN. THK, SST (373-8010-00)	.	.	.	.	4		
	MS35214-12	.	SCREW, Machine, cross recessed pan HD, 4-40 X 1/4 IN. LG, BRS, NI PL (343-0285-00)	.	.	.	.	4		
			-----*-----							
-4	VCM15E101G	.	CAPACITOR, Fixed, mica dielectric, 100 UUF $\pm 2\%$ , 500 V Fed Mfr Code 72136 (912-0493-00)	.	.	.	.	1		
-5	506-6673-003	.	BOARD, Filter	.	.	.	.	1		
		(ATTACHING PARTS)								
	AN340B4	.	NUT, HEX, 4-40, BRS, NI PL (313-0051-00)	.	.	.	.	4		
	MS35214-12	.	SCREW, Machine, cross recessed pan HD, 4-40 X 1/4 IN. LG, BRS, NI PL (343-0285-00)	.	.	.	.	4		
			-----*-----							



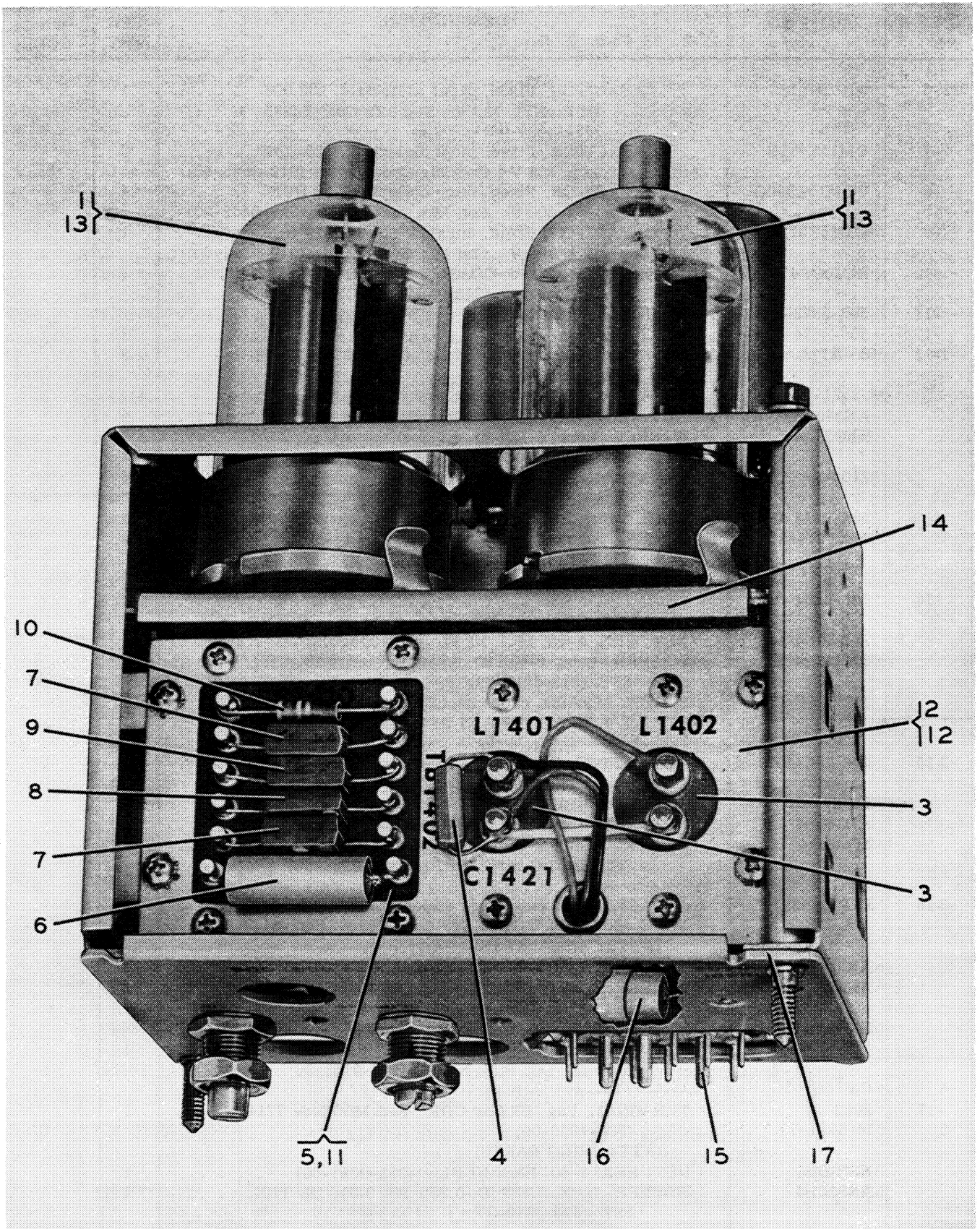


Figure 21. Modulator, Rear View (No Mod, Mod-1 thru Mod-6)

Section II  
Group Assembly Parts List

T.O. 12R2-4-6-4

FIG. & INDEX NO.	PART NO.	DESCRIPTION							UNITS PER ASSY.	USABLE ON CODE
		1	2	3	4	5	6	7		
21-6	96P10401S2	.	.	CAPACITOR, Fixed, paper dielectric, 100,000 UUF ±20%, 100 V Fed Mfr Code 56289 (931-0404-00)	.	.	.	.	1	
-7	CM15E431G	.	.	CAPACITOR, Fixed, mica dielectric, 430 UUF ±2%, 300 V Fed Mfr Code 72136 (912-0538-00)	.	.	.	.	2	
-8	VCM15E390G	.	.	CAPACITOR, Fixed, mica dielectric, 39 UUF ±2%, 500 V Fed Mfr Code 72136 (912-0463-00)	.	.	.	.	1	
-9	CM15E511G	.	.	CAPACITOR, Fixed, mica dielectric, 510 UUF ±2%, 300 V Fed Mfr Code 72136 (912-0544-00)	.	.	.	.	1	
-10	RC20GF474K	.	.	RESISTOR, Fixed, COMP, 0.47 MEG ±10%, 1/2 W (MIL-R-11) (745-1464-00)	.	.	.	.	1	
-11	506-6672-003	.	.	BOARD, Terminal	.	.	.	.	1	
-12	506-6674-003	.	.	PLATE, Filter	.	.	.	.	1	
-13	88-8TM	.	.	SOCKET, Tube, octal Fed Mfr Code 89709 (220-1005-00)	.	.	.	.	2	
				(ATTACHING PARTS)						
	AN340B4	.	.	NUT, HEX, 4-40, BRS, NI PL (313-0051-00)	.	.	.	.	4	
	AN936B4	.	.	WASHER, Lock, 0.123 ID, 0.255 OD, 0.016 IN. THK, SST (373-8010-00)	.	.	.	.	8	
	2104-4	.	.	TERMINAL, Lug, PH BRZ Fed Mfr Code 78189 (304-6910-00)	.	.	.	.	4	
	506-9444-002	.	.	CLIP, Tube	.	.	.	.	4	
	MS35214-13	.	.	SCREW, Machine, cross recessed HD, 4-40 X 5/16 IN. LG, BRS, NI PL (343-0286-00)	.	.	.	.	4	
				-----*						
-14	506-6681-004	.	.	MOUNTING, Tube (ATTACHING PARTS)	.	.	.	.	1	
	AN340B4	.	.	NUT, HEX, 4-40, BRS, NI PL (313-0051-00)	.	.	.	.	4	
	AN936B4	.	.	WASHER, Lock, 0.123 ID, 0.255 OD, 0.016 IN. THK, SST (373-8010-00)	.	.	.	.	7	
	MS35214-12	.	.	SCREW, Machine, cross recessed pan HD, 4-40 X 1/4 IN. LG, BRS, NI PL (343-0285-00)	.	.	.	.	7	
				-----*						
-15	126-151-1001	.	.	CONNECTOR, Receptacle, 15 RD male CONT Fed Mfr Code 89709 (372-1079-00)	.	.	.	.	1	
				(ATTACHING PARTS)						
	AN340B4	.	.	NUT, HEX, 4-40, BRS, NI PL (313-0051-00)	.	.	.	.	2	
	MS35214-15	.	.	SCREW, Machine, cross recessed pan HD, 4-40 X 7/16 IN. LG, BRS, NI PL (343-0288-00)	.	.	.	.	2	
				-----*						
-16	96P10403S2	.	.	CAPACITOR, Fixed, paper dielectric, 100,000 UUF ±20%, 300 V Fed Mfr Code 56289 (931-0442-00)	.	.	.	.	1	
				(ATTACHING PARTS)						
	AN340B4	.	.	NUT, HEX, 4-40, BRS, NI PL (313-0051-00)	.	.	.	.	1	
	AN936B4	.	.	WASHER, Lock, 0.123 ID, 0.255 OD, 0.016 IN. THK, SST (373-8010-00)	.	.	.	.	1	
	500-4328-001	.	.	CLAMP, Cable	.	.	.	.	1	
	MS35198-13	.	.	SCREW, Machine, cross recessed FH, 4-40 X 5/16 IN. LG, BRS, NI PL (342-0153-00)	.	.	.	.	1	
				-----*						
-17	2052	.	.	TERMINAL, Lug, BRS or COP Fed Mfr Code 77147 (304-1900-00)	.	.	.	.	1	
				(ATTACHING PARTS)						
	AN340B4	.	.	NUT, HEX, 4-40, BRS, NI PL (313-0051-00)	.	.	.	.	1	
	AN936B4	.	.	WASHER, Lock, 0.123 ID, 0.255 OD, 0.016 IN. THK, SST (373-8010-00)	.	.	.	.	1	

FIG. & INDEX NO.	PART NO.	DESCRIPTION	UNITS PER ASSY.	USABLE ON CODE		
					1	2
21-	MS35198-13	. SCREW, Machine, cross recessed FH, 4-40 X 5/16 . . . . . IN. LG, BRS, NI PL (342-0153-00) -----*-----	1			
-18	2104-4	. TERMINAL, Lug, PH BRZ Fed Mfr Code 78189 . . . . . (304-6910-00)	1			
-19	506-6676-004	. FRAME, Modulator . . . . .	1			
22-	506-6106-005	AMPLIFIER, AF, 0.5 W power output, 1.5 DB gain . . . . . (See figure 3-7 for next higher ASSY) (Effective AF Amplifier No MOD, MOD-1)	REF			
-1	541-6554-003	. SHIELD, Electron tube, BRS . . . . .	2			
-2	5814A	. ELECTRON TUBE, Double triode . . . . . Fed Mfr Code 95445 (253-0013-00)	1			
-3	5686	. ELECTRON TUBE, Pentode Fed Mfr Code 95445 . . . . . (253-0009-00)	1			
-3.1	541-6533-003	. INSERT, Electron tube socket, COP . . . . .	2			
-4	540-6973-005	. AMPLIFIER, AF, 500 MW output ±2 DB, 300-3500 CPS . .	1			
-5	506-6093-034	. . COVER, Single module . . . . . (ATTACHING PARTS)	1			
	506-6072-002	. . SCREW, Captive, cross recessed pan HD, 4-40 X . . . . 5/32 IN. LG, SST	2			
	AN936B4	. . WASHER, Lock, SST, 0.123 ID, 0.255 OD, 0.016 IN. . . THK (373-8010-00) -----*-----	2			
-6	15849A	. . TRANSFORMER, AF, plate coupling type, PRI . . . . . 14,500 ohm impedance Fed Mfr Code 12080 (677-0527-00) (ATTACHING PARTS)	1			
	AN340B6	. . NUT, HEX, BRS, 6-32, 0.114 IN. THK, 5/16 IN. W . . . . across flats (313-0053-00)	2			
	AN936B6	. . WASHER, Lock, SST, 0.150 ID, 0.317 OD, 0.020 IN. . . THK (373-8020-00) -----*-----	2			
-7	RC20GF474K	. . RESISTOR, Fixed, COMP, 470,000 ohm ±10%, . . . . . 1/2 W (MIL-R-11) (745-1464-00)	1			
-8	CM20C511J	. . CAPACITOR, Fixed, mica dielectric, 510 UUF . . . . . ±5%, 500 V (JAN-C-5) (935-0222-00)	1			
-9	TS103P01	. . SOCKET, Tube, 9 CONT miniature (JAN-S-28) . . . . . (220-1103-00) (ATTACHING PARTS)	2			
	AN340B4	. . NUT, HEX, BRS, 4-40, 3/32 IN. THK, 1/4 IN. W . . . . across flats (313-0051-00)	4			
	AN936B4	. . WASHER, Lock, SST, 0.123 ID, 0.255 OD, 0.016 IN. . . THK (373-8010-00)	4			
	MS35214-12	. . SCREW, Machine, cross recessed pan HD, BRS, 4-40 X 1/4 IN. LG (343-0285-00) -----*-----	4			
-10	506-6115-004	. . AMPLIFIER SUBASSEMBLY, INCL 5 capacitors, 10 . . . resistors, 1 terminal board, wire and mtg HDW (ATTACHING PARTS)	1			
	MS35214-12	. . SCREW, Machine, cross recessed pan HD, BRS, 4-40 . X 1/4 IN. LG (343-0285-00) -----*-----	4			

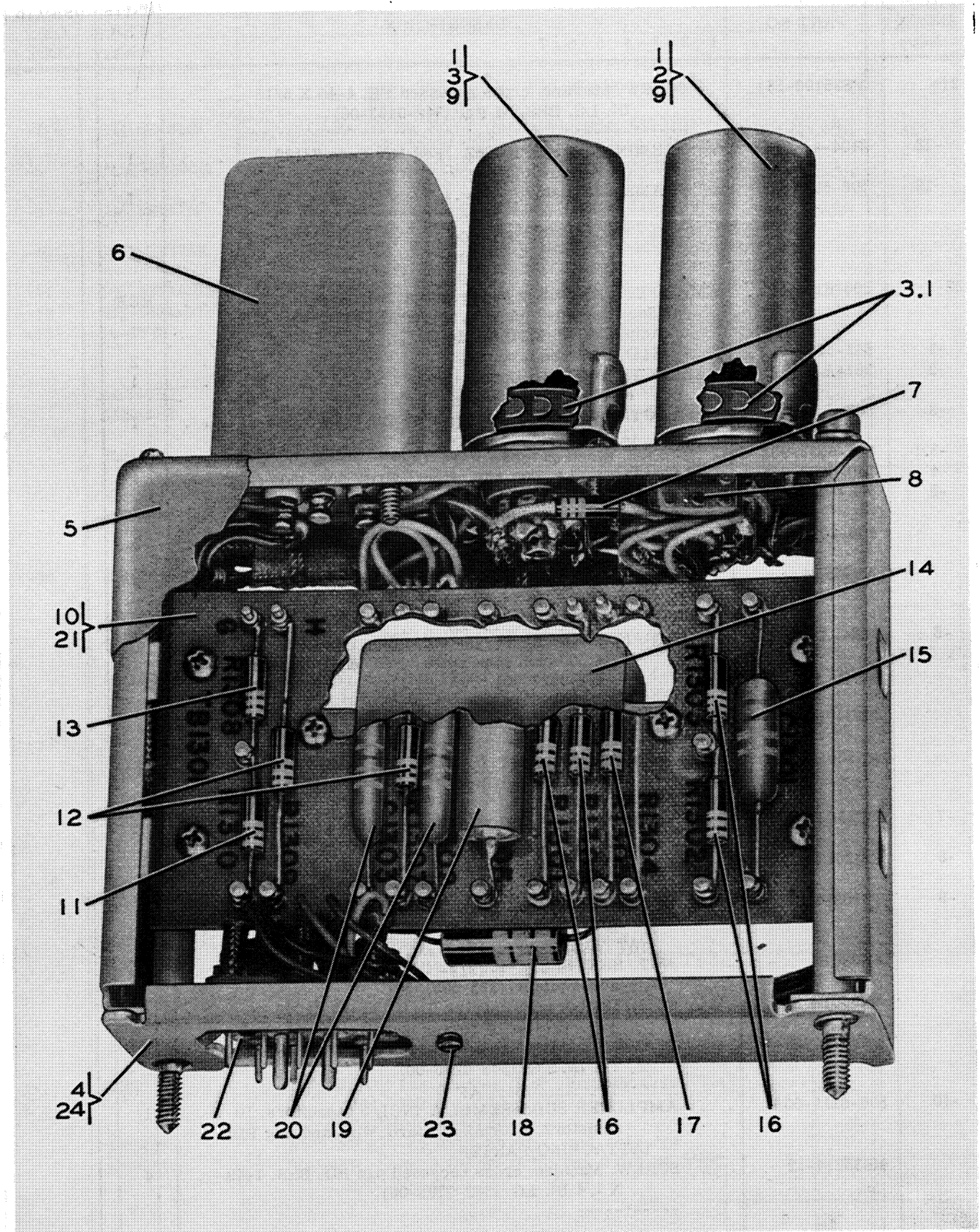


Figure 22. AF Amplifier (No Mod, Mod-1)

FIG. & INDEX NO.	PART NO.	DESCRIPTION							UNITS PER ASSY.	USABLE ON CODE
		1	2	3	4	5	6	7		
22-11	RC20GF224K	.	.	.	RESISTOR, Fixed, COMP, 220,000 ohm . . . . .				1	
					±10%, 1/2 W (MIL-R-11) (745-1450-00)					
-12	RC20GF104K	.	.	.	RESISTOR, Fixed, COMP, 100,000 ohm ±10%, . . . .				2	
					1/2 W (MIL-R-11) (745-1436-00)					
-13	RC20GF332K	.	.	.	RESISTOR, Fixed, COMP, 3300 ohm ±10%, . . . . .				1	
					1/2 W (MIL-R-11) (745-1373-00)					
-14	130K	.	.	.	CAPACITOR, Fixed, paper dielectric, 2 UF . . . . .				1	
					-20+30%, 100 V Fed Mfr Code 00656 (931-0034-00)					
					(ATTACHING PARTS)					
	AN340B4	.	.	.	NUT, HEX, BRS, 4-40, 3/32 IN. THK, 1/4 IN. W . . .				2	
					across flats (313-0051-00)					
	MS35214-13	.	.	.	SCREW, Machine, cross recessed pan HD, BRS, . . .				2	
					4-40 X 5/16 IN. LG (343-0286-00)					
					-----*-----					
-15	96P33301S2	.	.	.	CAPACITOR, Fixed, paper dielectric, 33,000 . . . .				1	
					UF ±20%, 100 V Fed Mfr Code 56289 (931-0401-00)					
-16	RC20GF473K	.	.	.	RESISTOR, Fixed, COMP, 47,000 ohm ±10%, . . . .				4	
					1/2 W (MIL-R-11) (745-1422-00)					
-17	RC20GF152K	.	.	.	RESISTOR, Fixed, COMP, 1500 ohm ±10%, 1/2 W . . .				1	
					(MIL-R-11) (745-1359-00)					
-18	RC42GF821K	.	.	.	RESISTOR, Fixed, COMP, 820 ohm ±10%, 2 W . . . .				1	
					(MIL-R-11) (745-5649-00)					
-19	96P10403S2	.	.	.	CAPACITOR, Fixed, paper dielectric, 100,000 . . . .				1	
					UF ±20%, 300 V Fed Mfr Code 56289 (931-0442-00)					
-20	96P10303S2	.	.	.	CAPACITOR, Fixed, paper dielectric, 10,000 . . . .				2	
					UF ±20%, 300 V Fed Mfr Code 56289 (931-0436-00)					
-21	506-6107-003	.	.	.	BOARD, Terminal, general purpose . . . . .				1	
-22	126-804-1000	.	.	.	CONNECTOR, Plug, 11 RD male CONT Fed . . . . .				1	
					Mfr Code 89709 (372-1074-00)					
					(ATTACHING PARTS)					
	AN340B4	.	.	.	NUT, HEX, BRS, 4-40, 3/32 IN. THK, 1/4 IN. W . . . .				2	
					across flats (313-0051-00)					
	MS35214-16	.	.	.	SCREW, Machine, cross recessed pan HD, 4-40 X . . .				2	
					1/2 IN. LG, BRS, NI PL (343-0289-00)					
					-----*-----					
-23	2052	.	.	.	TERMINAL, Lug, BRS or COP Fed Mfr Code . . . . .				1	
					77147 (304-1900-00)					
					(ATTACHING PARTS)					
	AN340B4	.	.	.	NUT, HEX, BRS, 4-40, 3/32 IN. THK, 1/4 IN. W . . . .				1	
					across flats (313-0051-00)					
	AN936B4	.	.	.	WASHER, Lock, 0.123 ID, 0.255 OD, 0.016 IN. THK, . . .				1	
					SST (373-8010-00)					
	MS35198-12	.	.	.	SCREW, Machine, 4-40 X 1/4 IN. LG, cross recessed .				1	
					FH, BRS, NI PL (342-0152-00)					
					-----*-----					
-24	506-6113-004	.	.	.	FRAME, Amplifier, AF . . . . .				1	

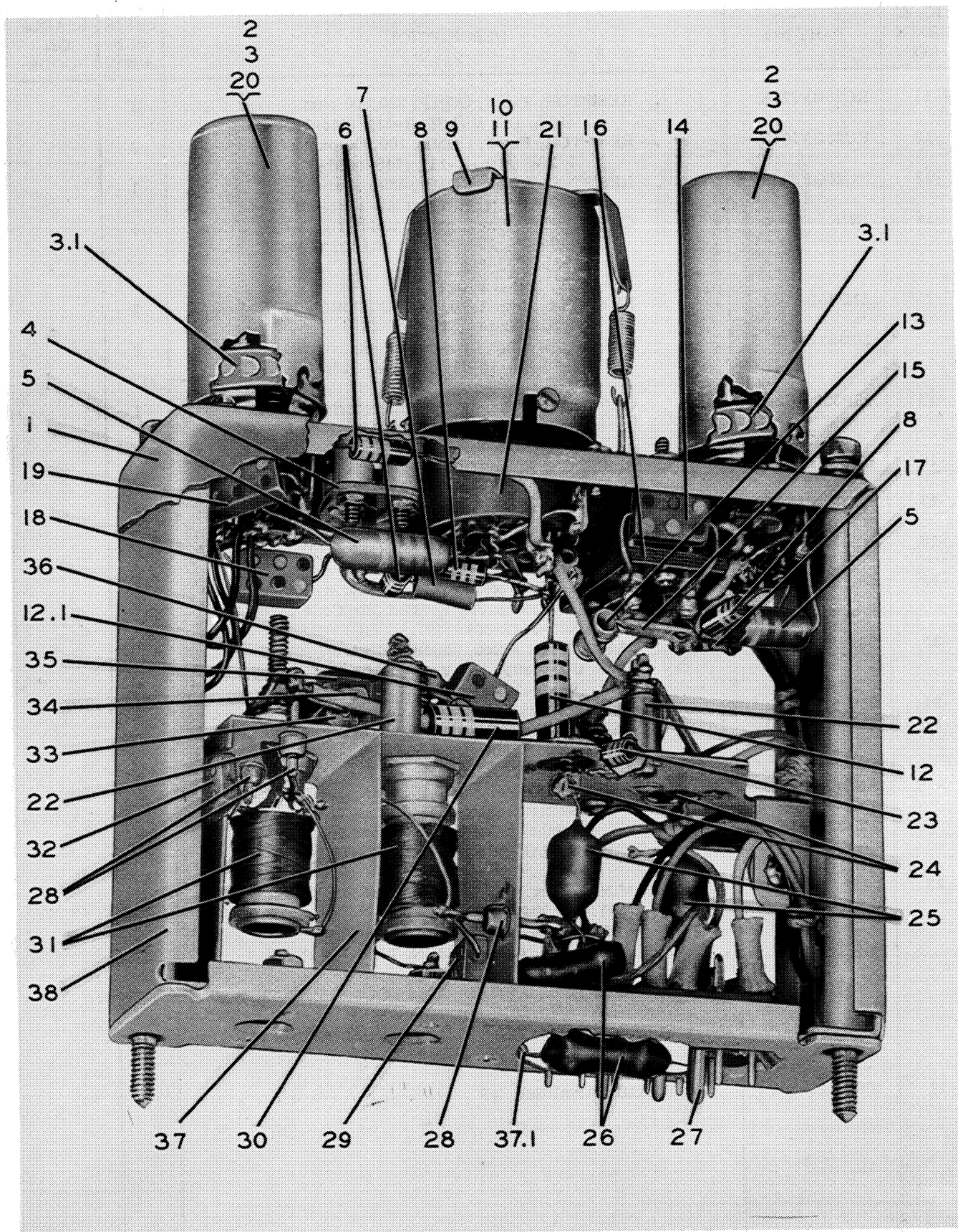


Figure 23. RF Oscillator (No Mod, Mod-1 thru Mod-3)

FIG. & INDEX NO.	PART NO.	DESCRIPTION	UNITS PER ASSY.	USABLE ON CODE		
					1	2
23-	506-6215-004	OSCILLATOR, RF, 250 KC (See figure 3-8 for next . . . . . higher ASSY) (Effective RF Oscillator No MOD, MOD-1 thru MOD-3)	REF			
-1	506-6093-004	. COVER, Single module . . . . . (ATTACHING PARTS)	1			
	506-6072-002	. SCREW, Captive, cross recessed FIL H, 4-40 X 3/8 IN. . . LG, SST	2			
	AN936B4	. WASHER, Lock, 0.123 ID, 0.255 OD, 0.016 IN. THK. . . . SST (373-8010-00)	2			
		-----*				
-2	541-6551-003	. SHIELD, Electron tube, BRS . . . . .	2			
-3	5749	. ELECTRON TUBE, Pentode Fed Mfr Code 95445 . . . . . (253-0005-00)	2			
-3.1	541-6532-003	. INSERT, Electron tube socket, COP . . . . .	2			
-4	917-1073-00	. CAPACITOR, Variable, ceramic dielectric, 5.0 to 37.5 . . UUF, 30 V (ATTACHING PARTS)	1			
	COML	. NUT, HEX, 4-40, BRS, NI PL Fed Mfr Code 77250 . . . (313-0156-00)	2			
	502-1668-001	. POST, Spacing . . . . .	2			
	MS35214-16	. SCREW, Machine, cross recessed pan HD, 4-40 X . . . . 1/2 IN. LG, BRS NI PL (343-0289-00)	2			
		-----*				
-5	96P10302S2	. CAPACITOR, Fixed, paper dielectric, 10,000 UUF . . . . ±20%, 200 V Fed Mfr Code 56289 (931-0417-00) (Used effective RF Oscillator No MOD, MOD-1 and MOD-2)	2			
-5	96P10302S4	. CAPACITOR, Fixed, paper dielectric, 10,000 UUF . . . . ±20%, 200 V Fed Mfr Code 56289 (931-2537-00) (Used effective RF Oscillator MOD-3)	2			
-6	RC20GF474K	. RESISTOR, Fixed, COMP, 0.47 MEG ±10%, 1/2 W . . . . (MIL-R-11) (745-1464-00)	2			
-7	1N67A	. SEMICONDUCTOR DEVICE, Diode, germanium . . . . . Fed Mfr Code 82577 (353-0147-00) (Used effective RF Oscillator No MOD, MOD-1)	1			
-7	1N137A	. SEMICONDUCTOR DEVICE, Diode, silicon Fed . . . . Mfr Code 99942 (353-0152-00) (Used effective RF Oscillator MOD-2 and MOD-3)	1			
-8	RC20GF104K	. RESISTOR, Fixed, COMP, 0.10 MEG ±10%, 1/2 W . . . . (MIL-R-11) (745-1436-00)	2			
-9	505-8432-003	. BRACKET, Crystal oven . . . . . (ATTACHING PARTS)	1			
	340-2090-00	. SPRING, Helical, extension, STL . . . . .	2			
		-----*				
-10	292-0102-00	. OVEN, Dummy, crystal . . . . .	1			
-11	290-1599-00	. CRYSTAL UNIT, Quartz, 250.000 KC . . . . .	1			
-12	RC32GF104K	. RESISTOR, Fixed, COMP, 0.10 MEG ±10%, 1 W . . . . (MIL-R-11) (745-3436-00)	1			
-12.1	VCM15E560J	. CAPACITOR, Fixed, mica dielectric, 56 UUF ±5%, . . . . 500 V Fed Mfr Code 72136 (912-0476-00) (Used effective RF Oscillator MOD-1 thru MOD-3)	1			
-13	CC30CH360J	. CAPACITOR, Fixed, ceramic dielectric, 36 UUF ±5%, . . 500 V (JAN-C-20A) (916-4347-00) (Used effective RF Oscillator No MOD, MOD-1, MOD-2)	1			
-13	CC30CH430F	. CAPACITOR, Fixed, ceramic dielectric, 43 UUF ±1%, . . 500 V (JAN-C-20A) (916-4355-00) (Used effective RF Oscillator MOD-3)	1			

Section II  
Group Assembly Parts List

T.O. 12R2-4-6-4

FIG. & INDEX NO.	PART NO.	DESCRIPTION	UNITS PER ASSY.	USABLE ON CODE		
					1	2
23-14	CM15E431G	. CAPACITOR, Fixed, mica dielectric, 430 UUF $\pm 2\%$ , . . . . 300 V Fed Mfr Code 72136 (912-0538-00) (Used effective RF Oscillator No MOD, MOD-1, MOD-2)	1			
-14	VCM15E361G	. CAPACITOR, Fixed, ceramic dielectric, 360 UUF $\pm 2\%$ , . . 500 V Fed Mfr Code 72136 (912-0532-00) (Used effective RF Oscillator MOD-3)	1			
-15	DA934-017(X)	. CAPACITOR, Fixed, ceramic dielectric, 20 UUF . . . . $\pm 5\%$ , 500 V Fed Mfr Code 71590 (913-0057-00) (Used effective RF Oscillator No MOD, MOD-1, MOD-2)	1			
-15	CC30TH910G	. CAPACITOR, Fixed, ceramic dielectric, 91 UUF $\pm 2\%$ , . . 500 V (JAN-C-20A) (916-4918-00) (Used effective RF Oscillator MOD-3)	1			
-16	506-6211-003	. TRANSFORMER, RF, 250 KC frequency . . . . . (ATTACHING PARTS)	1			
	AN340B2	. NUT, HEX, 2-56, BRS, NI PL (313-0050-00) . . . . .	2			
	AN936A2B	. WASHER, Lock, 0.095 ID, 0.185 OD, 0.012 IN. THK, . . . . PH BRZ, CAD PL (373-3120-00) -----*	2			
-17	CC30CH470K	. CAPACITOR, Fixed, ceramic dielectric, 47 UUF $\pm 10\%$ , . . 500 V (JAN-C-20A) (916-4363-00)	1			
-18	CM15E471K	. CAPACITOR, Fixed, mica dielectric, 470 UUF $\pm 10\%$ , . . . . 300 V Fed Mfr Code 72136 (912-0543-00)	1			
-19	VCM15E101K	. CAPACITOR, Fixed, mica dielectric, 100 UUF $\pm 10\%$ , . . . . 500 V Fed Mfr Code 72136 (912-0495-00)	1			
-20	TS102P01	. SOCKET, Tube, 7 CONT miniature (JAN-S-28) (220-1111-00) (ATTACHING PARTS)	2			
	AN340B4	. NUT, HEX, 4-40, BRS, NI PL (313-0051-00) . . . . .	4			
	AN936B4B	. WASHER, Lock, 0.123 ID, 0.255 OD, 0.016 IN. THK . . . . . PH BRZ, CAD PL (373-7010-00)	4			
	2102-04-00	. TERMINAL, Lug, PH BRZ Fed Mfr Code 78189 . . . . . (304-3110-00)	6			
	MS35214-12	. SCREW, Machine, cross recessed pan HD, 4-40 X . . . . . 1/4 IN. LG, BRS, NI PL (343-0285-00) -----*	4			
-21	88-8TM	. SOCKET, Tube, octal Fed Mfr Code 89709 (220-1005-00). (ATTACHING PARTS)	1			
	COML	. NUT, HEX, 4-40, BRS, NI PL Fed Mfr Code 77250 . . . . . (313-0156-00)	2			
	AN936B4B	. WASHER, Lock, 0.123 ID, 0.255 OD, 0.016 IN. THK . . . . . PH BRZ, CAD PL (373-7010-00)	2			
	2522-06-00	. TERMINAL, Lug, BRS Fed Mfr Code 78189 (304-4200-00)	3			
	MS35214-12	. SCREW, Machine, cross recessed pan HD, 4-40 X 1/4 IN. . LG, BRS, NI PL (343-0285-00) -----*	2			
-22	306-0234-00	. TERMINAL, Stud, BRS . . . . . (ATTACHING PARTS)	4			
	MS35214-10	. SCREW, Machine, cross recessed pan HD, 4-40 X . . . . . 1/8 IN. LG, BRS, NI PL (343-0283-00)	4			
	AN936B4B	. WASHER, Lock, 0.123 ID, 0.255 OD, 0.016 IN. THK, . . . . PH BRZ, CAD PL (373-7010-00) -----*	4			
-23	RC32GF473K	. RESISTOR, Fixed, COMP, 47,000 ohm $\pm 10\%$ , 1 W . . . . . (MIL-R-11) (745-3422-00)	1			
-24	913-1476-00	. CAPACITOR, Fixed, ceramic dielectric, 1000 UUF . . . . . 500 V	2			



FIG. & INDEX NO.	PART NO.	DESCRIPTION	UNITS PER ASSY.	USABLE ON CODE		
					1	2
23-25	C-0047109	. COIL, RF, 500 UH Fed Mfr Code 95265 (240-0073-00) . .	2			
-26	913-2750-00	. CAPACITOR, Fixed, ceramic dielectric, 3300 UUF ±20%, 500 V	2			
-27	126-151-1001	. CONNECTOR, Receptacle, 15 male CONT Fed Mfr . . . .	1			
		Code 89709 (372-1079-00) (ATTACHING PARTS)				
	AN340B4	. NUT, HEX, 4-40, BRS, NI PL (313-0051-00) . . . . .	2			
	MS35214-15	. SCREW, Machine, cross recessed pan HD, 4-40 . . . . .	2			
		X 7/16 IN. LG, BRS, NI PL (343-0288-00) -----*-----				
-28	106-FP	. INSULATOR, Feedthru Fed Mfr Code 83241 . . . . .	3			
		(306-0060-00)				
-29	VCM15E241J	. CAPACITOR, Fixed, mica dielectric, 240 UUF ±5%, . . . .	1			
		500 V Fed Mfr Code 72136 (912-0521-00) (Used effective RF Oscillator No MOD)				
-29	VCM15E331J	. CAPACITOR, Fixed, mica dielectric, 330 UUF ±5%, . . . .	1			
		500 V Fed Mfr Code 72136 (912-0530-00) (Used effective RF Oscillator MOD-1 thru MOD-3)				
-30	RC32GF224K	. RESISTOR, Fixed, COMP, 0.22 MEG ±10%, 1 W . . . . .	1			
		(MIL-R-11) (745-3450-00)				
-31	506-6192-002	. COIL, RF, 250 KC . . . . .	2			
		(ATTACHING PARTS)				
	COML	. NUT, HEX, 1/4-28, BRS, NI PL Fed Mfr Code 77250 . .	2			
		(313-0149-00)				
	AN936A416B	. WASHER, Lock, 0.267 ID, 0.478 OD, 0.025 IN. THK, . . .	2			
		PH BRZ, CAD PL (373-3050-00)				
	X1983-3	. SPRING, Locking Fed Mfr Code 71279 (340-0507-00) . .	2			
		-----*-----				
-32	VCM15E391J	. CAPACITOR, Fixed, mica dielectric, 390 UUF ±5%, . . . .	1			
		500 V Fed Mfr Code 72136 (912-0536-00)				
-33	96P10302S4	. CAPACITOR, Fixed, paper dielectric, 10,000 UUF ±20%, .	1			
		200 V Fed Mfr Code 56289 (931-2537-00)				
-34	RC20GF104K	. RESISTOR, Fixed, COMP, 0.10 MEG ±10%, 1/2 W . . . . .	1			
		(MIL-R-11) (745-1436-00)				
-35	935-5016-00	. CAPACITOR, Fixed, mica dielectric, 800 UUF ±2%, . . . .	1			
		300 V				
-36	C-0047471	. COIL, RF, 494 UH Fed Mfr Code 95265 (240-0196-00) . .	1			
		(Used effective RF Oscillator MOD-1 thru MOD-3)				
-37	506-6208-003	. SHIELD, Transformer . . . . .	1			
		(ATTACHING PARTS)				
	AN340B4	. NUT, HEX, 4-40, BRS, NI PL (313-0051-00) . . . . .	4			
	AN936B4B	. WASHER, Lock, 0.123 ID, 0.255 OD, 0.016 IN. THK . . . .	5			
		PH BRZ, CAD PL (373-7010-00)				
	502-1664-001	. POST, Spacing . . . . .	4			
	MS35198-14	. SCREW, Machine, cross recessed FH, 4-40 X 3/8 . . . . .	4			
		IN. LG, BRS, NI PL (342-0154-00)				
	MS35214-11	. SCREW, Machine, cross recessed pan HD, 4-40 X . . . . .	1			
		3/16 IN. LG, BRS, NI PL (343-0284-00) -----*-----				
-37.1	2102-04-00	. TERMINAL, Lug, PH BRZ Fed Mfr Code 78189 . . . . .	1			
		(304-3110-00) (ATTACHING PARTS)				
	AN340B4	. NUT, HEX, 4-40, BRS, NI PL (313-0051-00) . . . . .	1			
	AN936B4B	. WASHER, Lock, 0.123 ID, 0.255 OD, 0.016 IN. THK, . . . .	1			
		PH BRZ, CAD PL (373-7010-00)				
	MS35198-12	. SCREW, Machine, cross recessed FH, 4-40 X 1/4 IN. . . . .	1			
		LG, BRS, NI PL (342-0152-00) -----*-----				
-38	506-6216-004	. HOUSING Oscillator . . . . .	1			

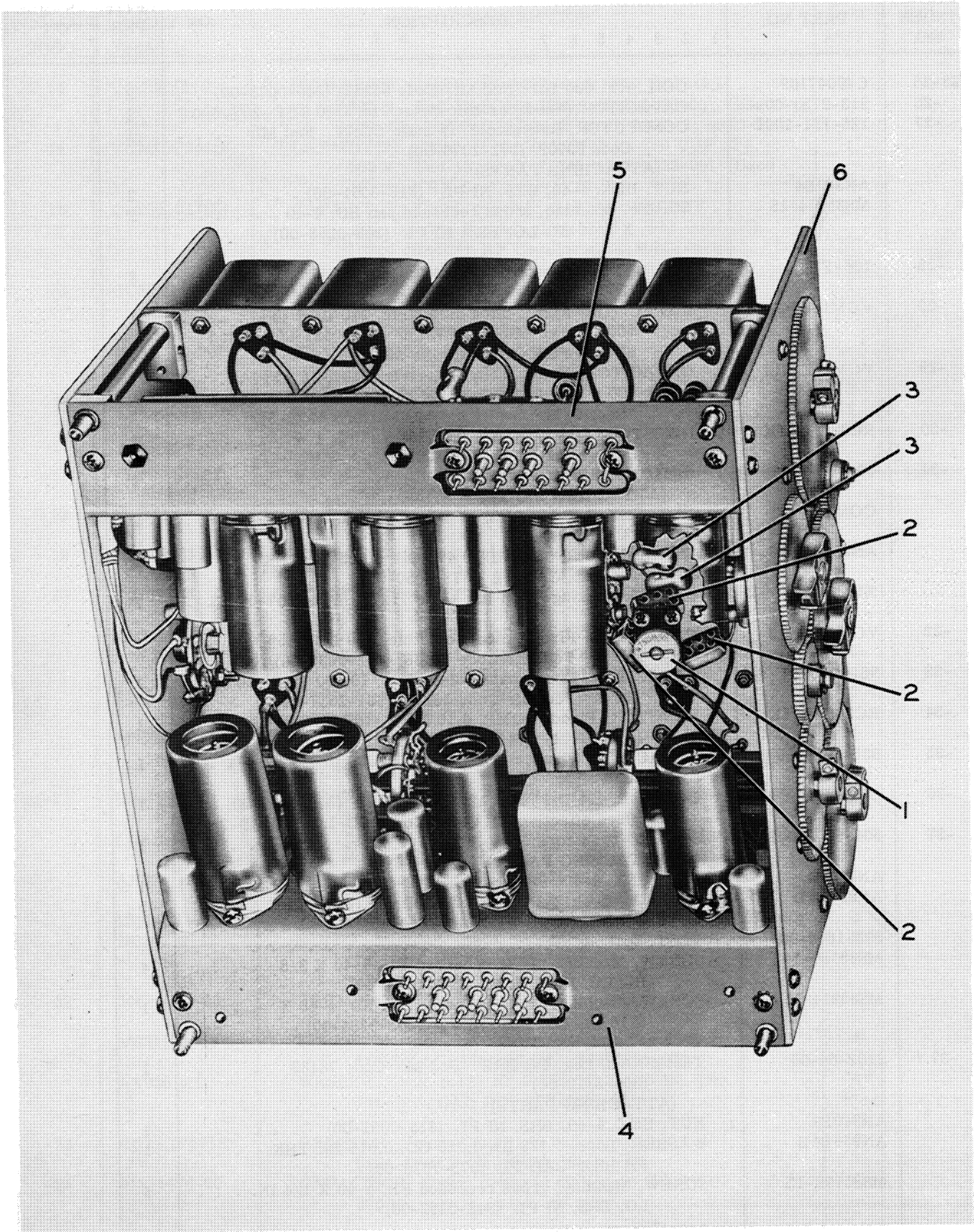


Figure 24. RF Tuner, Bottom View (No Mod Mod-1 thru Mod-10)

FIG. & INDEX NO.	PART NO.	DESCRIPTION 1 2 3 4 5 6 7	UNITS PER ASSY.	USABLE ON CODE
24-	506-7041-006	TUNER, RF, bottom view (See figure 3-9 for next . . . . . higher ASSY) (Effective RF Tuner No MOD, MOD-1 thru MOD-6)	REF	
24-	540-9967-002	TUNER, RF, bottom view (See figure 3-9 for next . . . . . higher ASSY) (Effective RF Tuner MOD-7 thru MOD-10)	REF	
-1	917-1075-00	. CAPACITOR Variable, ceramic dielectric, 8.0 to . . . . . 75.0 UUF, 350 V (ATTACHING PARTS)	1	
	MS35214-12	. SCREW, Machine, cross recessed pan HD, 4-40 X . . . . . 1/4 IN. LG, BRS, NI PL (343-0285-00)	2	
		-----*		
-2	CM15E511G	. CAPACITOR, Fixed, mica dielectric, 510 UUF ±2%, . . . . . 300 V Fed Mfr Code 72136 (912-0544-00)	3	
-3	CC22CK010C	. CAPACITOR, Fixed, ceramic dielectric, 1.0 UUF ±1/4 . . . . . UUF, 500 V (MIL-C-20B) (928-0070-00)	2	
-4	506-7036-005	. CHASSIS, RF tube (See figures 25 and 26) . . . . . (ATTACHING PARTS)	1	
	MS35214-13	. SCREW, Machine, cross recessed pan HD, 4-40 X . . . . . 5/16 IN. LG, BRS, NI PL (343-0286-00)	4	
	AN936B4	. WASHER, Lock, 0.123 ID, 0.255 OD, 0.016 IN. THK, . . . . . SST (373-8010-00)	4	
		-----*		
-5	506-7037-005	. CHASSIS, IF tube (See figures 27 and 28) . . . . . (ATTACHING PARTS)	1	
	MS35214-13	. SCREW, Machine, cross recessed pan HD, 4-40 X . . . . . 5/16 IN. LG, BRS, NI PL (343-0286-00)	4	
	AN936B4	. WASHER, Lock, 0.123 ID, 0.255 OD, 0.016 IN. THK, . . . . . SST (373-8010-00)	4	
		-----*		
-6	NO NUMBER	. RF TUNER COILS AND SWITCHES (See figure 29) . . . . . (Used effective No MOD, MOD-1 thru MOD-10)	1	
25-	506-7036-005	CHASSIS, RF tube, top view (See figure 24-4 for next . . . . . higher ASSY) (Effective RF Tuner No MOD, MOD-1 thru MOD-10)	REF	
-1	541-6554-003	. SHIELD, Electron tube, BRS . . . . .	2	
-2	5686	. ELECTRON TUBE, Pentode Fed Mfr Code 95445 . . . . . (253-0009-00)	2	
-2.1	541-6532-003	. INSERT, Electron tube socket, COP . . . . .	2	
-3	TS103P01	. SOCKET, Tube, 9 CONT miniature (220-1103-00) . . . . . (ATTACHING PARTS)	2	
	AN340B4	. NUT, HEX, 4-40, BRS, NI PL (313-0051-00) . . . . .	4	
	AN936B4	. WASHER, Lock, 0.123 ID, 0.255 OD, 0.016 IN. THK, . . . . . SST (373-8010-00)	4	
	304-0020-00	. TERMINAL, Lug, PH BRZ . . . . .	2	
	MS35214-12	. SCREW, Machine, cross recessed pan HD, 4-40 X . . . . . 1/4 IN. LG, BRS, NI PL (343-0285-00)	4	
		-----*		
-4	541-6551-003	. SHIELD, Electron tube, BRS . . . . .	2	
-5	5749	. ELECTRON TUBE, Pentode Fed Mfr Code 95445 . . . . . (253-0005-00)	2	
-5.1	541-6533-003	. INSERT, Electron tube socket, COP . . . . .	2	
-6	TS102P01	. SOCKET, Tube, 7 CONT miniature (220-1111-00) . . . . .	2	

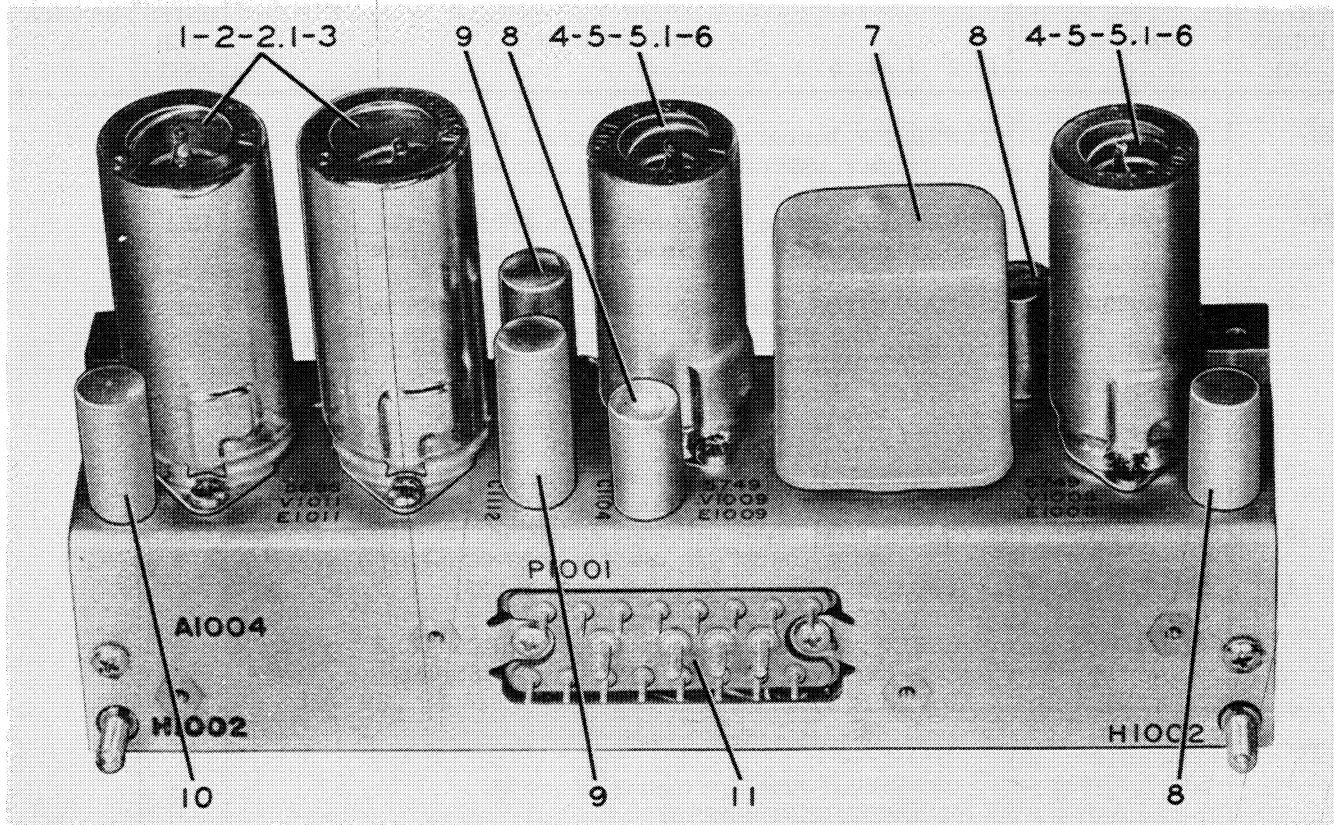


Figure 25. RF Tube Chassis, Top View (No Mod, Mod-1 thru Mod-10)

FIG. & INDEX NO.	PART NO.	DESCRIPTION							UNITS PER ASSY.	USABLE ON CODE	
		1	2	3	4	5	6	7			
25-		(ATTACHING PARTS)									
	AN340B4	.							2		
	AN936B4	.							2		
	304-0020-00	.							1		
	MS35214-12	.							2		
	MS35214-11	.							2		
	306-0234-00	.							2		
		-----*									
	-7	22300-54	.							1	
			(ATTACHING PARTS)								
	AN340B4	.							3		
	AN936B4	.							3		
	2522-06-00	.							1		
	304-0020-00	.							1		
		-----*									
-8	86P10303S15	.							3		

FIG. & INDEX NO.	PART NO.	DESCRIPTION	UNITS PER ASSY.	USABLE ON CODE		
					1	2
25-		(ATTACHING PARTS)				
	COML	. NUT, HEX, 5/16-24, BRS, NI PL Fed Mfr Code 77250 . . . . .	3			
		(334-0254-00)				
	AN936A516	. WASHER, Lock, 0.322 ID, 0.435 OD, 0.022 IN. THK, . . . . .	3			
		STL, CAD PL (373-0080-00)				
		-----*				
-9	86P10403S15	. CAPACITOR, Fixed, paper dielectric, 100,000 UUF . . . . .	2			
		±20%, 300 V Fed Mfr Code 56289 (931-0626-00)				
		(ATTACHING PARTS)				
	COML	. NUT, HEX, 5/16-24, BRS, NI PL Fed Mfr Code . . . . .	2			
		77250 (334-0254-00)				
	AN936A516	. WASHER, Lock, 0.322 ID, 0.435 OD, 0.022 IN. THK, . . . . .	2			
		STL, CAD PL (373-0080-00)				
		-----*				
-10	86P10402S15	. CAPACITOR, Fixed, paper dielectric, 100,000 UUF . . . . .	1			
		±20%, 200 V Fed Mfr Code 56289 (931-0607-00)				
		(ATTACHING PARTS)				
	COML	. NUT, HEX, 5/16-24, BRS, NI PL Fed Mfr Code 77250 . . . . .	1			
		(334-0254-00)				
	AN936A516	. WASHER, Lock, 0.322 ID, 0.435 OD, 0.022 IN. THK, . . . . .	1			
		STL, CAD PL (373-0080-00)				
		-----*				
-11	126-806-1001	. CONNECTOR, PLUG, 20 RD male CONT Fed Mfr . . . . .	1			
		Code 89709 (372-1069-00)				
		(ATTACHING PARTS)				
	AN340B4	. NUT, HEX, 4-40, BRS, CAD PL (313-0039-00) . . . . .	2			
	MS35214-16	. SCREW, Machine, cross recessed pan HD, 4-40 X . . . . .	2			
		1/2 IN. LG, BRS, NI PL (343-0289-00)				
		-----*				
26-	506-7036-005	CHASSIS, RF tube, bottom view (See figure 24-4 for . . . . .	REF			
		next higher ASSY) (Effective RF Tuner No MOD, MOD-1 thru MOD-10)				
-1	506-6981-003	. RESISTOR ASSY, Front . . . . .	1			
		(ATTACHING PARTS)				
	MS35214-12	. SCREW, Machine, cross recessed pan HD, 4-40 X . . . . .	2			
		1/4 IN. LG, BRS, NI PL (343-0285-00)				
		-----*				
-2	RC20GF153K	. . RESISTOR, Fixed, COMP, 15,000 ohms ±10%, 1/2 W . . . . .	1			
		(745-1401-00)				
-3	18-1117	. . COIL, RF, 2.0 UH Electro Assemblies, Inc. . . . .	1			
		(240-0134-00)				
-4	RC20GF123K	. . RESISTOR, Fixed, COMP, 12,000 ohms ±10%, . . . . .	1			
		1/2 W (745-1398-00)				
-4.1	RC32GF273K	. . RESISTOR, Fixed, COMP, 27,000 ohms ±10%, . . . . .	1			
		1 W (745-3412-00)				
-5	506-6922-002	. . BOARD, Terminal, general purpose . . . . .	1			
-6	913-2750-00	. CAPACITOR, Fixed, ceramic dielectric, 3300 UUF . . . . .	2			
		±20%, 500 V				
-7	RC20GF331K	. RESISTOR, Fixed, COMP, 330 ohms ±10%, 1/2 W . . . . .	1			
		(745-1331-00)				
-8	RC20GF104K	. RESISTOR, Fixed, COMP, 0.10 MEG ±10%, 1/2 W . . . . .	1			
		(745-1436-00)				
-9	RC20GF273K	. RESISTOR, Fixed, COMP, 27,000 ohms ±10%, 1/2 W . . . . .	1			
		(745-1412-00)				

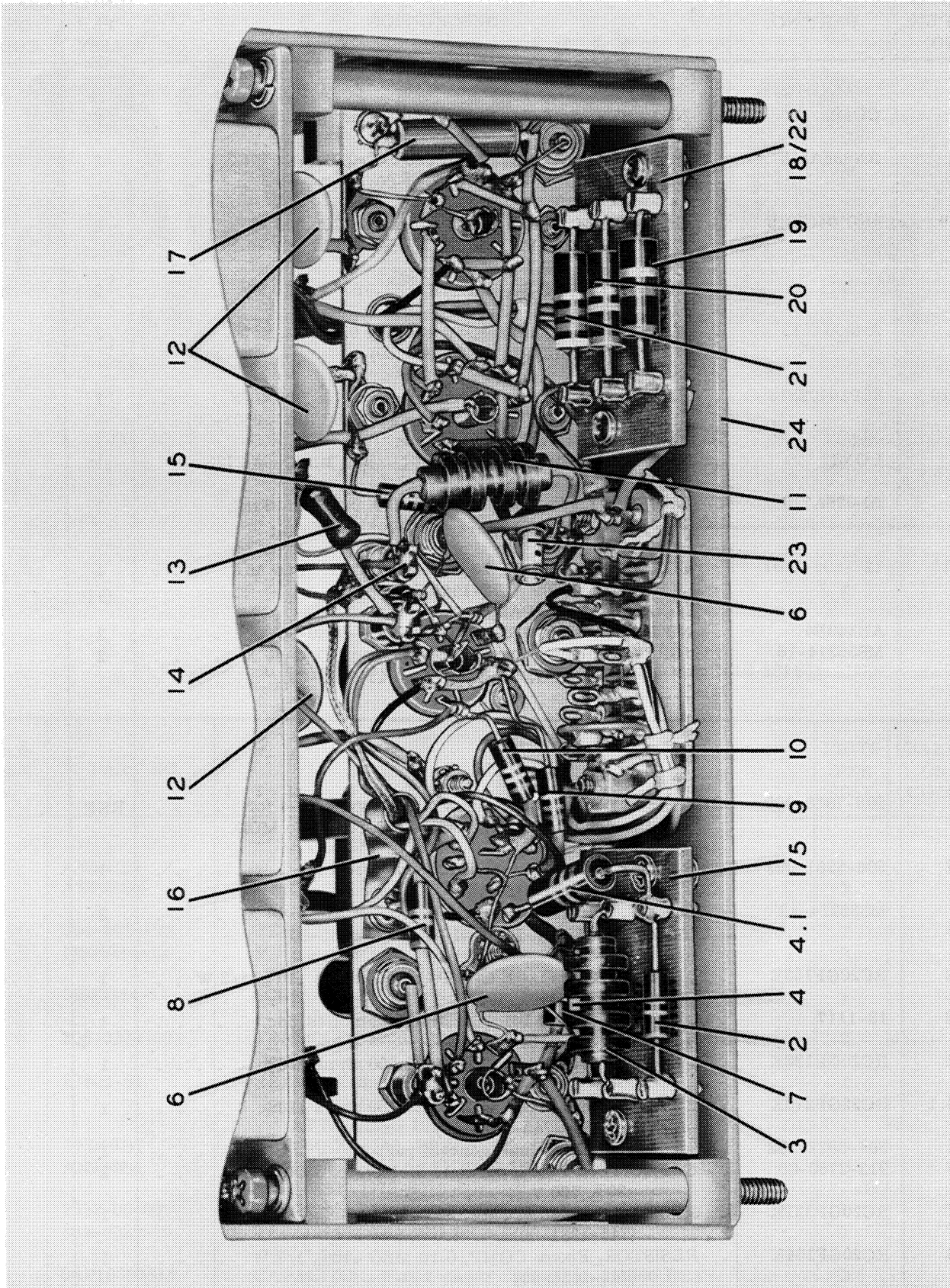


Figure 26. RF Tube Chassis, Bottom View (No Mod, Mod-1 thru Mod-10)

FIG. & INDEX NO.	PART NO.	DESCRIPTION	UNITS PER ASSY.	USABLE ON CODE		
					1	2
26-10	RC20GF221K	. RESISTOR, Fixed, COMP, 220 ohms ±10%, 1/2 W . . . . . (745-1324-00)	1			
-11	18-1117	. COIL, RF, 2.0 UH Electro Assemblies, Inc. . . . . (240-0134-00)	1			
-12	CK63Y103Z	. CAPACITOR, Fixed, ceramic dielectric, 10,000 UUF . . . +100-20%, 500 V (913-1188-00)	3			
-13	CC22CH120J	. CAPACITOR, Fixed, ceramic dielectric, 12 UUF ±5% . . 500 V (928-0141-00)	1			
-14	306-0234-00	. TERMINAL, Stud, BRS . . . . . (ATTACHING PARTS)	1			
	MS35214-12	. SCREW, Machine, cross recessed pan HD, 4-40 X . . . . . 1/4 IN. LG, BRS, NI PL (343-0285-00)	1			
	AN936B4	. WASHER, Lock, 0.123 ID, 0.255 OD, 0.016 IN. THK, . . . SST (373-8010-00)	1			
	304-0020-00	. TERMINAL, Lug, PH BRZ . . . . . -----*	1			
-15	RC20GF183K	. RESISTOR, Fixed, COMP, 18,000 ohms ±10%, 1/2 W . . . (745-1405-00)	1			
-16	506-6968-002	. SPRING, Anchor . . . . . (ATTACHING PARTS)	1			
	MS35214-23	. SCREW, Machine, cross recessed pan HD, 6-32 X . . . . . 1/4 IN. LG, BRS, NI PL (343-0328-00) -----*	1			
-17	96P10303S2	. CAPACITOR, Fixed, paper dielectric, 10,000 UUF ±20%, . . 300 V Fed Mfr Code 56289 (931-0437-00)	1			
-18	506-6982-003	. RESISTOR ASSY, Rear . . . . . (ATTACHING PARTS)	1			
	MS35214-12	. SCREW, Machine, cross recessed pan HD, 4-40 X 1/4 . . IN. LG, BRS, NI PL (343-0285-00) -----*	2			
-19	RC32GF101K	. . RESISTOR, Fixed, COMP, 100 ohms ±10%, 1 W . . . . . (745-3310-00)	1			
-20	RC32GF103K	. . RESISTOR, Fixed, COMP, 10,000 ohms ±10%, 1 W . . . . (745-3394-00)	1			
-21	RC32GF471K	. . RESISTOR, Fixed, COMP, 470 ohms ±10%, 1 W . . . . . (745-3338-00)	1			
-22	506-6923-002	. . BOARD, Terminal, rear . . . . .	1			
-23	CC30CH200J	. CAPACITOR, Fixed, ceramic dielectric, 20 UUF . . . . . ±5%, 500 V (916-4188-00)	1			
-24	506-7029-004	. CHASSIS, RF tube . . . . .	1			
27-	506-7037-005	CHASSIS, IF tube, top view (See figure 24-5 for next . . . . . higher ASSY) (Effective RF Tuner No MOD, MOD-1 thru MOD-10)	REF			
-1	541-6550-003	. SHIELD, Electron tube, BRS . . . . .	2			
-2	541-6551-003	. SHIELD, Electron tube, BRS . . . . .	5			
-3	5654	. ELECTRON TUBE, RF pentode Fed Mfr Code . . . . . 95445 (253-0001-00)	2			
-4	5750	. ELECTRON TUBE, Pentagrid converter Fed Mfr . . . . . Code 95445 (253-0007-00)	4			
-5	5749	. ELECTRON TUBE, Pentode Fed Mfr Code 95445 . . . . . (253-0005-00)	1			
-5.1	541-6532-003	. INSERT, Electron tube socket, COP . . . . .	7			

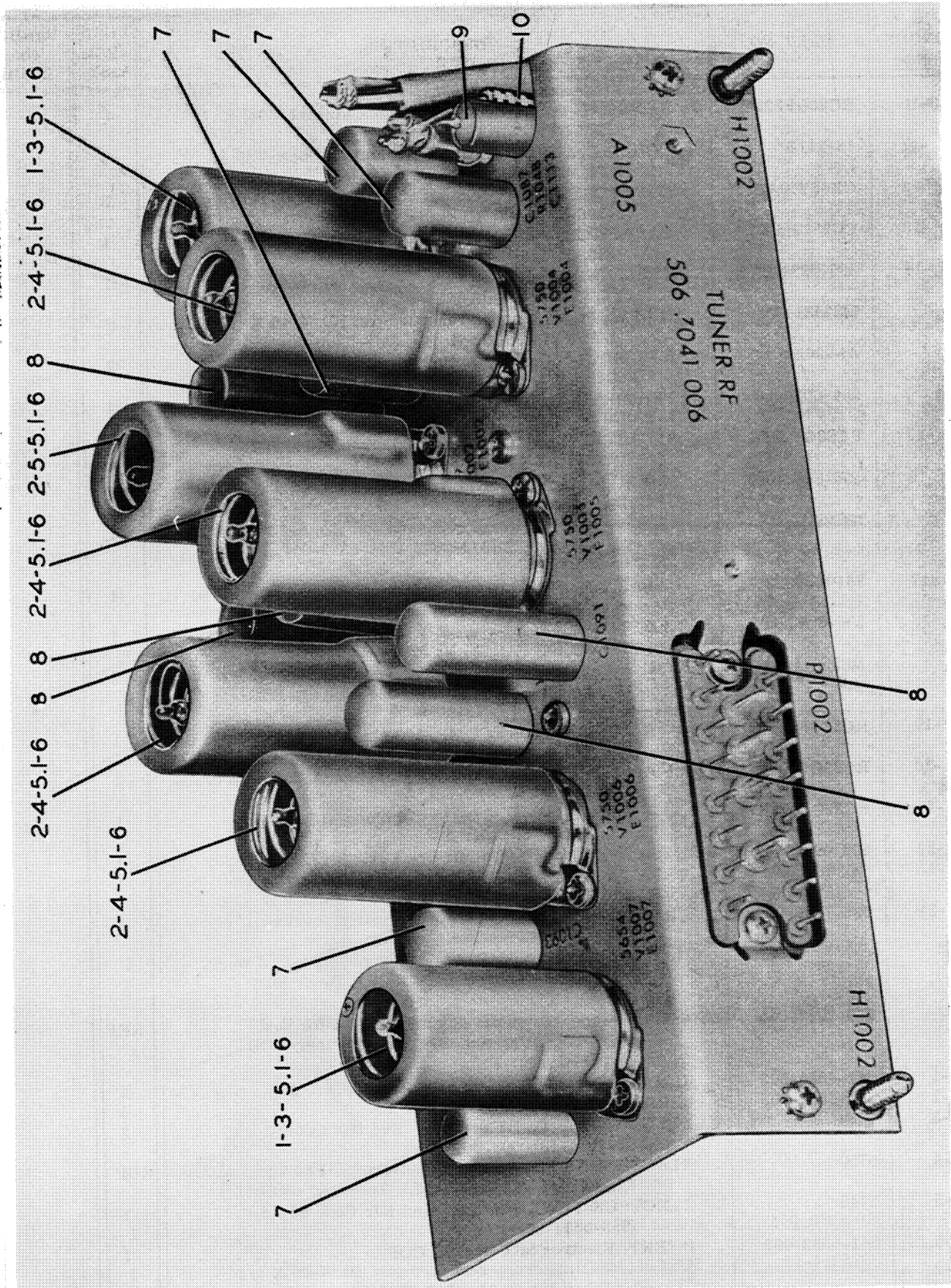


Figure 27. IF Tube Chassis, Top View (No Mod, Mod-1 thru Mod-10)



FIG. & INDEX NO.	PART NO.	DESCRIPTION	UNITS PER ASSY.	USABLE ON CODE		
					1	2
27-6	TS102P01	. SOCKET, Tube, 7 CONT miniature (220-1111-00) . . . . . (ATTACHING PARTS)	7			
	AN340B4	. NUT, HEX, 4-40, BRS, NI PL (313-0051-00) . . . . .	8			
	306-0234-00	. TERMINAL, Stud, BRS . . . . .	3			
	502-1427-002	. PLATE, Electrical shield . . . . .	2			
	COML	. WASHER, Lock, 0.115 ID, 0.212 OD, 0.025 IN. THK, . . . . PH BRZ, CAD PL Fed Mfr Code 78189 (310-0095-00)	4			
	MS35214-13	. SCREW, Machine, cross recessed pan HD, 4-40 X . . . . . 5/16 IN. LG, BRS, NI PL (343-0286-00)	7			
	MS35214-16	. SCREW, Machine, cross recessed pan HD, 4-40 X . . . . . 1/2 IN. LG, BRS, NI PL (343-0289-00)	1			
MS35214-11	. SCREW, Machine, cross recessed pan HD, 4-40 X . . . . . 3/16 IN. LG, BRS, NI PL (343-0284-00)	6				
-7	86P10303S15	. CAPACITOR, Fixed, paper dielectric, 10,000 UUF ±30%, . . . 300 V Fed Mfr Code 56289 (931-0620-00) (ATTACHING PARTS)	5			
	COML	. NUT, HEX, 5/16-24, BRS, NI PL Fed Mfr Code 77250 . . . (334-0254-00)	5			
	AN936A516	. WASHER, Lock, 0.322 ID, 0.435 OD, 0.022 IN. THK, . . . . STL, CAD PL (373-0080-00)	5			
-8	86P10403S15	. CAPACITOR, Fixed, paper dielectric, 100,000 UUF . . . . . ±20%, 300 V Fed Mfr Code 56289 (931-0626-00) (ATTACHING PARTS)	5			
	COML	. NUT, HEX, 5/16-24, BRS, NI PL Fed Mfr Code 77250 . . . (334-0254-00)	5			
	AN936A516	. WASHER, Lock, 0.322 ID, 0.435 OD, 0.022 IN. THK, . . . . STL, CAD PL (373-0080-00)	5			
-9	96P10401S2	. CAPACITOR, Fixed, paper dielectric, 100,000 UUF . . . . . ±20%, 100 V Fed Mfr Code 56289 (931-0404-00) (Used effective RF Tuner No MOD, MOD-1 thru MOD-8)	1			
-9	96P47301S2	. CAPACITOR, Fixed, paper dielectric, 47,000 UUF . . . . . ±20%, 100 V Fed Mfr Code 56289 (931-0402-00) (Used effective RF Tuner MOD-9 and MOD-10)	1			
-10	RC20BF334K	. RESISTOR, Fixed, COMP, 0.33 MEG, ±10%, 1/2 W . . . . . (745-1191-00) (Used effective RF Tuner No MOD, MOD-1)	1			
-10	RC20BF474K	. RESISTOR, Fixed, COMP, 470,000 ohms ±10%, 1/2 W . . . . (745-1198-00) (Used effective RF Tuner MOD-2 thru MOD-7)	1			
-10	RC20GF474K	. RESISTOR, Fixed, COMP, 470,000 ohms ±10%, 1/2 W . . . . (745-1464-00) (Used effective RF Tuner MOD-8 thru MOD-10)	1			
28-	506-7037-005	CHASSIS, IF tube, bottom view (See figure 24-5 for . . . . . next higher ASSY) (Effective RF Tuner No MOD, MOD-1 thru MOD-10)	REF			
-1	506-6980-003	. RESISTOR ASSY, Tuner . . . . . (ATTACHING PARTS)	1			
	MS35214-13	. SCREW, Machine, cross recessed pan HD, 4-40 X 5/16 . . . IN. LG, BRS, NI PL (343-0286-00)	2			

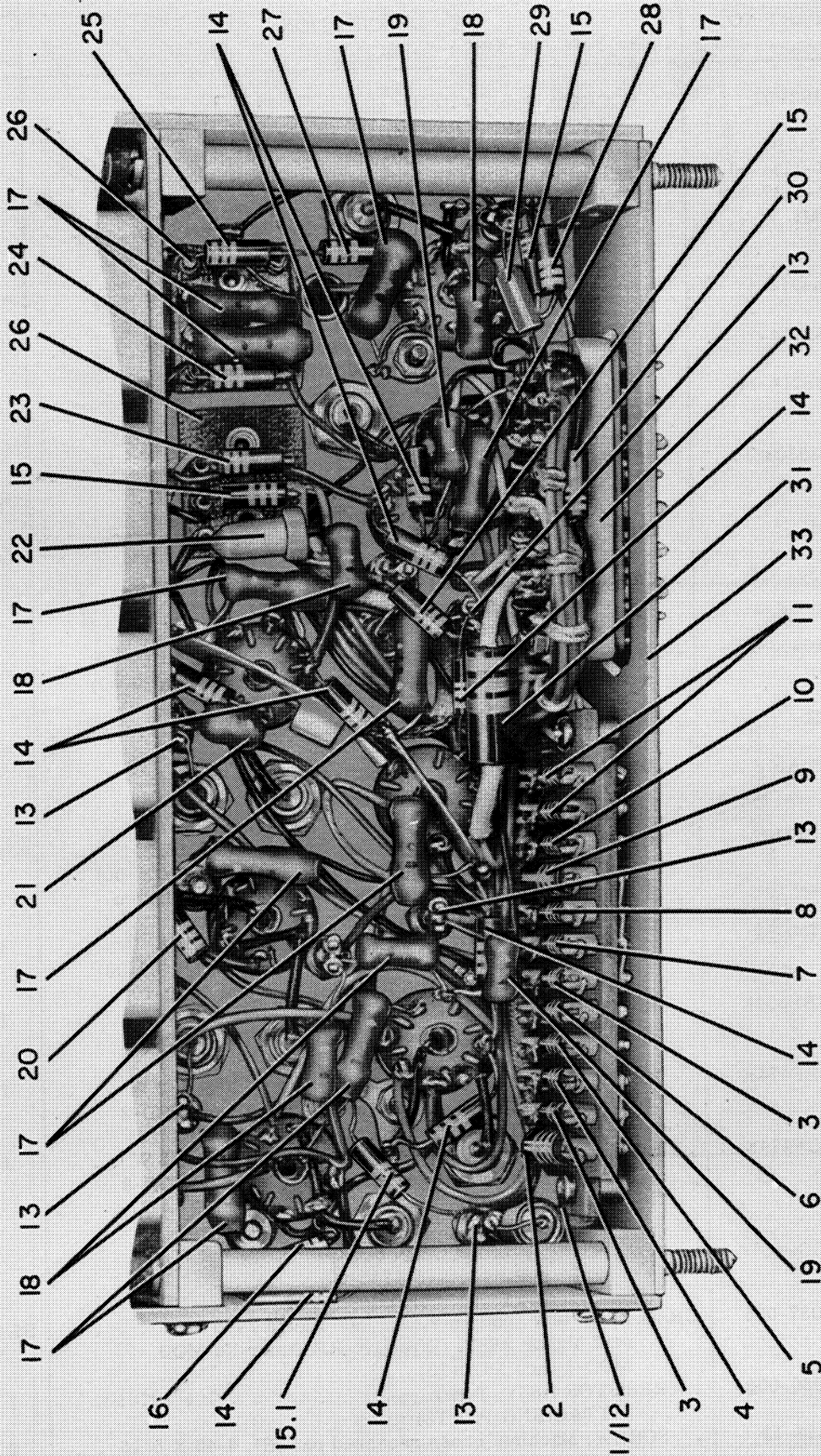


Figure 28. IF Tube Chassis, Bottom View (No Mod, Mod-1 thru Mod-10)

FIG. & INDEX NO.	PART NO.	DESCRIPTION	UNITS PER ASSY.	USABLE ON CODE		
					1	2
28-2	RC32GF223K	. . RESISTOR, Fixed, COMP, 22,000 ohms ±10%, 1 W (745-3408-00)	1			
-3	RC20GF473K	. . RESISTOR, Fixed, COMP, 47,000 ohms ±10%, 1/2 W (745-1422-00)	2			
-4	RC20GF823K	. . RESISTOR, Fixed, COMP, 82,000 ohms ±10%, 1/2 W (745-1433-00)	1			
-5	RC20GF222K	. . RESISTOR, Fixed, COMP, 2200 ohms ±10%, 1/2 W (745-1366-00 (Used effective RF Tuner No MOD, MOD-1 thru MOD-7)	1			
-5	RC20GF102K	. . RESISTOR, Fixed, COMP, 1000 ohms ±10%, 1/2 W (745-1352-00) (Used effective RF Tuner MOD-8 thru MOD-10)	1			
-6	RC20GF221K	. . RESISTOR, Fixed, COMP, 220 ohms ±10%, 1/2 W (745-1324-00)	1			
-7	RC20GF472K	. . RESISTOR, Fixed, COMP, 4700 ohms ±10%, 1/2 W (745-1380-00)	1			
-8	RC32GF563K	. . RESISTOR, Fixed, COMP, 56,000 ohms ±10%, 1 W (745-3426-00)	1			
-9	RC32GF683K	. . RESISTOR, Fixed, COMP, 68,000 ohms ±10%, 1 W (745-3429-00)	1			
-10	RC20GF104K	. . RESISTOR, Fixed, COMP, 0.10 MEG ±10%, 1/2 W (745-1436-00)	1			
-11	RC20GF331K	. . RESISTOR, Fixed, COMP, 330 ohms ±10%, 1/2 W (745-1331-00)	2			
-12	506-6921-002	. . BOARD, Terminal, staked	1			
-13	306-0234-00	. . TERMINAL, Stud, BRS (ATTACHING PARTS)	6			
	AN340B4	. . NUT, HEX, 4-40, BRS, NI PL (313-0051-00)	2			
	MS35214-11	. . SCREW, Machine, cross recessed pan HD, 4-40 X 3/16 IN. LG (343-0284-00)	4			
	AN936B4	. . WASHER, Lock, 0.123 ID, 0.255 OD, 0.016 IN. THK, SST (373-8010-00)	1			
	COML	. . STUD, 4-40 X 1/2 IN. LG, BRS, CAD PL Fed Mfr Code 77250 (312-0064-00)	1			
	2522-06-00	. . TERMINAL, Lug, BRS Fed Mfr Code 78189 (304-4200-00)	1			
		-----*				
-14	RC20GF563K	. . RESISTOR, Fixed, COMP, 56,000 ohms ±10%, 1/2 W (745-1426-00)	8			
-15	RC20GF104K	. . RESISTOR, Fixed, COMP, 0.10 MEG ±10%, 1/2 W (745-1436-00)	3			
-15.1	RC20GF104K	. . RESISTOR, Fixed, COMP, 0.10 MEG ±10%, 1/2 W (745-1436-00) (Used effective RF Tuner No MOD, MOD-1, MOD-2, MOD-3)	1			
-15.1	RC20GF823K	. . RESISTOR, Fixed, COMP, 82,000 ohms ±5%, 1/2 W (745-1432-00) (Used effective RF Tuner MOD-4 thru MOD-10)	1			
-16	RC20GF681K	. . RESISTOR, Fixed, COMP, 680 ohm ±10%, 1/2 W (MIL-R-11) (745-1345-00)	1			
-17	913-2750-00	. . CAPACITOR, Fixed, ceramic dielectric, 3300 UUF ±20%, 500 V	10			
-18	928-4922-00	. . CAPACITOR, Fixed, ceramic dielectric, 100 UUF ±5%, 500 V	4			
-19	CC22CH050F	. . CAPACITOR, Fixed, ceramic dielectric, 5 UUF ±1 UUF, 500 V (MIL-C-20B) (928-0119-00)	2			
-20	RC20GF101K	. . RESISTOR, Fixed, COMP, 100 ohm ±10%, 1/2 W (MIL-R-11) (745-1310-00)	1			

Section II  
Group Assembly Parts List

T.O. 12R2-4-6-4

FIG. & INDEX NO.	PART NO.	DESCRIPTION	UNITS PER ASSY.	USABLE ON CODE		
					1	2
28-21	CC22CH050F	. CAPACITOR, Fixed, ceramic, dielectric, 5 UUF ±1 . . . . . UUF, 500 V (MIL-C-20B) (928-0119-00)	1			
-22	PP4B60A2	. CAPACITOR, Fixed, ELECT., 4 UF ±20%, 60 V . . . . . Fed Mfr Code 21520 (184-7000-00) (Used effective RF Tuner No MOD, MOD-1 thru MOD-9)	1			
-22	29F473	. CAPACITOR, Fixed, ELECT., 4.5 UF +75% -15%, . . . . . 50 V Fed Mfr Code 24446 (184-7037-00) (Used effective RF Tuner MOD-10)	1			
* -23	RC20GF472K	. RESISTOR, Fixed, COMP, 4700 ohm ±10%, 1/2 W . . . . . (MIL-R-11) (745-1380-00)	AR			
* -23	RC20GF562K	. RESISTOR, Fixed, COMP, 5600 ohms ±10%, 1/2 W . . . . . (MIL-R-11) (745-1384-00)	AR			
* -23	RC20GF682K	. RESISTOR, Fixed, COMP, 6800 ohm ±10%, 1/2 W . . . . . (MIL-R-11) (745-1387-00)	AR			
* -23	RC20GF822K	. RESISTOR, Fixed, COMP, 8200 ohm ±10%, 1/2 W . . . . . (MIL-R-11) (745-1391-00)	AR			
* -23	RC20GF103K	. RESISTOR, Fixed, COMP, 10,000 ohms ±10%, 1/2 W . . . . . (MIL-R-11) (745-1394-00)	AR			
* -23	RC20GF272K	. RESISTOR, Fixed, COMP, 2700 ohm ±10%, 1/2 W . . . . . (MIL-R-11) (745-1370-00)	AR			
* -23	RC20GF332K	. RESISTOR, Fixed, COMP, 3300 ohm ±10%, 1/2 W . . . . . (MIL-R-11) (745-1373-00)	AR			
* -23	RC20GF392K	. RESISTOR, Fixed, COMP, 3900 ohm ±10%, 1/2 W . . . . . (MIL-R-11) (745-1377-00)	AR			
-24	RC20GF393K	. RESISTOR, Fixed, COMP, 39,000 ohm ±10%, 1/2 W . . . . . (MIL-R-11) (745-1419-00)	1			
-25	RC20GF273K	. RESISTOR, Fixed, COMP, 27,000 ohm ±10%, 1/2 W . . . . . (MIL-R-11) (745-1412-00)	1			
-26	1180	. TERMINAL BOARD, Plastic, 0.062 X 0.719 X 0.875 IN., . . . . . INCL 8 lug terminals and 2 MTG eyelets Fed Mfr Code 88245 (306-0293-00) (ATTACHING PARTS)	2			
	COML	. SCREW, Machine, cross recessed pan HD, 3-48 X 1/4 . . . . . IN. LG, BRS, NI PL Fed Mfr Code 77250 (343-0384-00)	4			
	AN936A3	. WASHER, Lock, 0.109 ID, 0.225 OD, 0.016 IN. THK, . . . . . SST (373-8610-00) -----*-----	4			
-27	RC20GF124K	. RESISTOR, Fixed, COMP, 0.12 MEG ±10%, 1/2 W . . . . . (MIL-R-11) (745-1440-00)	1			
-28	RC20GF122K	. RESISTOR, Fixed, COMP, 1200 ohm ±10%, 1/2 W . . . . . (MIL-R-11) (745-1356-00)	1			
-29	HD6007	. SEMICONDUCTOR DEVICE, Diode, silicon Fed Mfr . . . . . Code 82577 (353-0205-00)	1			
-30	RC20GF223K	. RESISTOR, Fixed, COMP, 22,000 ohm ±10%, 1/2 W . . . . . (MIL-R-11) (745-1408-00)	1			
-31	RC42GF391K	. RESISTOR, Fixed, COMP, 390 ohm ±10%, 2 W . . . . . (MIL-R-11) (745-5635-00)	1			
-32	126-806-1001	. CONNECTOR, Plug, 20 RD male CONT Fed Mfr Code . . . . . 89709 (372-1069-00) (ATTACHING PARTS)	1			
	AN340B4	. NUT, HEX, 4-40, BRS, CAD PL (313-0039-00)	2			
	MS35214-16	. SCREW, Machine, cross recessed pan HD, 4-40 X . . . . . 1/2 IN. LG. BRS, NI PL (343-0289-00) -----*-----	2			
-33	506-7030-004	. CHASSIS, IF tube . . . . .	1			

\* Choose one resistor to meet the individual requirements of each IF Tube Chassis.

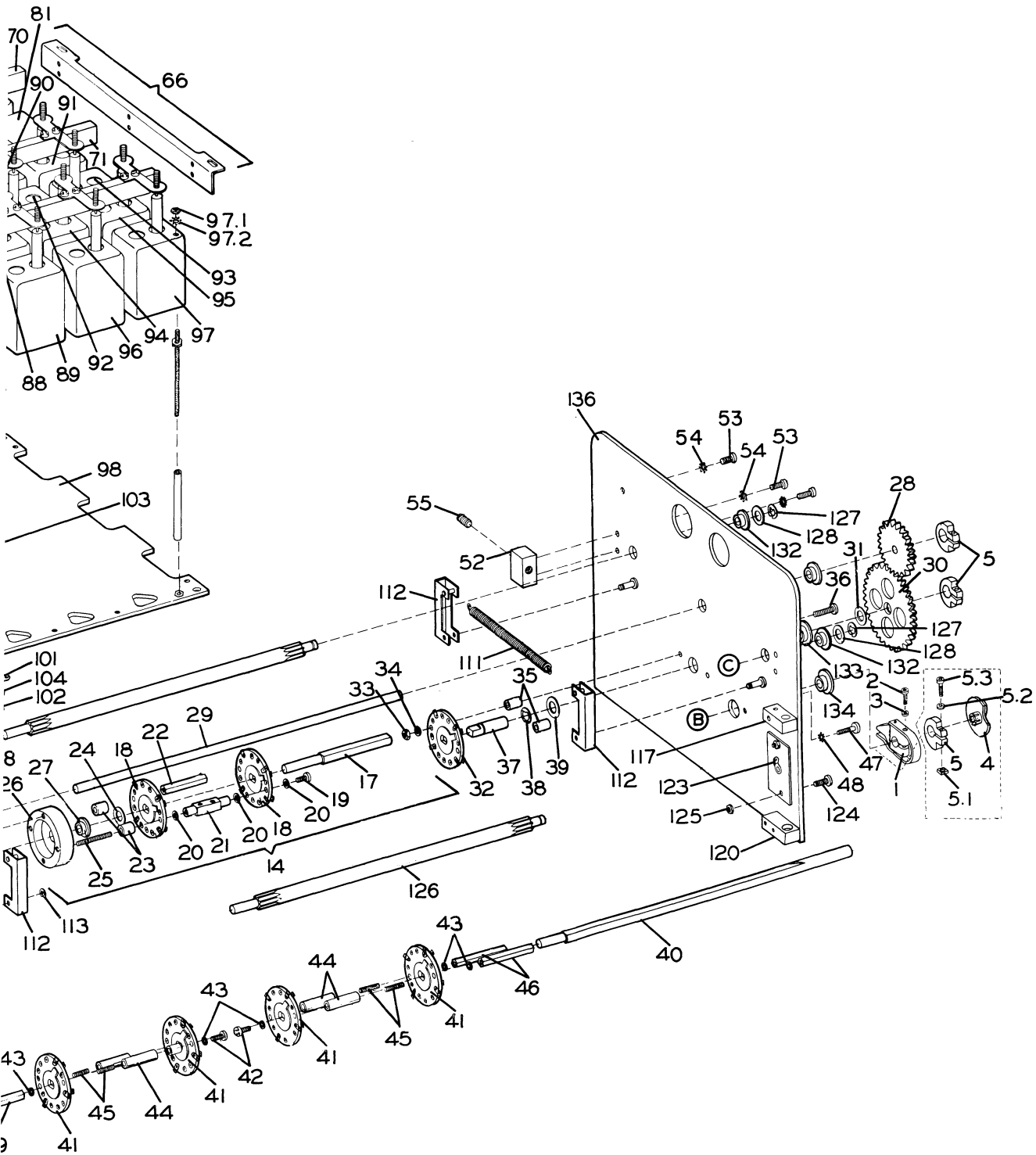


Figure 29. RF Tuner Coils and Switches  
(No Mod, Mod-1 thru Mod-10)

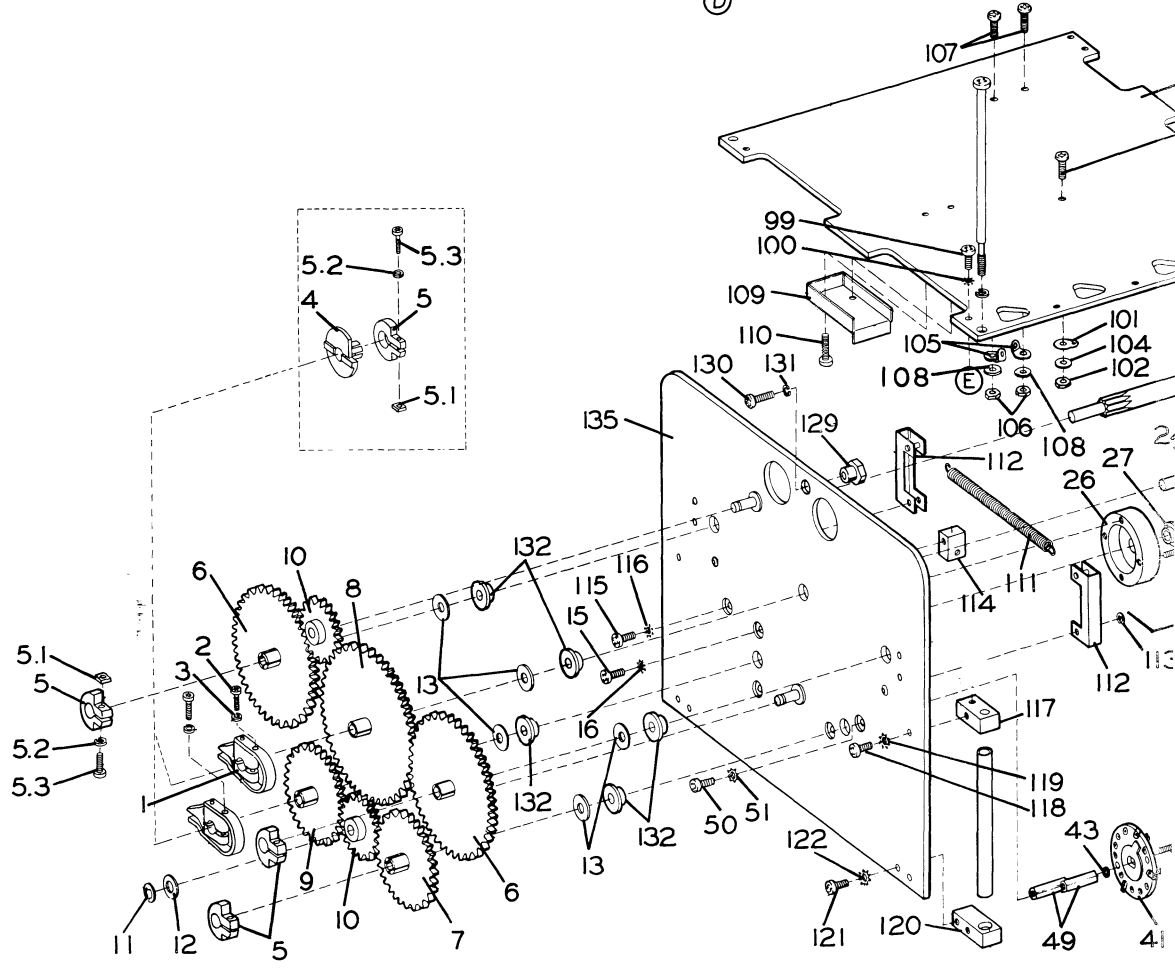
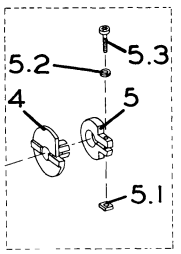
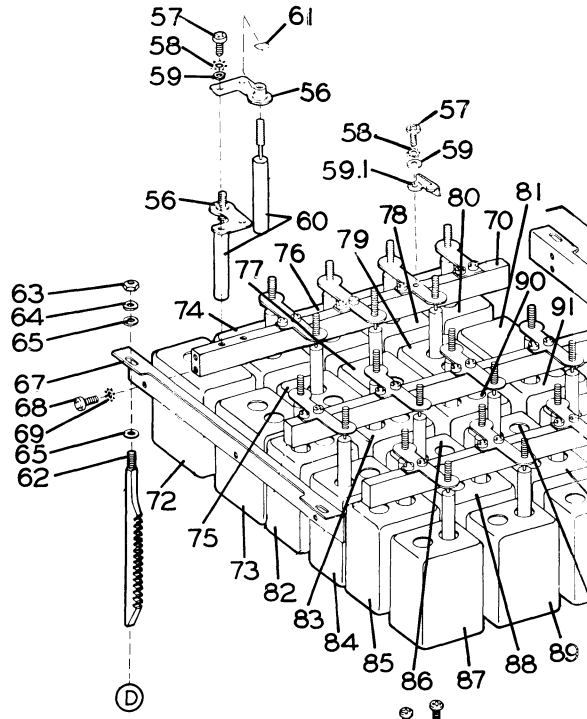


FIG. & INDEX NO.	PART NO.	DESCRIPTION							UNITS PER ASSY.	USABLE ON CODE
		1	2	3	4	5	6	7		
29-	NO NUMBER	RF TUNER COILS AND SWITCHES (See figure 24-6 . . . . . for next higher ASSY) (Effective RF tuner No. MOD, MOD-1 thru MOD-10)							REF	
-1	506-6928-002	. COUPLING, COP (Used effective RF Tuner No MOD, . . . MOD-1, MOD-2, MOD-3, MOD-4, MOD-5, MOD-6) (ATTACHING PARTS)							3	
-2	324-0300-00	. SCREW, Cap, socket HD, FIL H W/ multiple spline . . . recess, 4-40 X 1/2 IN. LG, STL, CAD PL Fed Mfr Code 77250 (324-0300-00)							3	
-3	COML	. WASHER, Lock, 0.125 ID, 0.187 OD, 0.312 IN. THK, . . . SST Fed Mfr Code 78189 (310-3340-00)							3	
-4	540-7421-003	-----*----- . COUPLING HALF, Shaft, STL (Used effective RF Tuner . . . MOD-7 thru MOD-10)							3	
-5	504-7537-002	. CLAMP, Loop, AL . . . . .							8	
-5.1	COML	. NUT, SQ, 4-40, STL, CAD PL Fed Mfr Code 77250 . . . (334-0485-00)							8	
-5.2	COML	. WASHER, Lock, 0.125 ID, 0.187 OD, 0.312 IN. THK, . . . SST Fed Mfr Code 78189 (310-3340-00)							8	
-5.3	COML	. SCREW, Cap, socket HD, FIL H W/ multiple spline . . . recess, 4-40 X 1/2 IN. LG, STL, CAD PL Fed Mfr Code 77250 (324-0300-00)							8	
-6	506-6958-002	-----*----- . GEAR, Spur, 114 teeth . . . . .							2	
-7	506-6961-002	. GEAR, Spur, 84 teeth . . . . .							1	
-8	506-6957-002	. GEAR, Spur, 123 teeth . . . . .							1	
-9	506-6960-002	. GEAR, Spur, 84 teeth . . . . .							1	
-10	540-5414-002	. GEAR, Spur, 45 teeth . . . . . (ATTACHING PARTS)							2	
-11	5133-18-S	. RING, Retainer, STL Fed Mfr Code 79136 . . . . . (340-0090-00)							2	
-12	506-5910-003	. WASHER, Flat, 0.197 ID, 0.375 OD, 0.015 IN. THK, SST . OR							2	
	506-5911-003	. WASHER, Flat, 0.197 ID, 0.375 OD, 0.015 IN. THK, SST . -----*-----							2	
-13	506-5910-003	. WASHER, Flat, 0.197 ID, 0.375 OD, 0.015 IN. THK, SST .							5	
-14	506-6984-003	. SWITCH ASSY, Tuner . . . . . (ATTACHING PARTS)							1	
-15	MS35214-13	. SCREW, Machine, cross recessed pan HD, 4-40 X . . . . . 5/16 IN. LG, BRS (343-0286-00)							2	
-16	AN936B4	. WASHER, Lock, 0.123 ID, 0.255 OD, 0.016 IN. THK, . . . SST (373-8010-00)							2	
-17	506-6954-002	-----*----- . . . SHAFT, Switch . . . . .							1	
-18	57420-FX	. . . SWITCH SECTION, Rotary, 12 positions Fed . . . . . Mfr Code 76854 (269-1623-00) (ATTACHING PARTS)							2	
-19	AN500B4R-5	. . . SCREW, Machine, cross recessed FIL H, 4-40 X . . . . . 5/16 IN. LG, BRS (347-0091-00)							2	
-20	8942	. . . WASHER, Flat, 0.116 ID, 0.187 OD, 0.031 IN. THK . . . phenolic Fed Mfr Code 76854 (302-0262-00)							6	
-21	540-1886-002	-----*----- . . . POST, Supporting . . . . .							1	
-22	500-6224-001	. . . POST, Spacing . . . . .							1	
-23	506-6967-002	. . . COLLAR, Spacing . . . . .							2	
-24	506-5910-003	. . . WASHER, Flat, 0.197 ID, 0.375 OD, 0.015 IN. . . . . THK, SST							1	
	506-5911-003	OR . . . WASHER, Flat, 0.197 ID, 0.375 OD, 0.015 IN. . . . . THK SST							1	

FIG. & INDEX NO.	PART NO.	DESCRIPTION							UNITS PER ASSY.	USABLE ON CODE
		1	2	3	4	5	6	7		
29-25	COML	.	.	STUD, 4-40 X 1/2 IN. LG, BRS Fed Mfr Code . . . . .					2	
				77250 (312-0069-00)						
-26	506-6927-002	.		BLOCK, Bearing . . . . .					1	
-27	F-342	.		BEARING, Sleeve, for plate Fed Mfr Code 90646 . . . . .					1	
				(309-5540-00)						
-28	506-6962-002	.		GEAR, Spur, 59 teeth . . . . .					1	
-29	506-6952-002	.		SHAFT, SST . . . . .					1	
-30	506-6959-002	.		GEAR, Spur, 91 teeth . . . . .					1	
-31	506-5908-003	.		WASHER, Flat, 0.260 ID, 0.437 OD, 0.015 IN. THK, SST . .					AR	
				OR						
	506-5909-003	.		WASHER, Flat, 0.260 ID, 0.437 OD, 0.015 IN. THK, SST . .					AR	
-32	57421-F	.		SWITCH SECTION, Rotary, 12 position Fed Mfr Code . .					1	
				76854 (269-1624-00)						
				(ATTACHING PARTS)						
-33	AN340B4	.		NUT, HEX, 4-40, BRS (313-0039-00) . . . . .					2	
-34	8942	.		WASHER, Flat, 0.116 ID, 0.187 OD, 0.031 IN. THK, . . . .					2	
				phenolic Fed Mfr Code 76854 (302-0262-00)						
-35	506-6967-002	.		COLLAR, Spacing . . . . .					2	
-36	MS35214-17	.		SCREW, Machine, cross recessed pan HD, 4-40 X . . . . .					2	
				5/8 IN. LG, BRS (343-0290-00)						
				-----*-----						
-37	506-6955-002	.		SHAFT, Switch . . . . .					1	
				(ATTACHING PARTS)						
-38	5133-25-S	.		RING, Retainer, STL Fed Mfr Code 79136 . . . . .					1	
				(340-0091-00)						
-39	506-5908-003	.		WASHER, Flat, 0.260 ID, 0.437 OD, 0.015 IN. THK, SST . .					AR	
				OR						
	506-5909-003	.		WASHER, Flat, 0.260 ID, 0.437 OD, 0.015 IN. THK, SST . .					AR	
				-----*-----						
-40	506-6953-002	.		SHAFT, Switch . . . . .					1	
-41	57420-FX	.		SWITCH SECTION, Rotary, 12 position Fed Mfr . . . . .					4	
				Code 76854 (269-1623-00)						
				(ATTACHING PARTS)						
-42	AN500B4R-5	.		SCREW, Machine, cross recessed FIL H, 4-40 X . . . . .					4	
				5/16 IN. LG, BRS (347-0091-00)						
-43	8942	.		WASHER, Flat, 0.116 ID, 0.187 OD, 0.031 IN. THK, . . . .					8	
				phenolic Fed Mfr Code 76854 (302-0262-00)						
-44	540-6648-002	.		POST, Spacing . . . . .					4	
-45	COML	.		STUD, 4-40 X 3/4 IN. LG, BRS Fed Mfr Code 77250 . . . .					4	
				(312-0067-00)						
				-----*-----						
-46	540-6647-002	.		POST, Spacing . . . . .					2	
				(ATTACHING PARTS)						
-47	MS35214-13	.		SCREW, Machine, cross recessed pan HD, 4-40 X . . . . .					2	
				5/16 IN. LG, BRS (343-0286-00)						
-48	AN936B4	.		WASHER, Lock, 0.123 ID, 0.255 OD, 0.016 IN. THK, . . . .					2	
				SST (373-8010-00)						
				-----*-----						
-49	540-6646-002	.		POST, Spacing . . . . .					2	
				(ATTACHING PARTS)						
-50	MS35214-14	.		SCREW, Machine, cross recessed pan HD, 4-40 X . . . . .					2	
				3/8 IN. LG, BRS (343-0287-00)						
-51	AN936B4	.		WASHER, Lock, 0.123 ID, 0.255 OD, 0.016 IN. THK, SST . .					2	
				(373-8010-00)						
				-----*-----						



Section II  
Group Assembly Parts List

T.O. 12R2-4-6-4

FIG. & INDEX NO.	PART NO.	DESCRIPTION							UNITS PER ASSY.	USABLE ON CODE
		1	2	3	4	5	6	7		
29-52	540-5364-002	.	BLOCK, Support, gear stop (Used effective RF . . . . .						4	
			Tuner MOD-5 thru MOD-10)							
			(ATTACHING PARTS)							
-53	MS35214-13	.	SCREW, Machine, cross recessed pan HD, 4-40 X . . . . .						8	
			5/16 IN. LG, BRS (343-0286-00)							
-54	AN936B4	.	WASHER, Lock, 0.123 ID, 0.255 OD, 0.016 IN. THK, . . .						8	
			SST (373-8010-00)							
-55	COML	.	SETSCREW, SST, headless, multiple spline drive, . . .						4	
			oval point, 6-40 THD, 1/4 IN. LG overall Fed							
			Mfr Code 08664 (335-0023-00)							
			-----*-----							
-56	506-6925-002	.	TAB, Core adjusting . . . . .						25	
			(ATTACHING PARTS)							
-57	MS35214-13	.	SCREW, Machine, cross recessed pan HD, 4-40 X . . . . .						26	
			5/16 IN. LG, BRS (343-0286-00)							
-58	COML	.	WASHER, Lock, 0.125 ID, 0.187 OD, 0.312 IN. THK, . . .						26	
			SST Fed Mfr Code 78189 (310-3340-00)							
-59	506-5906-003	.	WASHER, Flat, 0.120 ID, 0.250 OD, 0.015 IN. THK, . . .						26	
			SST							
-59.1	544-2591-002	.	COVER, Coil (Used effective serial No. 6558, Contract . .						1	
			AF33(600)36629)							
			-----*-----							
-60	506-6926-002	.	CORE, Adjustable tuning . . . . .						25	
			(ATTACHING PARTS)							
-61	502-6005-002	.	SPRING, Locking . . . . .						25	
			-----*-----							
-62	506-7023-003	.	GEAR, Linear, 96 pitch . . . . .						4	
			(ATTACHING PARTS)							
-63	COML	.	NUT, Lock, 4-40, BRS Fed Mfr Code 77250 (333-0349-00)						4	
-64	506-6946-002	.	WASHER, Curved, 0.125 ID, 0.250 OD, 0.046 IN. THK, . .						4	
			BE COP							
-65	506-5906-003	.	WASHER, Flat, 0.120 ID, 0.250 OD, 0.015 IN. THK, SST . .						8	
			-----*-----							
-66	506-6983-003	.	RACK, Tuning . . . . .						1	
-67	506-6942-002	.	BRACKET, Angle, rack . . . . .						2	
			(ATTACHING PARTS)							
-68	MS35214-13	.	SCREW, Machine, cross recessed pan HD, 4-40 X . . .						12	
			5/16 IN. LG, BRS (343-0286-00)							
-69	AN936B4	.	WASHER, Lock, 0.123 ID, 0.255 OD, 0.016 IN. THK, . .						12	
			SST (373-8010-00)							
			-----*-----							
-70	506-6943-002	.	BAR, Rack, 5 coil . . . . .						1	
-71	506-6944-002	.	BAR, Rack, 4 coil . . . . .						2	
-72	506-6995-003	.	TUNING UNIT, RF, 12.25 to 24.5 MC (See figure 30) .						1	
-73	506-6994-003	.	TUNING UNIT, RF, 5.25 to 10.5 MC (See figure 31) .						1	
-74	506-6991-003	.	TUNING UNIT, RF, 2.00 to 3.75 MC (See figure 32) .						1	
-75	506-6992-003	.	TUNING UNIT, RF, 5.25 to 10.5 MC (See figure 33) .						1	
-76	506-6990-003	.	TUNING UNIT, RF, 2.00 to 3.75 MC (See figure 34) .						1	
-77	506-6993-003	.	TUNING UNIT, RF, 5.25 to 10.5 MC (See figure 35) .						1	
-78	506-6989-003	.	TUNING UNIT, RF, 2.00 to 3.75 MC (See figure 36) .						1	
-79	506-6987-003	.	TUNING UNIT, RF, 1.75 to 3.5 MC (See figure 37) . .						1	
-80	506-6988-003	.	TUNING UNIT, RF, 2.00 to 3.75 MC (See figure 38) . .						1	
-81	506-7033-004	.	NETWORK, RC (See figure 39) . . . . .						1	
-82	506-6998-003	.	TUNING UNIT, RF, 7.25 to 14.25 MC (See figure 40) .						1	
-83	506-7002-003	.	TUNING UNIT, RF, 7.25 to 14.25 MC (See figure 41) .						1	
-84	506-6999-003	.	TUNING UNIT, RF, 14.25 to 25 MC (See figure 42) . .						1	
-85	506-6997-003	.	TUNING UNIT, RF, 3.75 to 7.25 MC (See figure 43) . .						1	

FIG. & INDEX NO.	PART NO.	DESCRIPTION							UNITS PER ASSY.	USABLE ON CODE
		1	2	3	4	5	6	7		
29-86	506-7003-003	.	.	TUNING UNIT, RF, 14.25 to 25 MC (See figure 44)	.	.			1	
-87	506-6996-003	.	.	TUNING UNIT, RF, 2.00 to 3.75 MC (See figure 45)	.	.			1	
-88	506-7001-003	.	.	TUNING UNIT, RF, 3.75 to 7.25 MC (See figure 46)	.	.			1	
-89	506-7000-003	.	.	TUNING UNIT, RF, 2.00 to 3.75 MC (See figure 47)	.	.			1	
-90	506-7006-003	.	.	TUNING UNIT, RF, 7.25 to 14.25 MC (See figure 48)	.	.			1	
-91	506-7010-003	.	.	TUNING UNIT, RF, 7.25 to 14.25 MC (See figure 49)	.	.			1	
-92	506-7007-003	.	.	TUNING UNIT, RF, 14.25 to 25 MC (See figure 50)	.	.			1	
-93	506-7011-003	.	.	TUNING UNIT, RF, 14.25 to 25 MC (See figure 51)	.	.			1	
-94	506-7005-003	.	.	TUNING UNIT, RF, 3.75 to 7.25 MC (See figure 52)	.	.			1	
-95	506-7009-003	.	.	TUNING UNIT, RF, 3.75 to 7.25 MC (See figure 53)	.	.			1	
-96	506-7004-003	.	.	TUNING UNIT, RF, 2.00 to 3.75 MC (See figure 54)	.	.			1	
-97	506-7008-003	.	.	TUNING UNIT, RF, 2.00 to 3.75 MC (See figure 55)	.	.			1	
				(ATTACHING PARTS)						
-97.1	AN340B4	.	.	NUT, HEX, 4-40, BRS (313-0039-00)	.	.			52	
-97.2	AN936B4	.	.	WASHER, Lock, 0.123 ID, 0.255 OD, 0.016 IN. THK, SST (373-8010-00)	.	.			52	
				-----*-----						
-98	506-9069-004	.	.	PLATE, Coil, tuner	.	.			1	
				(ATTACHING PARTS)						
-99	MS35214-13	.	.	SCREW, Machine, cross recessed pan HD, 4-40 X 5/16 IN. LG, BRS (343-0286-00)	.	.			7	
-100	AN936B4	.	.	WASHER, Lock, 0.123 ID, 0.255 OD, 0.016 IN. THK, SST (373-8010-00)	.	.			7	
				-----*-----						
-101	2104-4	.	.	TERMINAL, Lug, PH BRZ Fed Mfr Code 78189 (304-6910-00)	.	.			1	
				(ATTACHING PARTS)						
-102	AN340B4	.	.	NUT, HEX, 4-40, BRS (313-0039-00)	.	.			1	
-103	MS35214-13	.	.	SCREW, Machine, cross recessed pan HD, 4-40 X 5/16 IN. LG, BRS (343-0286-00)	.	.			1	
-104	AN936B4	.	.	WASHER, Lock, 0.123 ID, 0.255 OD, 0.016 IN. THK, SST (373-8010-00)	.	.			1	
				-----*-----						
-105	142	.	.	TERMINAL, Lug, BRS Fed Mfr Code 79963 (304-6300-00)	.	.			2	
				(ATTACHING PARTS)						
-106	AN340B4	.	.	NUT, HEX, 4-40, BRS (313-0039-00)	.	.			2	
-107	MS35214-12	.	.	SCREW, Machine, cross recessed pan HD, 4-40 X 1/4 IN. LG, BRS (343-0285-00)	.	.			2	
-108	AN936B4	.	.	WASHER, Lock, 0.123 ID, 0.255 OD, 0.016 IN. THK, SST (373-8010-00)	.	.			2	
				-----*-----						
-109	540-5116-002	.	.	SHIELD, Antenna coil	.	.			1	
				(ATTACHING PARTS)						
-110	MS35214-12	.	.	SCREW, Machine, cross recessed pan HD, 4-40 X 1/4 IN. LG, BRS (343-0285-00)	.	.			2	
				-----*-----						
-111	506-6950-002	.	.	SPRING, Extension, torsion type	.	.			2	
-112	506-6947-002	.	.	CARRIAGE, Linear gear	.	.			4	
				(ATTACHING PARTS)						
-113	5133-12-S	.	.	RING, Retaining, STL Fed Mfr Code 79136 (340-0087-00)	.	.			4	
				-----*-----						
-114	506-6939-002	.	.	BLOCK, MTG	.	.			7	
				(ATTACHING PARTS)						
-115	MS35214-14	.	.	SCREW, Machine, cross recessed pan HD, 4-40 X 3/8 IN. LG, BRS (343-0287-00)	.	.			7	

Section II  
Group Assembly Parts List

T.O. 12R2-4-6-4

FIG. & INDEX NO.	PART NO.	DESCRIPTION							UNITS PER ASSY.	USABLE ON CODE
		1	2	3	4	5	6	7		
29-116	AN936B4	.	WASHER, Lock, 0.123 ID, 0.255 OD, 0.016 IN. THK, . . . . .						7	
			SST (373-8010-00)							
			-----*-----							
-117	506-6938-002	.	BLOCK, MTG . . . . .						4	
			(ATTACHING PARTS)							
-118	MS35214-14	.	SCREW, Machine, cross recessed pan HD, 4-40 X . . . . .						4	
			3/8 IN. LG, BRS (343-0287-00)							
-119	AN936B4	.	WASHER, Lock, 0.123 ID, 0.255 OD, 0.016 IN. THK, . . . . .						4	
			SST (373-8010-00)							
			-----*-----							
-120	506-6937-002	.	BLOCK, MTG . . . . .						4	
			(ATTACHING PARTS)							
-121	MS35214-14	.	SCREW, Machine, cross recessed pan HD, 4-40 X . . . . .						4	
			3/8 IN. LG, BRS (343-0287-00)							
-122	AN936B4	.	WASHER, Lock, 0.123 ID, 0.255 OD, 0.016 IN. THK, . . . . .						4	
			SST (373-8010-00)							
			-----*-----							
-123	506-6924-002	.	CONNECTOR, Female, single, riveted . . . . .						1	
			(ATTACHING PARTS)							
-124	MS35214-13	.	SCREW, Machine, cross recessed pan HD, 4-40 X . . . . .						2	
			5/16 IN. LG, BRS (343-0286-00)							
-125	COML	.	NUT, HEX, 4-40, STL Fed Mfr Code 77250 . . . . .						2	
			(313-0112-00)							
			-----*-----							
-126	506-6951-002	.	SHAFT, Rack drive . . . . .						2	
			(ATTACHING PARTS)							
-127	5133-18-S	.	RING, Retaining, STL Fed Mfr Code 79136 . . . . .						2	
			(340-0090-00)							
-128	506-5910-003	.	WASHER, Flat, 0.197 ID, 0.375 OD, 0.015 IN. THK, SST . . . . .						2	
			-----*-----							
-129	506-4383-002	.	NUT, Sleeve, BRS, bright alloy plated, 4-40 THD, . . . . .						1	
			5/16 IN. LG, 1/4 IN. HEX stepped to 3/16 IN.							
			DIA X 5/16 IN. LG overall							
			(ATTACHING PARTS)							
-130	MS35214-13	.	SCREW, Machine, cross recessed pan HD, 4-40 X . . . . .						1	
			5/16 IN. LG, BRS (343-0286-00)							
-131	AN936B4	.	WASHER, Lock, 0.123 ID, 0.255 OD, 0.016 IN. THK, . . . . .						1	
			SST (373-8010-00)							
			-----*-----							
-132	F-342	.	BEARING, Sleeve, for plate Fed Mfr Code 90646 . . . . .						8	
			(309-5540-00)							
-133	F-310	.	BEARING, Sleeve, BRZ Fed Mfr Code 90646 . . . . .						1	
-134	F-310-3	.	BEARING, Sleeve, BRZ Fed Mfr Code 90646 (309-0120-00)						1	
-135	506-6977-003	.	PLATE, Front, tuner . . . . .						1	
-136	506-6979-003	.	PLATE, Back, tuner . . . . .						1	

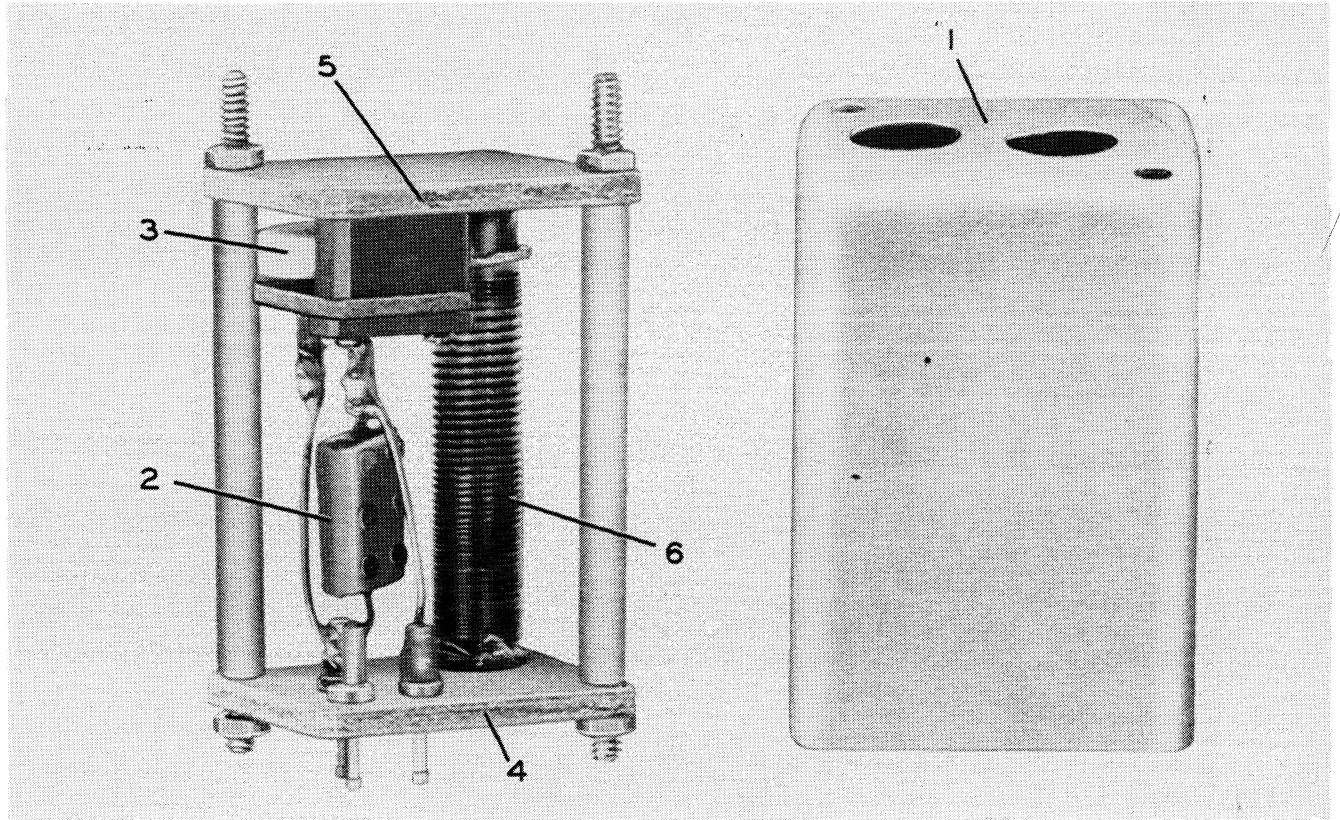


Figure 30. RF Tuning Unit

FIG. & INDEX NO.	PART NO.	DESCRIPTION							UNITS PER ASSY.	USABLE ON CODE
		1	2	3	4	5	6	7		
30-	506-6995-003	TUNING UNIT, RF, 12.25 to 24.5 MC (See figure 29-72 . . . . . for next higher ASSY)							REF	
-1	506-1564-002	. SHIELD, Coil . . . . .							1	
-2	CC21TJ100D	. CAPACITOR, Fixed, ceramic dielectric, 10 UUF ±1/2 . . . . . UUF, 500 V (JAN-C-20A) (916-1298-00)							1	
-3	917-1073-00	. CAPACITOR, Variable, ceramic dielectric, 5.0 to 37.5 . . . . . UUF, 350 V (ATTACHING PARTS)							1	
	MS35198-16	. SCREW, Machine, cross recessed FH, 4-40 X 1/2 IN. . . . . LG, BRS, NI PL (342-0156-00)							2	
	506-1546-002	. SLEEVE, Capacitor spacing . . . . .							1	
	506-1544-002	. PLATE, Capacitor MTG . . . . .							1	
		-----*-----								
-4	506-6932-002	. INSULATOR, Bottom . . . . .							1	
-5	506-6969-002	. INSULATOR, Top . . . . . (ATTACHING PARTS)							1	
	506-9077-002	. SCREW, Coil MTG, BRS, 3/16 IN. HEX X 2-9/64 IN. . . . . LG, 4-40 THD EA end							2	
	506-9078-002	. SLEEVE, Spacing . . . . .							2	
		-----*-----								
-6	506-7022-003	. COIL, IF, 18.5 turns . . . . .							1	

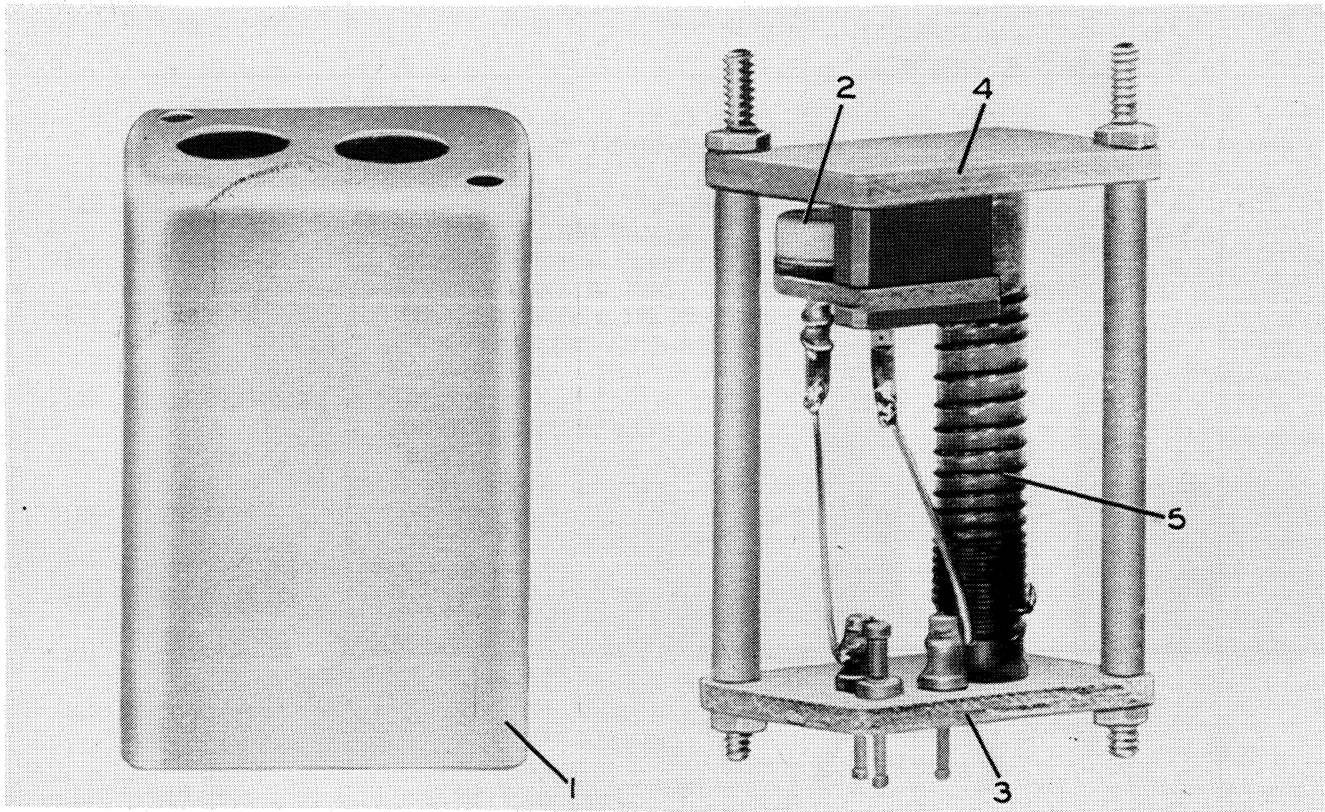


Figure 31. RF Tuning Unit

FIG. & INDEX NO.	PART NO.	DESCRIPTION							UNITS PER ASSY.	USABLE ON CODE
		1	2	3	4	5	6	7		
31-	506-6994-003	TUNING UNIT, RF, 5.25 to 10.5 MC (See figure 29-73 . . . . .							REF	
-1	506-1564-002	. SHIELD, Coil . . . . .							1	
-2	917-1073-00	. CAPACITOR, Variable, ceramic dielectric, 5.0 to 37.5 . . . . .							1	
		UUF, 350 V (ATTACHING PARTS)								
	MS35198-16	. SCREW, Machine, cross recessed FH, 4-40 X 1/2 IN. . . . .							2	
		LG, BRS, NI PL (342-0156-00)								
	506-1546-002	. SLEEVE, Capacitor spacing . . . . .							1	
	506-1544-002	. PLATE, Capacitor MTG . . . . .							1	
		-----*-----								
-3	506-6932-002	. INSULATOR, Bottom . . . . .							1	
-4	506-6969-002	. INSULATOR, Top . . . . .							1	
		(ATTACHING PARTS)								
	506-9077-002	. SCREW, Coil MTG, BRS, 3/16 IN. HEX X 2-9/64 IN. LG, . . . . .							2	
		4-40 THD EA end								
	506-9078-002	. SLEEVE, Spacing . . . . .							2	
		-----*-----								
-5	506-7022-003	. COIL, IF, 18.5 turns . . . . .							1	

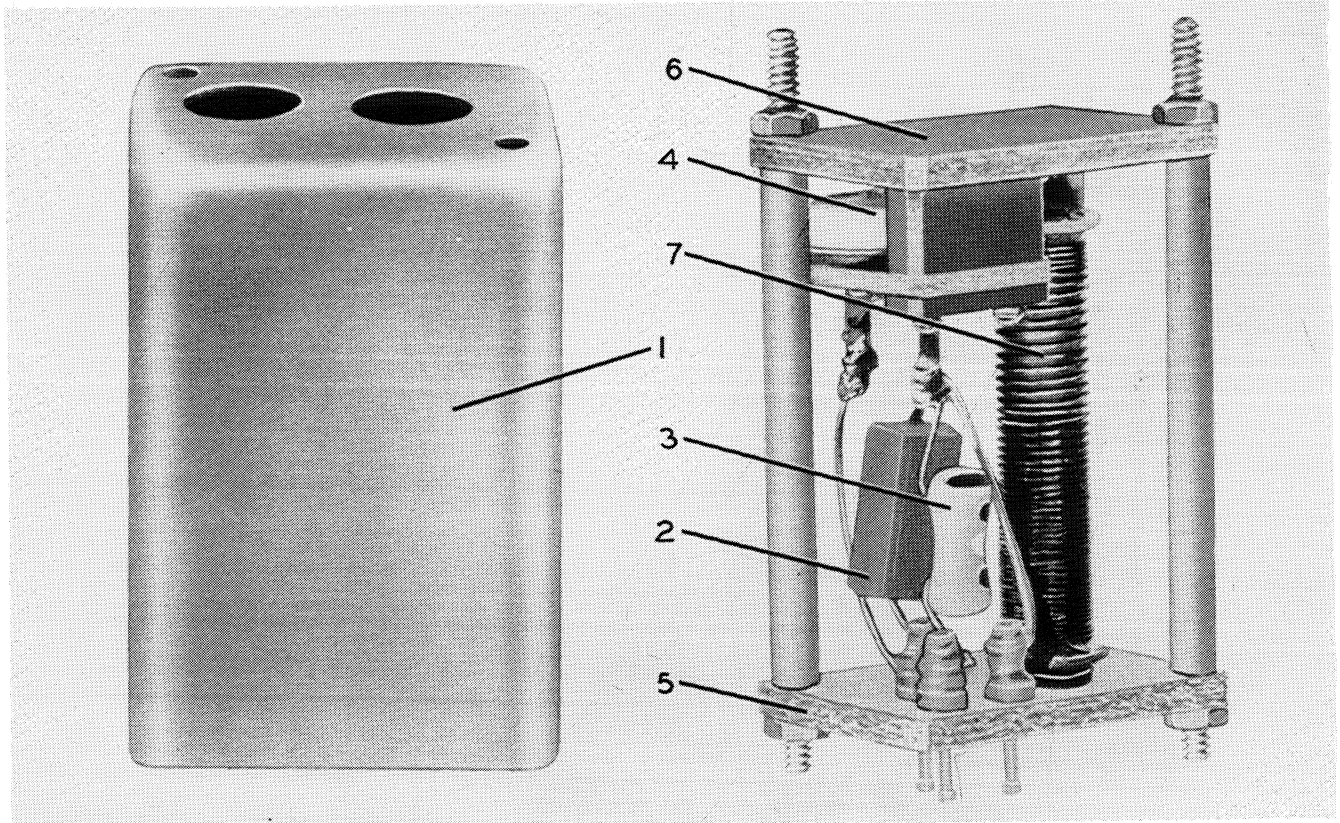


Figure 32. RF Tuning Unit

FIG. & INDEX NO.	PART NO.	DESCRIPTION							UNITS PER ASSY.	USABLE ON CODE
		1	2	3	4	5	6	7		
32-	506-6991-003	TUNING UNIT, RF, 2.00 to 3.75 MC (See figure 29-74 . . . . .							REF	
-1	506-1564-002	. SHIELD, Coil . . . . .							1	
-2	VCM15E241G	. CAPACITOR, Fixed, mica dielectric, 240 UUF ±2%, . . . . .							1	
-3	CC22CH120J	. CAPACITOR, Fixed, ceramic, 12 UUF ±5%, 500 V . . . . .							1	
-4	917-1075-00	. CAPACITOR, Variable, ceramic dielectric, 8 UUF to . . . . .							1	
	MS35198-16	75 UUF, 350 V (ATTACHING PARTS)								
	506-1546-002	. SCREW, Machine, cross recessed FH, 4-40 X 1/2 IN. . . . .							2	
	506-1544-002	LG, BRS, NI PL (342-0156-00)								
		. SLEEVE, Capacitor spacing . . . . .							1	
		. PLATE, Capacitor MTG . . . . .							1	
		-----*-----								
-5	506-6932-002	. INSULATOR, Bottom . . . . .							1	
-6	506-6969-002	. INSULATOR, Top . . . . .							1	
		(ATTACHING PARTS)								
	506-9077-002	. SCREW, Coil MTG, BRS, 3/16 IN. HEX X 2-9/64 IN. . . . .							2	
	506-9078-002	LG, 4-40 THD EA end								
		. SLEEVE, Spacing . . . . .							2	
		-----*-----								
-7	506-7015-003	. COIL, IF, 55 turns . . . . .							1	

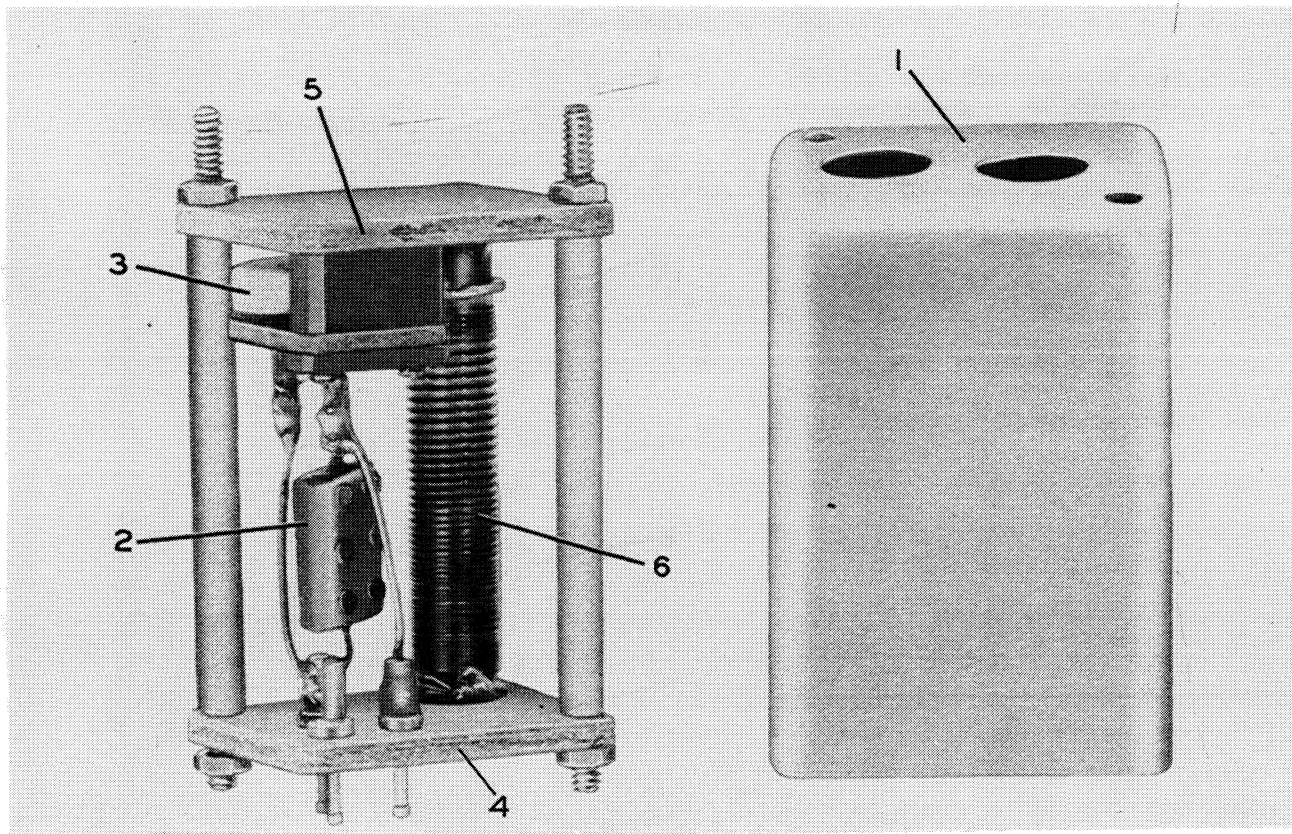


Figure 33. RF Tuning Unit

FIG. & INDEX NO.	PART NO.	DESCRIPTION	UNITS PER ASSY.	USABLE ON CODE
33-	506-6992-003	TUNING UNIT, RF, 5.25 to 10.5 MC (See figure 29-75 . . . . . for next higher ASSY)	REF	
-1	506-1564-002	. SHIELD, Coil . . . . .	1	
-2	VCM15E620J	. CAPACITOR, Fixed, mica dielectric, 62 UUF ±5%, . . . . . 500 V Fed Mfr Code 72136 (912-0479-00)	1	
-3	917-1074-00	. CAPACITOR, Variable, ceramic dielectric, 5.0 to 45.0 . . . . . UUF, 350 V (ATTACHING PARTS)	1	
	MS35198-16	. SCREW, Machine, cross recessed FH, 4-40 X 1/2 IN. . . . . LG, BRS, NI PL (342-0156-00)	2	
	506-1546-002	. SLEEVE, Capacitor spacing . . . . .	1	
	506-1544-002	. PLATE, Capacitor MTG . . . . . -----*	1	
-4	506-6932-002	. INSULATOR, Bottom . . . . .	1	
-5	506-6969-002	. INSULATOR, Top . . . . . (ATTACHING PARTS)	1	
	506-9077-002	. SCREW, Coil MTG, BRS, 3/16 IN. HEX X 2-9/64 IN. LG, . . . . . 4-40 THD EA end	2	
	506-9078-002	. SLEEVE, Spacing . . . . . -----*	2	
-6	506-7021-003	. COIL, IF, 30 turns . . . . .	1	

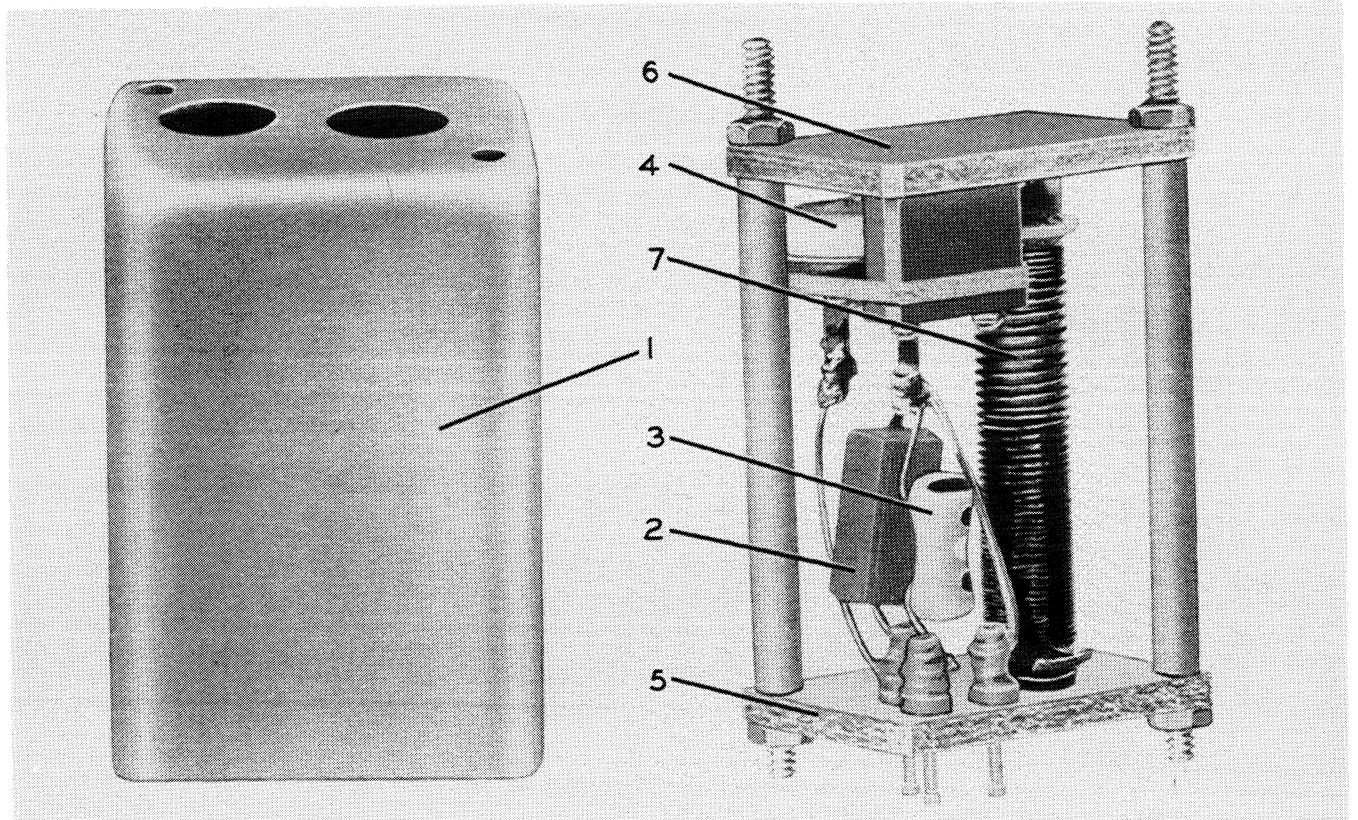


Figure 34. RF Tuning Unit

FIG. & INDEX NO.	PART NO.	DESCRIPTION							UNITS PER ASSY.	USABLE ON CODE
		1	2	3	4	5	6	7		
34-	506-6990-003	TUNING UNIT, RF, 2.00 to 3.75 MC (See figure 29-76 . . . . . for next higher ASSY)							REF	
-1	506-1564-002	. SHIELD, Coil . . . . .							1	
-2	VCM15E241G	. CAPACITOR, Fixed, mica dielectric, 240 UUF ±2%, 500 V . Fed Mfr Code 72136 (912-0520-00)							1	
-3	CC22CH040D	. CAPACITOR, Fixed, ceramic dielectric, 4 UUF ±1/2 . . . . . UUF, 500 V (MIL-C-20B) (928-0114-00)							1	
-4	917-1075-00	. CAPACITOR, Variable, ceramic dielectric, 8 to 75 UUF, . . . . . 350 V							1	
		(ATTACHING PARTS)								
	MS35198-16	. SCREW, Machine, cross recessed FH, 4-40 X 1/2 IN. LG, * . . . . BRS, NI PL (342-0156-00)							2	
	506-1546-002	. SLEEVE, Capacitor spacing . . . . .							1	
	506-1544-002	. PLATE, Capacitor MTG . . . . .							1	
		-----*								
-5	506-6932-002	. INSULATOR, Bottom . . . . .							1	
-6	506-6969-002	. INSULATOR, Top . . . . .							1	
		(ATTACHING PARTS)								
	506-9077-002	. SCREW, Coil MTG, BRS, 3/16 IN. HEX X 2-9/64 IN. LG, . . . . . 4-40 THD EA end							2	
	506-9078-002	. SLEEVE, Spacing . . . . .							2	
		-----*								
-7	506-7015-003	. COIL, IF, 55 turns . . . . .							1	



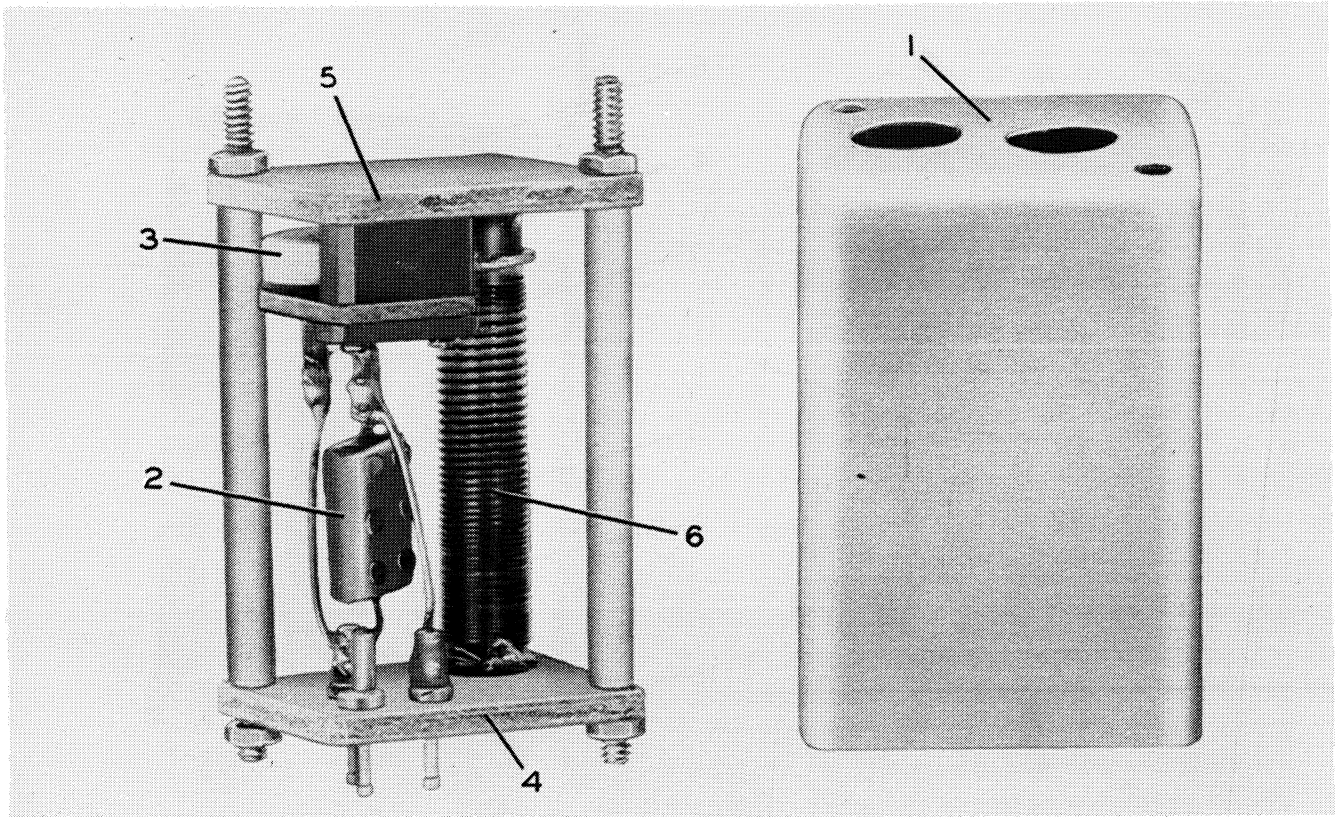


Figure 35. RF Tuning Unit

FIG. & INDEX NO.	PART NO.	DESCRIPTION	UNITS PER ASSY.	USABLE ON CODE
35-	506-6993-003	TUNING UNIT, RF, 5.25 to 10.5 MC (See figure 29-77 . . . . . for next higher ASSY)	REF	
-1	506-1564-002	. SHIELD, Coil . . . . .	1	
-2	VCM15E750G	. CAPACITOR, Fixed, mica dielectric, 75 UUF ±2%, 500 V . . . Fed Mfr Code 72136 (912-0484-00)	1	
-3	917-1074-00	. CAPACITOR, Variable, ceramic dielectric, 5.0 to 45.0 UUF. 350 V (ATTACHING PARTS)	1	
	MS35198-16	. SCREW, Machine, cross recessed FH, 4-40 X 1/2 IN. . . LG, BRS, NI PL (342-0156-00)	2	
	506-1546-002	. SLEEVE, Capacitor spacing . . . . .	1	
	506-1544-002	. PLATE, Capacitor MTG . . . . . -----*-----	1	
-4	506-6932-002	. INSULATOR, Bottom . . . . .	1	
-5	506-6969-002	. INSULATOR, Top . . . . . (ATTACHING PARTS)	1	
	506-9077-002	. SCREW, Coil MTG, BRS, 3/16 IN. HEX X 2-9/64 IN. . . . LG, 4-24 THD EA end	2	
	506-9078-002	. SLEEVE, Spacing . . . . . -----*-----	2	
-6	506-7021-003	. COIL, RF, 30 turns . . . . .	1	

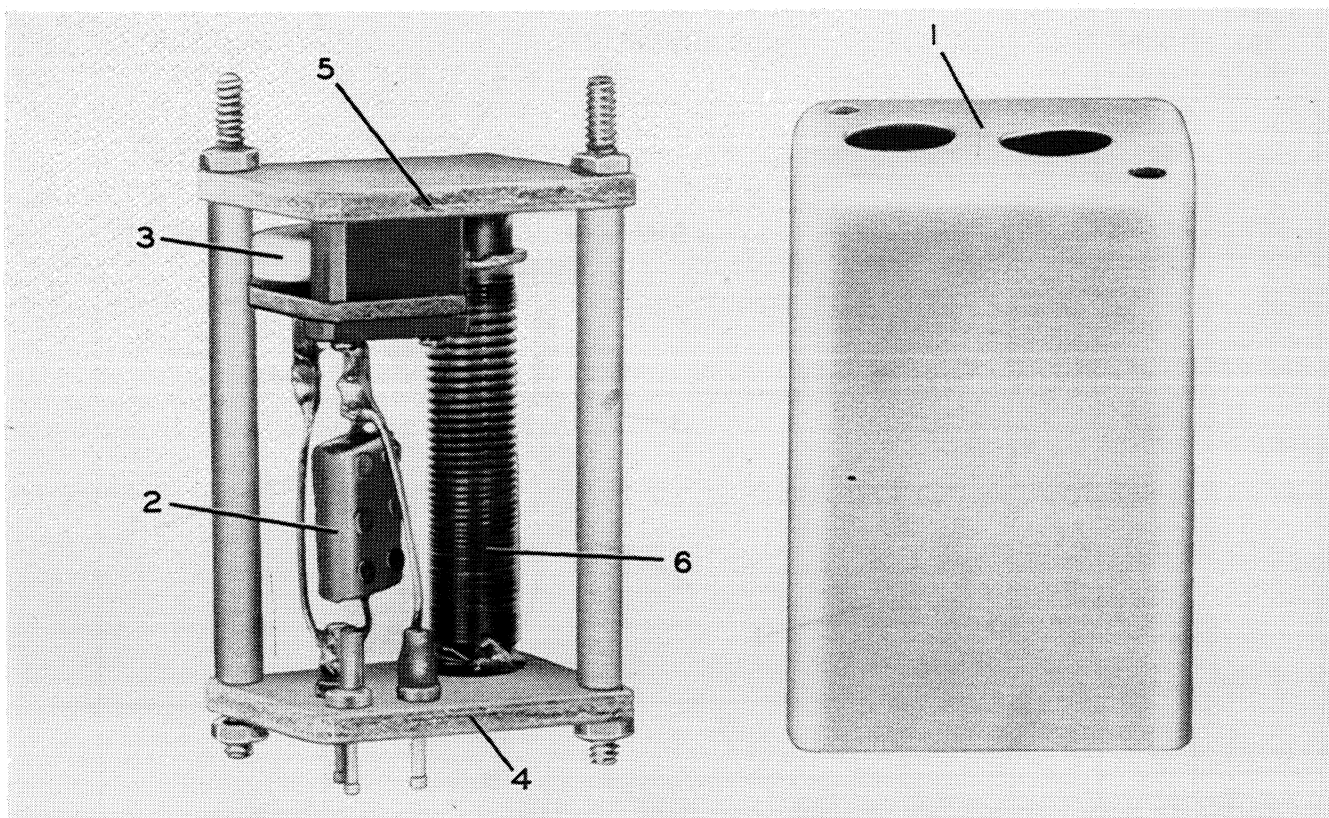


Figure 36. RF Tuning Unit

FIG. & INDEX NO.	PART NO.	DESCRIPTION	UNITS PER ASSY.	USABLE ON CODE
36-	506-6989-003	TUNING UNIT, RF, 2.00 to 3.75 MC (See figure 29-78 . . . . . for next higher ASSY)	REF	
-1	506-1564-002	. SHIELD, Coil . . . . .	1	
-2	VCM15E221G	. CAPACITOR, Fixed, mica dielectric, 220 UUF ±2%, . . . . . 500 V Fed Mfr Code 72136 (912-0517-00)	1	
-3	917-1075-00	. CAPACITOR, Variable, ceramic dielectric, 8.0 to 75.0 . . . UUF, 350 V (ATTACHING PARTS)	1	
	MS35198-16	. SCREW, Machine, cross recessed FH, 4-40 X 1/2 IN. LG, . . BRS, NI PL (342-0156-00)	2	
	506-1546-002	. SLEEVE, Capacitor spacing . . . . .	1	
	506-1544-002	. PLATE, Capacitor MTG . . . . . -----*	1	
-4	506-6932-002	. INSULATOR, Bottom . . . . .	1	
-5	506-6969-002	. INSULATOR, Top . . . . . (ATTACHING PARTS)	1	
	506-9077-002	. SCREW, Coil MTG, BRS, 3/16 IN. HEX X 2-9/64 IN. . . . . LG, 4-40 THD EA end	1	
	506-9078-002	. SLEEVE, Spacing . . . . . -----*	1	
-6	506-7015-003	. COIL, IF, 55 turns . . . . .	1	

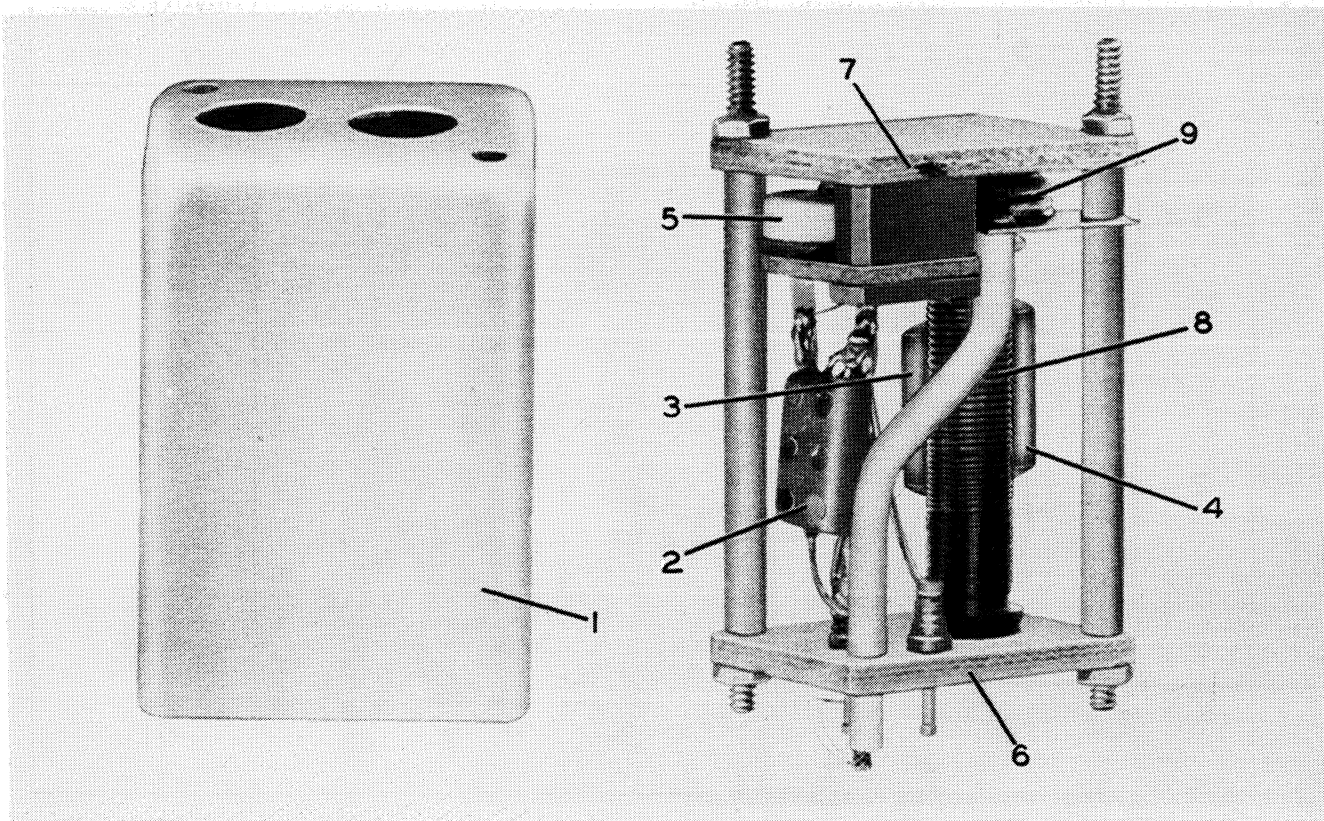


Figure 37. RF Tuning Unit

FIG. & INDEX NO.	PART NO.	DESCRIPTION	UNITS PER ASSY.							USABLE ON CODE	
			1	2	3	4	5	6	7		
37-	506-6987-003	TUNING UNIT, RF, 1.75 to 3.5 MC (See figure 29-79 . . . . . for next higher ASSY)								REF	
-1	506-1564-002	. SHIELD, Coil . . . . .								1	
-2	VCM15E181G	. CAPACITOR, Fixed, mica dielectric, 180 UUF ±2%, . . . . . 500 V Fed Mfr Code 72136 (912-0511-00)								1	
-3	CC22UJ150J	. CAPACITOR, Fixed, ceramic dielectric, 15 UUF ±5% . . . . . 500 V (MIL-C-20B) (928-0420-00)								1	
-4	CC22CH100D	. CAPACITOR, Fixed, ceramic dielectric, 10 UUF . . . . . ±1/2 UUF, 500 V (MIL-C-20B) (928-0138-00)								1	
-5	917-1073-00	. CAPACITOR, Variable, ceramic dielectric, 5.0 to . . . . . 37.5 UUF, 350 V (ATTACHING PARTS)								1	
	MS35198-16	. SCREW, Machine, cross recessed FH, 4-40 X 1/2 IN. . . . . LG, BRS, NI PL (342-0156-00)								2	
	506-1546-002	. SLEEVE, Capacitor spacing . . . . .								1	
	506-1544-002	. PLATE, Capacitor MTG . . . . . -----*-----								1	
-6	506-6933-002	. INSULATOR, Bottom . . . . .								1	
-7	506-6969-002	. INSULATOR, Top . . . . . (ATTACHING PARTS)								1	
	506-9077-002	. SCREW, Coil MTG, BRS, 3/16 IN. HEX X 2-9/64 IN. LG, . . . . . 4-40 THD EA end								2	

FIG. & INDEX NO.	PART NO.	DESCRIPTION	UNITS PER ASSY.	USABLE ON CODE		
					1	2
37-	506-9078-002	. SLEEVE, Spacing . . . . .	2			
-8	506-7014-003	. COIL, IF, 65 turns . . . . .	1			
-9	506-7012-003	. COIL, IF, SEC, 25 turns . . . . .	1			

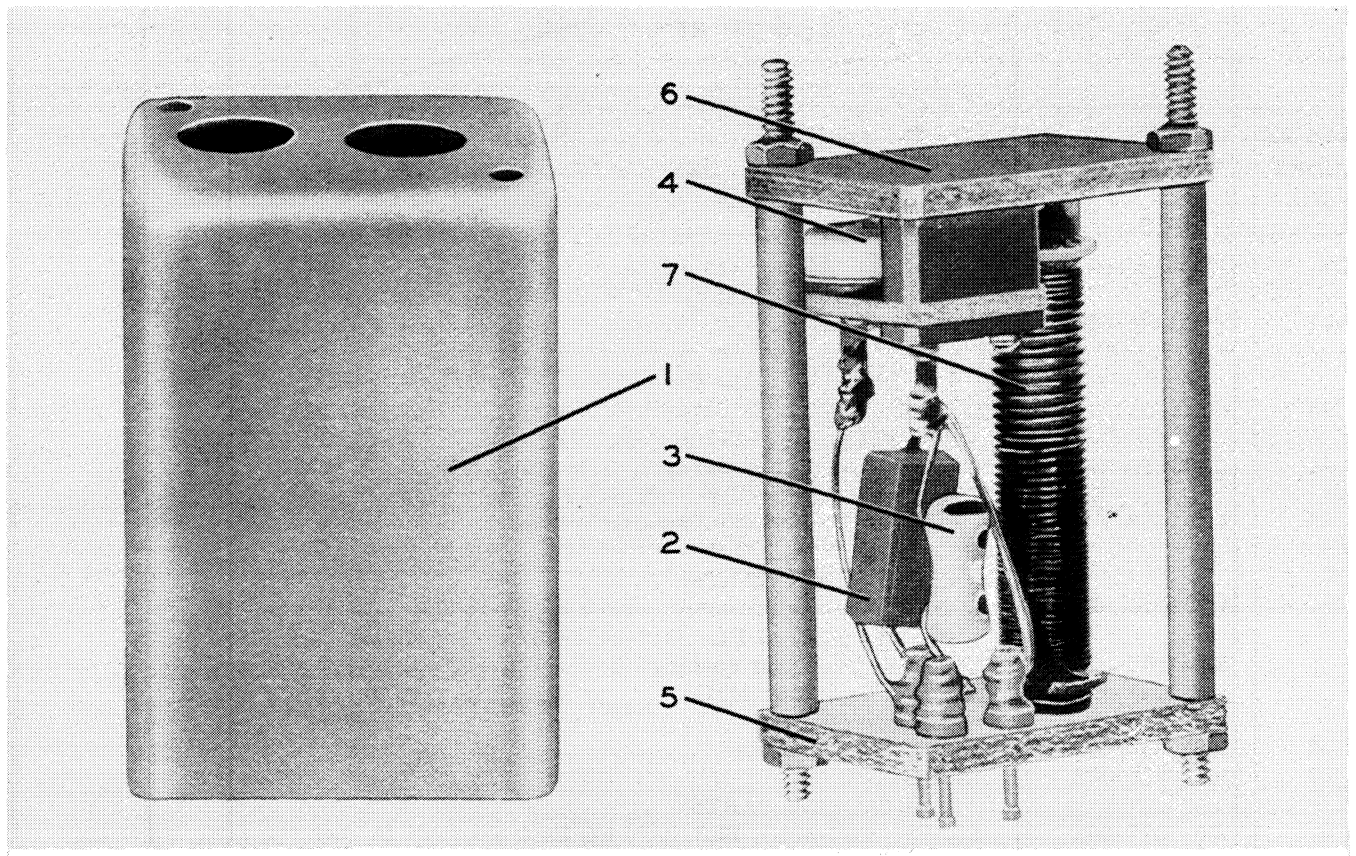


Figure 38. RF Tuning Unit

FIG. & INDEX NO.	PART NO.	DESCRIPTION							UNITS PER ASSY.	USABLE ON CODE
		1	2	3	4	5	6	7		
38-	506-6988-003	TUNING UNIT, RF, 2.00 to 3.75 MC (See figure 29-80 . . . . . for next higher assembly)							REF	
-1	506-1564-002	. SHIELD, Coil . . . . .							1	
-2	VCM15E221G	. CAPACITOR, Fixed, mica dielectric, 220 UUF ±2%, . . . . . 500 V Fed Mfr Code 72136 (912-0517-00)							1	
-3	CC20CH040D	. CAPACITOR, Fixed, ceramic dielectric, 4 UUF ±1/2 . . . . . UUF, 500 V (MIL-C-20B) (928-0114-00)							1	
-4	917-1075-00	. CAPACITOR, Variable, ceramic dielectric, 8.0 to 75.0 . . . . . UUF, 350 V (ATTACHING PARTS)							1	
	MS35198-16	. SCREW, Machine, cross recessed FH, 4-40 X 1/2 IN. . . . . LG, BRS, NI PL (342-0156-00)							2	
	506-1546-002	. SLEEVE, Capacitor spacing . . . . .							1	
	506-1544-002	. PLATE, Capacitor MTG . . . . . -----*-----							1	
-5	506-6932-002	. INSULATOR, Bottom . . . . .							1	
-6	506-6969-002	. INSULATOR, Top . . . . . (ATTACHING PARTS)							1	
	506-9077-002	. SCREW, Coil MTG, BRS, 3/16 IN. HEX X 2-9/64 IN. . . . . LG, 4-40 THD EA end							2	
	506-9078-002	. SLEEVE, Spacing . . . . . -----*-----							2	
-7	506-7015-003	. COIL, IF, 55 turns . . . . .							1	

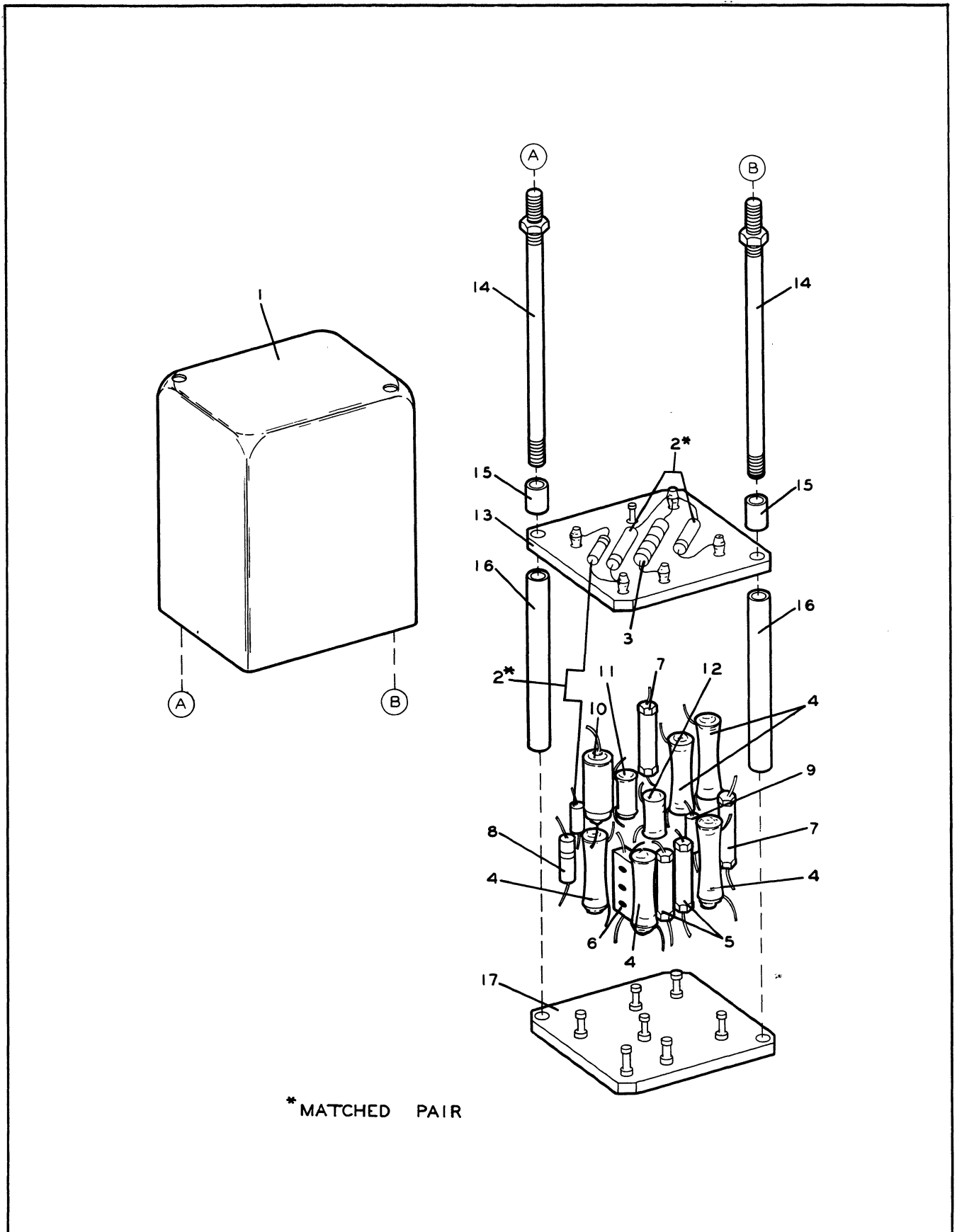


Figure 39. RC Network

Section II  
Group Assembly Parts List

T.O. 12R2-4-6-4

FIG. & INDEX NO.	PART NO.	DESCRIPTION							UNITS PER ASSY.	USABLE ON CODE
		1	2	3	4	5	6	7		
39-	506-7033-004	NETWORK, RC (See figure 29-81 for next higher ASSY) . . .							REF	
-1	506-6975-002	. SHIELD, Network . . . . .							1	
-2	MP3016	. SEMICONDUCTOR DEVICE SET, One matched pair . . . . . germanium crystal diodes, type 1N198 Fed Mfr Code 82577 (353-0185-00)							2	
-3	RC20GF561K	. RESISTOR, Fixed, COMP, 560 ohm $\pm 10\%$ , 1/2 W . . . . . (MIL-R-11) (745-1342-00)							1	
-4	913-0996-00	. CAPACITOR, Fixed, ceramic dielectric, 3000 UUF . . . . . $+100-20\%$ , 500 V							5	
-5	RN20X1001F	. RESISTOR, Fixed, film, 1000 ohm $\pm 1\%$ , 1/2 W . . . . . (MIL-R-10509) (705-2131-00)							2	
-6	VCM15E510J	. CAPACITOR, Fixed, mica dielectric, 51 UUF $\pm 5\%$ , . . . . . 500 V Fed Mfr Code 72136 (912-0473-00)							1	
-7	RN20X2672F	. RESISTOR, Fixed, film, 26,700 ohm $\pm 1\%$ , 1/2 W . . . . . (MIL-R-10509) (705-2165-00)							2	
-8	RC20GF104K	. RESISTOR, Fixed, COMP, 0.10 MEG $\pm 10\%$ , 1/2 W . . . . . (MIL-R-11) (745-1436-00)							1	
-9	1N198	. SEMICONDUCTOR DEVICE, Diode, germanium . . . . . (MIL-E-1B) (353-0160-00)							1	
-10	C-0047109	. COIL, RF, 500 UH Fed Mfr Code 95265 (240-0073-00) . .							1	
-11	CC20CH050C	. CAPACITOR, Fixed, ceramic dielectric, 5 UUF $\pm 1/4$ UUF, . . . . . 500 V (JAN-C-20A) (916-0117-00) (Used effective RF Tuner No MOD, MOD-1, MOD-2)							1	
-11	CC22UJ050D	. CAPACITOR, Fixed, ceramic dielectric, 5.0 UUF . . . . . $\pm 1/2$ UUF, 500 V (MIL-C-20B) (928-0393-00) (Used effective RF Tuner MOD-3 thru MOD-10)							1	
-12	CC20CK010C	. CAPACITOR, Fixed, ceramic dielectric, 1.0 UUF . . . . . $\pm 1/4$ UUF, 500 V (JAN-C-20A) (916-0070-00) (Used effective RF Tuner No MOD, MOD-1, MOD-2, MOD-3, MOD-4, MOD-5)							1	
-12	CC20CK1R5C	. CAPACITOR, Fixed, ceramic dielectric, 1.5 UUF . . . . . $\pm 1/4$ UUF, 500 V (JAN-C-20A) (916-0072-00) (Used effective RF Tuner MOD-6 thru MOD-10)							1	
-13	506-6929-002	. INSULATOR, Top . . . . . (ATTACHING PARTS)							1	
-14	506-9077-002	. SCREW, Coil MTG, BRS, 3/16 IN. HEX X 2-9/64 IN. . . . . LG, 4-40 THD EA end							2	
-15	506-9074-002	. SLEEVE, Spacing . . . . .							2	
-16	506-9075-002	. SLEEVE, Spacing . . . . .							2	
-17	506-6930-002	. INSULATOR, Bottom . . . . .							1	

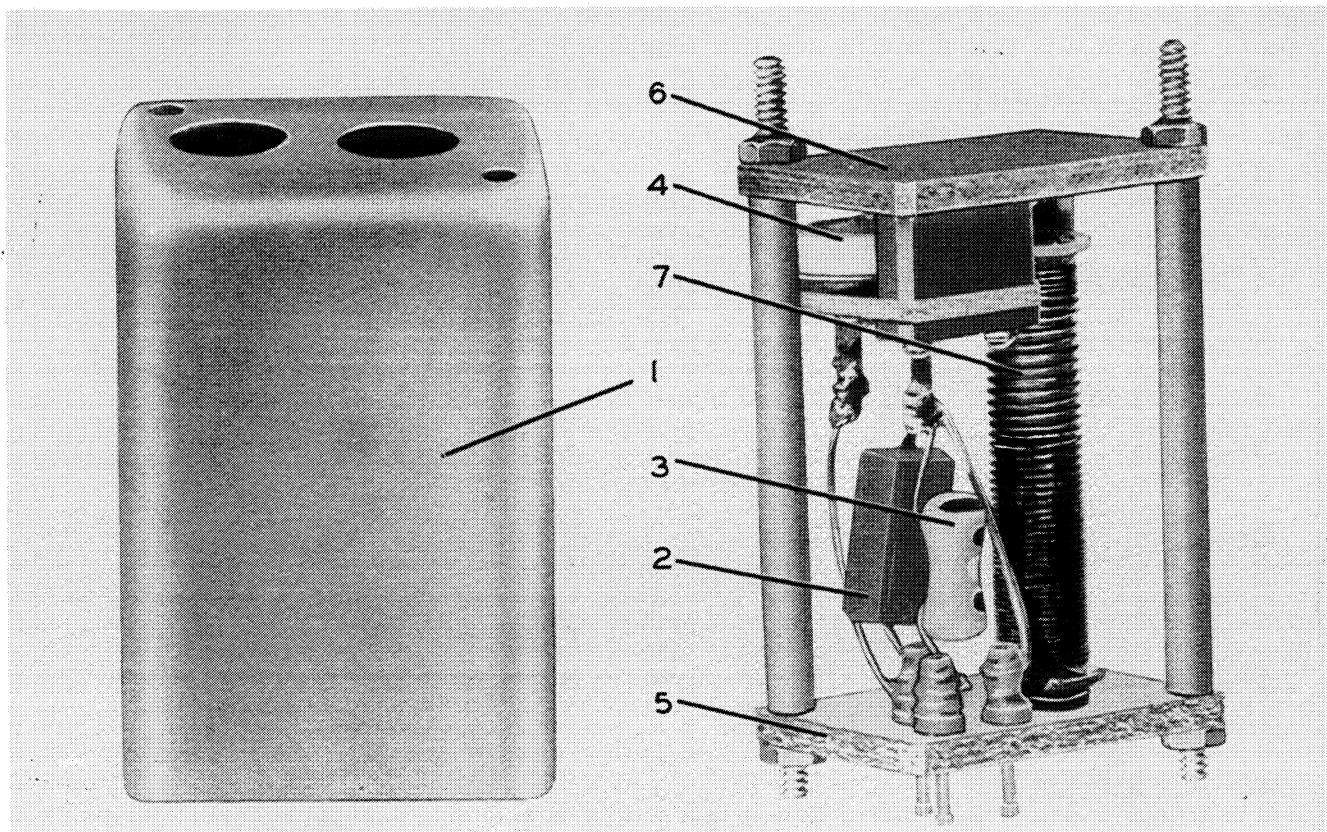


Figure 40. RF Tuning Unit

FIG. & INDEX NO.	PART NO.	DESCRIPTION	UNITS PER ASSY.	USABLE ON CODE		
					1	2
40-	506-6998-003	TUNING UNIT, RF, 7.25 to 14.25 MC (See figure 29-82 . . . . . for next higher ASSY)	REF			
-1	506-1564-002	. SHIELD, Coil . . . . .	1			
-2	VCM15E240J	. CAPACITOR, Fixed, mica dielectric, 24 UUF ±5%, . . . . . 500 V Fed Mfr Code 72136 (912-0449-00)	1			
-3	CC22CH100D	. CAPACITOR, Fixed, ceramic dielectric, 10 UUF . . . . . ±1/2 UUF, 500 V (MIL-C-20B) (928-0138-00)	1			
-4	917-1074-00	. CAPACITOR, Variable, ceramic dielectric, 5.0 to 45.0 . . . UUF, 350 V (ATTACHING PARTS)	1			
	MS35198-16	. SCREW, Machine, cross recessed FH, 4-40 X 1/2 IN. LG, . . BRS, NI PL (342-0156-00)	2			
	506-1546-002	. SLEEVE, Capacitor spacing . . . . .	1			
	506-1544-002	. PLATE, Capacitor MTG . . . . . -----*	1			
-5	506-6932-002	. INSULATOR, Bottom . . . . .	1			
-6	506-6969-002	. INSULATOR, Top . . . . . (ATTACHING PARTS)	1			
	506-9077-002	. SCREW, Coil MTG, BRS, 3/16 IN. HEX X 2-9/64 IN. . . . . LG, 4-40 THD EA end	2			
	506-9078-002	. SLEEVE, Spacing . . . . . -----*	2			
-7	506-7017-003	. COIL, IF, 26 turns . . . . .	1			



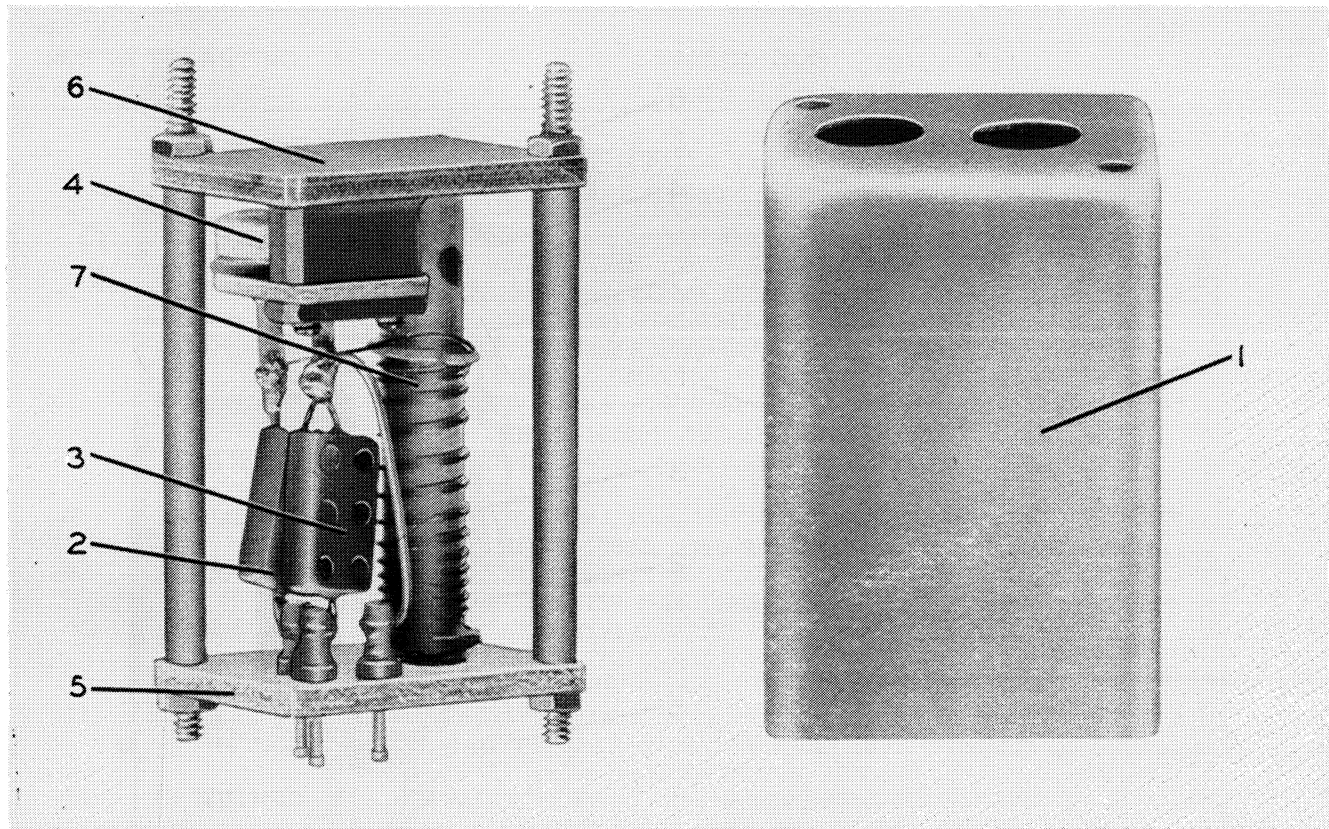


Figure 41. RF Tuning Unit

FIG. & INDEX NO.	PART NO.	DESCRIPTION							UNITS PER ASSY.	USABLE ON CODE
		1	2	3	4	5	6	7		
41-	506-7002-003	TUNING UNIT, RF, 7.25 to 14.25 MC (See figure 29-83. . . .							REF	
-1	506-1564-002	. SHIELD, Coil . . . . .							1	
-2	VCM15E151G	. CAPACITOR, Fixed, mica dielectric, 150 UUF ±2%, . . . . . 500 V Fed Mfr Code 72136 (912-0505-00)							1	
-3	CC22UJ100D	. CAPACITOR, Fixed, ceramic dielectric, 10 UUF . . . . . ±1/2 UUF, 500 V (MIL-C-20B) (928-0413-00)							1	
-4	917-1074-00	. CAPACITOR, Variable, ceramic dielectric, 5.0 to . . . . . 45.0 UUF, 350 V (ATTACHING PARTS)							1	
	MS35198-16	. SCREW, Machine, cross recessed FH, 4-40 X 1/2 IN. . . . . LG, BRS, NI PL (342-0156-00)							2	
	506-1546-002	. SLEEVE, Capacitor spacing . . . . .							1	
	506-1544-002	. PLATE, Capacitor MTG . . . . . -----*							1	
-5	506-6932-002	. INSULATOR, Bottom . . . . .							1	
-6	506-6969-002	. INSULATOR, Top . . . . . (ATTACHING PARTS)							1	
	506-9077-002	. SCREW, Coil MTG, BRS, 3/16 IN. HEX X 2-9/64 IN. . . . . LG, 4-40 THD EA end							2	
	506-9078-002	. SLEEVE, Spacing . . . . . -----*							2	
-7	506-7017-003	. COIL, IF, 26 turns . . . . .							1	

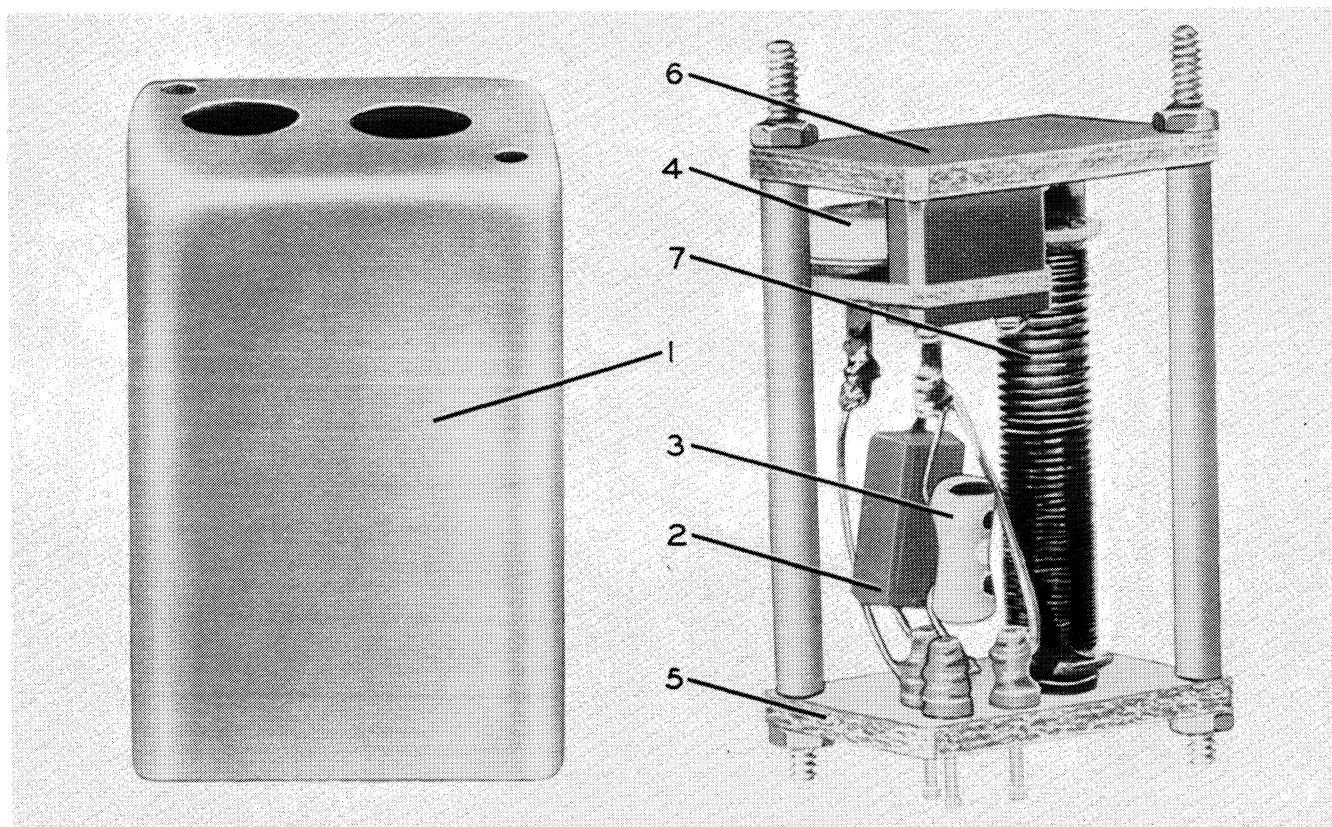


Figure 42. RF Tuning Unit

FIG. & INDEX NO.	PART NO.	DESCRIPTION	UNITS PER ASSY.							USABLE ON CODE	
			1	2	3	4	5	6	7		
42-	506-6999-003	TUNING UNIT, RF, 14.25 to 25 MC (See figure 29-84 . . . . . for next higher ASSY)								REF	
-1	506-1564-002	. SHIELD, Coil . . . . .								1	
-2	VCM15E510G	. CAPACITOR, Fixed, mica dielectric, 51 UUF ±2%, . . . . . 500 V Fed Mfr Code 72136 (912-0472-00)								1	
-3	CC22CH040D	. CAPACITOR, Fixed, ceramic dielectric, 4 UUF ±1/2 . . . . . UUF, 500 V (MIL-C-20B) (928-0114-00)								1	
-4	917-1074-00	. CAPACITOR, Variable, ceramic dielectric, 5.0 to 45.0 . . . . . UUF, 350 V								1	
	MS35198-16	(ATTACHING PARTS) . SCREW, Machine, cross recessed FH, 4-40 X 1/2 IN. . . . . LG, BRS, NI PL (342-0156-00)								2	
	506-1546-002	. SLEEVE, Capacitor spacing . . . . .								1	
	506-1544-002	. PLATE, Capacitor MTG . . . . . -----*								1	
-5	506-6932-002	. INSULATOR, Bottom . . . . .								1	
-6	506-6969-002	. INSULATOR, Top . . . . . (ATTACHING PARTS)								1	
	506-9077-002	. SCREW, Coil MTG, BRS, 3/16 IN. HEX X 2-9/64 IN. . . . . LG, 4-40 THD EA end								2	
	506-9078-002	. SLEEVE, Spacing . . . . . -----*								2	
-7	506-7019-003	. COIL, IF, 12 turns . . . . .								1	

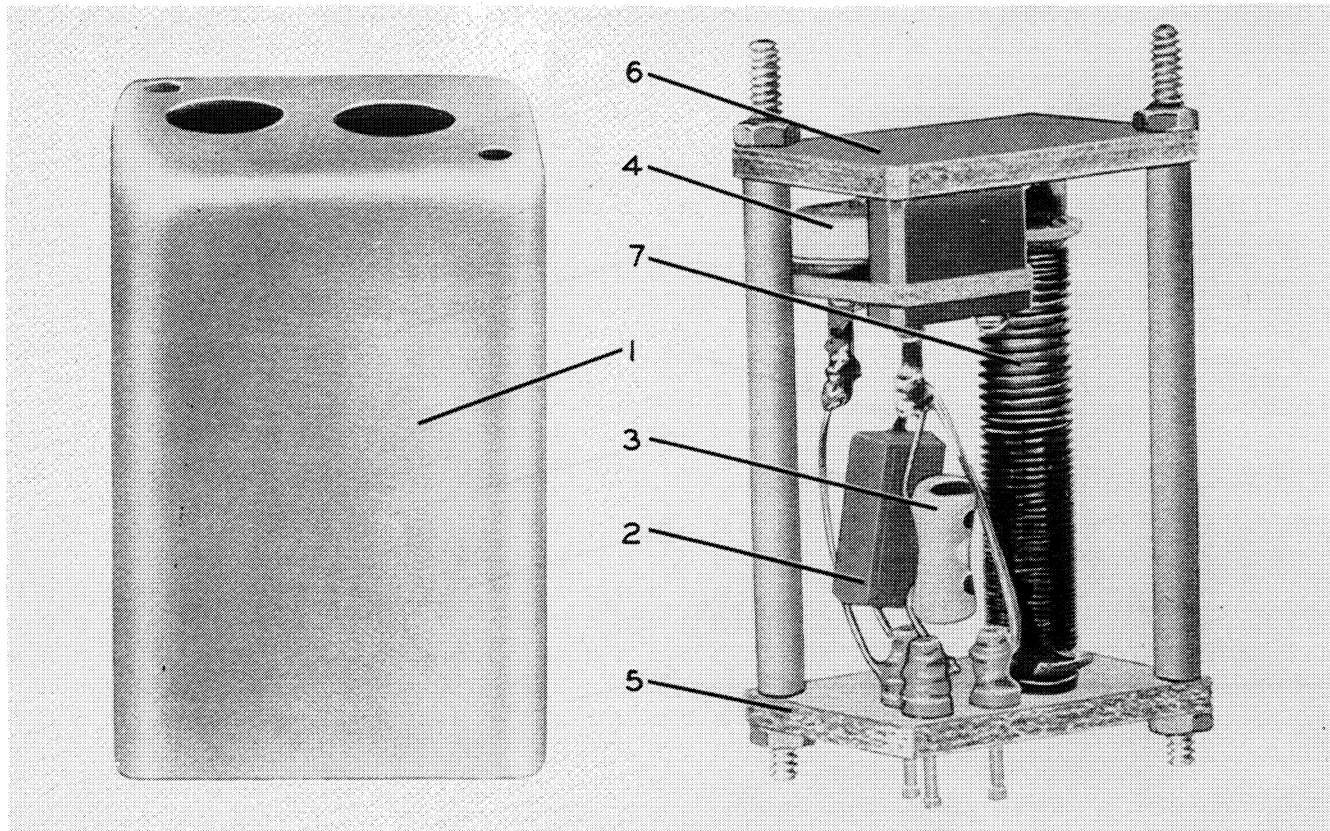


Figure 43. RF Tuning Unit

FIG. & INDEX NO.	PART NO.	DESCRIPTION	UNITS PER ASSY.							USABLE ON CODE	
			1	2	3	4	5	6	7		
43-	506-6997-003	TUNING UNIT, RF, 3.75 to 7.25 MC (See figure 29-85 . . . . . for next higher ASSY)								REF	
-1	506-1564-002	. SHIELD, Coil . . . . .								1	
-2	CC33HG101J	. CAPACITOR, Fixed, ceramic dielectric, 100 UUF . . . . . ±5%, 500 V (MIL-C-20B) (928-7256-00)								1	
-3	CC22CH120J	. CAPACITOR, Fixed, ceramic dielectric, 12 UUF ±5%, 500 V (MIL-C-20B) (928-0141-00)								1	
-4	917-1074-00	. CAPACITOR, Variable, ceramic dielectric, 5.0 to 45.0 UUF, 350 V (ATTACHING PARTS)								1	
	MS35198-16	. SCREW, Machine, cross recessed FH, 4-40 X 1/2 IN. . . . . LG, BRS, NI PL (342-0156-00)								2	
	506-1546-002	. SLEEVE, Capacitor spacing . . . . .								1	
	506-1544-002	. PLATE, Capacitor MTG . . . . . -----*-----								1	
-5	506-6932-002	. INSULATOR, Bottom . . . . .								1	
-6	506-6969-002	. INSULATOR, Top . . . . . (ATTACHING PARTS)								1	
	506-9077-002	. SCREW, Coil MTG, BRS, 3/16 IN. HEX X 2-9/64 IN. . . . . LG, 4-40 THD EA end								2	
	506-9078-002	. SLEEVE, Spacing . . . . . -----*-----								2	
-7	506-7016-003	. COIL, IF, 38 turns . . . . .								1	

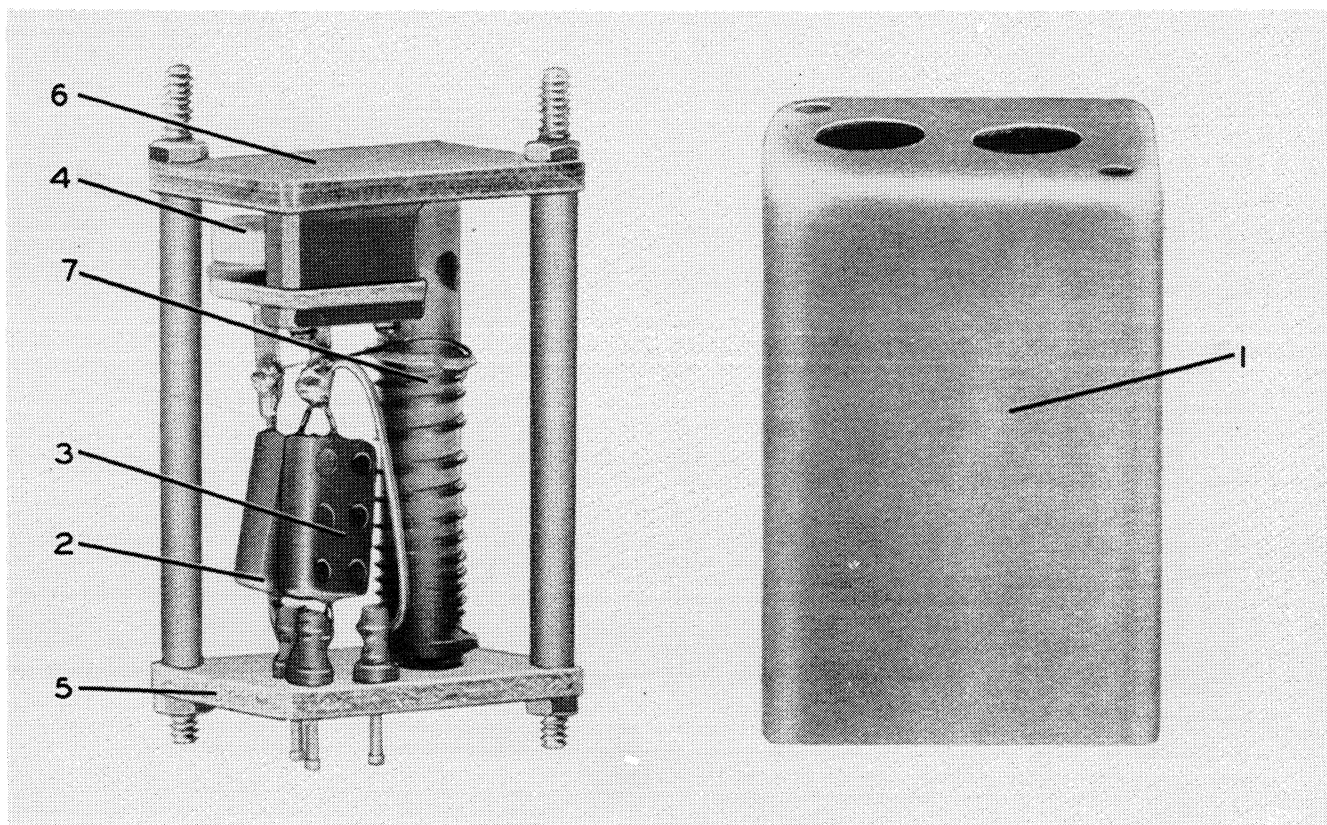


Figure 44. RF Tuning Unit

FIG. & INDEX NO.	PART NO.	DESCRIPTION							UNITS PER ASSY.	USABLE ON CODE
		1	2	3	4	5	6	7		
44-	506-7003-003	TUNING UNIT, RF, 14.25 MC (See figure 29-86 for . . . . . next higher ASSY)							REF	
-1	506-1564-002	.							1	
-2	VCM15C100J	.							1	
-3	VCM15E560G	.							1	
-4	917-1074-00	.							1	
	MS35198-16	.							2	
	506-1546-002	.							1	
	506-1544-002	.							1	
		-----*								
-5	506-6932-002	.							1	
-6	506-6969-002	.							1	
		(ATTACHING PARTS)								
	506-9077-002	.							2	
	506-9078-002	.							2	
		-----*								
-7	506-7019-003	.							1	

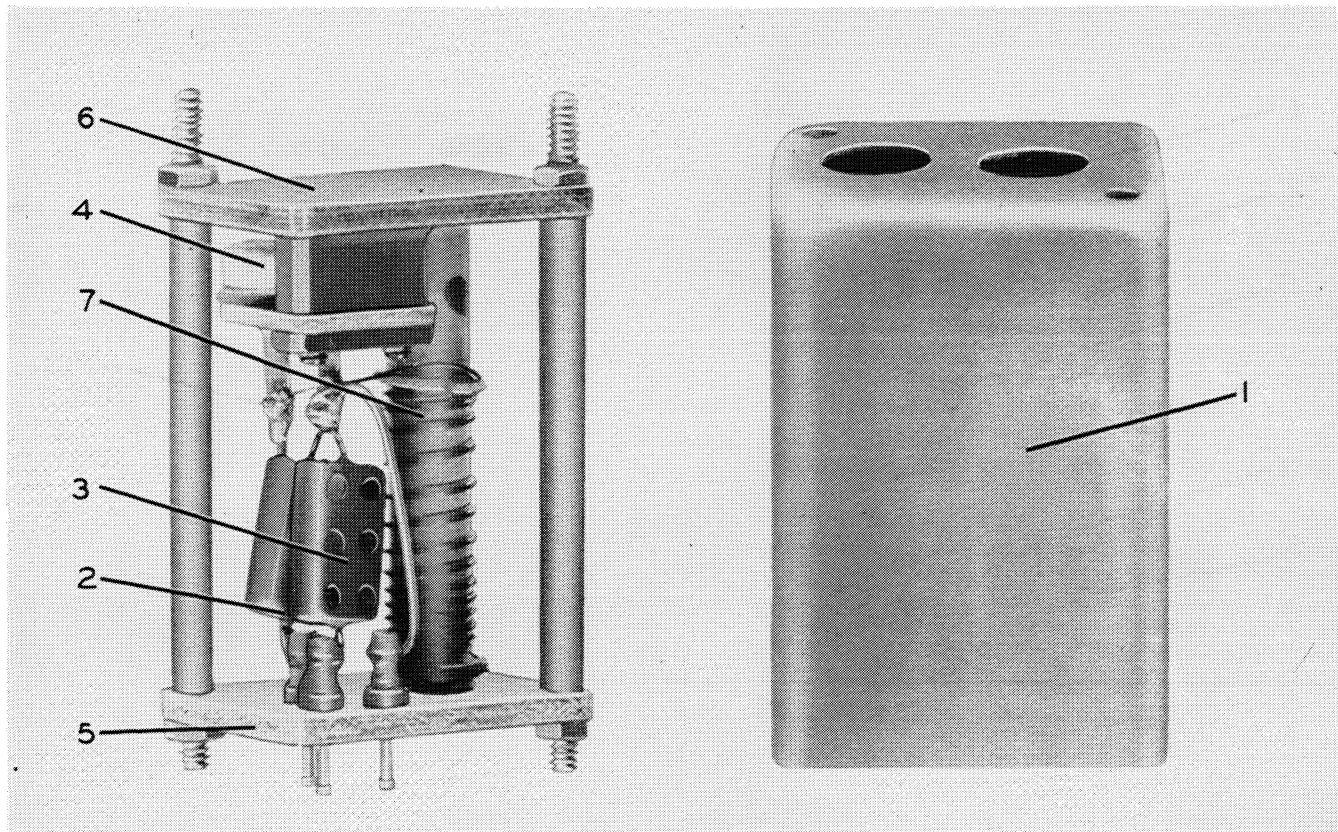


Figure 45. RF Tuning Unit

FIG. & INDEX NO.	PART NO.	DESCRIPTION							UNITS PER ASSY	USABLE ON CODE
		1	2	3	4	5	6	7		
45-	506-6996-003	TUNING UNIT, RF, 2.00 to 3.75 MC (See figure 29-87 for . . . next higher ASSY)							REF	
-1	506-1564-002	. SHIELD, Coil . . . . .							1	
-2	VCM15E181G	. CAPACITOR, Fixed, mica dielectric, 180 UUF ±2%, 500 V . . . . . Fed Mfr Code 72136 (912-0511-00)							1	
-3	VCM15E360G	. CAPACITOR, Fixed, mica dielectric, 36 UUF ±2%, 500 V . . . . . Fed Mfr Code 72136 (912-0460-00)							1	
-4	917-1075-00	. CAPACITOR, Variable, ceramic dielectric, 8.0 to 75.0 . . . . . UUF, 350 V							1	
		(ATTACHING PARTS)								
	MS35198-16	. SCREW, Machine, cross recessed FH, 4-40 X 1/2 IN. LG, . . . . . BRS, NI PL (342-0156-00)							2	
	506-1546-002	. SLEEVE, Capacitor spacing . . . . .							1	
	506-1544-002	. PLATE, Capacitor MTG . . . . .							1	
		----*----								
-5	506-6932-002	. INSULATOR, Bottom . . . . .							1	
-6	506-6969-002	. INSULATOR, Top . . . . .							1	
		(ATTACHING PARTS)								
	506-9077-002	. SCREW, Coil MTG, BRS, 3/16 IN. HEX X 2-9/64 IN. LG, . . . . . 4-40 THD EA end							2	
	506-9078-002	. SLEEVE, Spacing . . . . .							2	
		----*----								
-7	506-7015-003	. COIL, IF, 55 turns . . . . .							1	

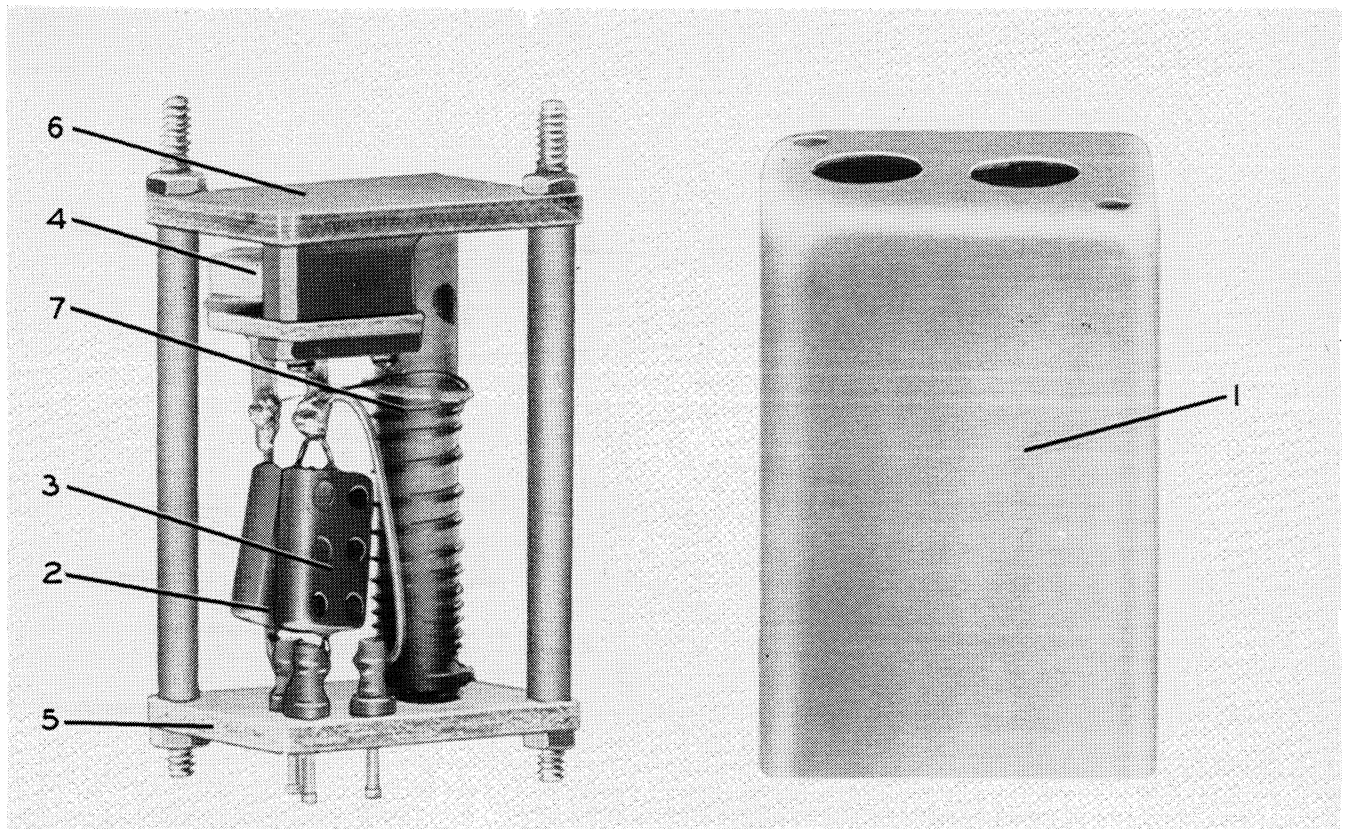


Figure 46. RF Tuning Unit

FIG. & INDEX NO.	PART NO.	DESCRIPTION	1 2 3 4 5 6 7							UNITS PER ASSY	USABLE ON CODE
46-	506-7001-003	TUNING UNIT, RF, 3.75 to 7.25 MC (See figure 29-88 for . . . next higher ASSY)								REF	
-1	506-1564-002	. SHIELD, Coil . . . . .								1	
-2	935-5016-00	. CAPACITOR, Fixed, mica dielectric, 800 UUF ±2%, 300 V . Fed Mfr Code 72136 (935-5016-00)								1	
-3	CC33HG101J	. CAPACITOR, Fixed, ceramic dielectric, 100 UUF ±5%, . . . 500 V (MIL-C-20B) (928-7256-00)								1	
-4	917-1074-00	. CAPACITOR, Variable, ceramic dielectric, 5.0 to 45.0 . . . UUF, 350 V (ATTACHING PARTS)								1	
	MS35198-16	. SCREW, Machine, cross recessed FH, 4-40 X 1/2 IN. LG; . . . BRS, NI PL (342-0156-00)								2	
	506-1546-002	. SLEEVE, Capacitor spacing . . . . .								1	
	506-1544-002	. PLATE, Capacitor MTG . . . . . ----*----								1	
-5	506-6932-002	. INSULATOR, Bottom . . . . .								1	
-6	506-6969-002	. INSULATOR, Top . . . . . (ATTACHING PARTS)								1	
	506-9077-002	. SCREW, Coil MTG, BRS, 3/16 IN. HEX X 2-9/64 IN. LG, . . . 4-40 THD EA end								2	
	506-9078-002	. SLEEVE, Spacing . . . . . ----*----								2	
-7	506-7016-003	. COIL, RF, 38 turns . . . . .								1	

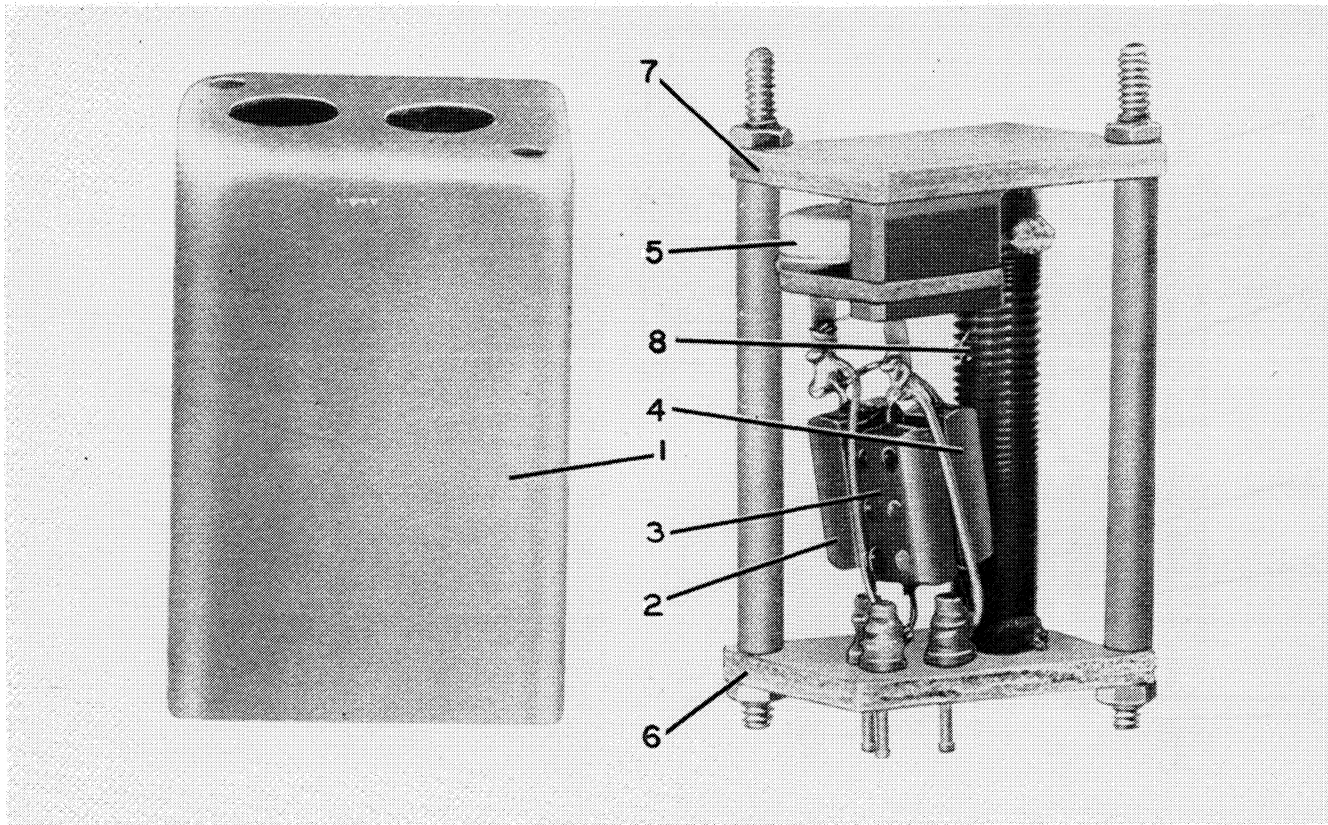


Figure 47. RF Tuning Unit

FIG. & INDEX NO.	PART NO.	DESCRIPTION							UNITS PER ASSY	USABLE ON CODE
		1	2	3	4	5	6	7		
47-	506-7000-003	TUNING UNIT, RF, 2.00 to 3.75 MC (See figure 29-89 for . . . next higher ASSY)							REF	
-1	506-1564-002	. SHIELD, Coil . . . . .							1	
-2	VCM15E181J	. CAPACITOR, Fixed, mica dielectric, 180 UUF ±5%, 500 V . Fed Mfr Code 72136 (912-0512-00)							1	
-3	CM15E511J	. CAPACITOR, Fixed, mica dielectric, 510 UUF ±5%, 300 V . Fed Mfr Code 72136 (912-0545-00)							1	
-4	CM15E270J	. CAPACITOR, Fixed, mica dielectric, 27 UUF ±5%, 500 V . Fed Mfr Code 72136 (912-0452-00)							1	
-5	917-1075-00	. CAPACITOR, Variable, ceramic dielectric, 8.0 to 75.0 . . . UUF, 350 V							1	
		(ATTACHING PARTS)								
	MS35198-16	. SCREW, Machine, cross recessed FH, 4-40 X 1/2 IN. LG. . BRS, NI PL (342-0156-00)							2	
	506-1546-002	. SLEEVE, Capacitor spacing . . . . .							1	
	506-1544-002	. PLATE, Capacitor MTG . . . . .							1	
		----*----								
-6	506-6932-002	. INSULATOR, Bottom . . . . .							1	
-7	506-6969-002	. INSULATOR, Top . . . . .							1	
		(ATTACHING PARTS)								
	506-9077-002	. SCREW, Coil MTG, BRS, 3/16 IN HEX X 2-9/64 IN. LG. . 4-40 THD EA end							2	
	506-9078-002	. SLEEVE, Spacing . . . . .							2	
		----*----								
-8	506-7015-002	. COIL, RF, 55 turns . . . . .							1	

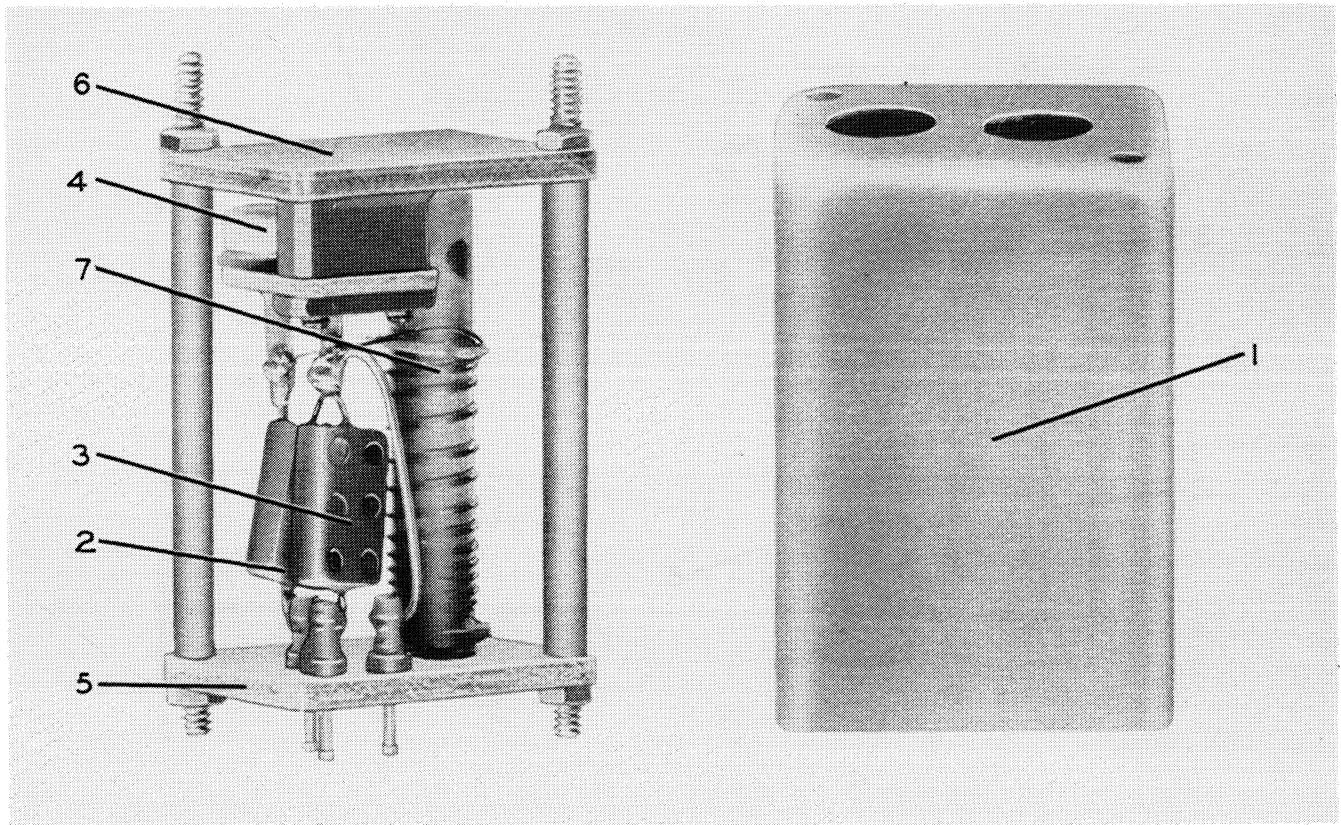


Figure 48. RF Tuning Unit

FIG. & INDEX NO.	PART NO.	DESCRIPTION							UNITS PER ASSY	USABLE ON CODE
		1	2	3	4	5	6	7		
48-	506-7006-003	TUNING UNIT, RF, 7.25 to 14.25 MC (See figure 29-90 for next higher ASSY)							REF	
-1	506-1564-002	. SHIELD, Coil . . . . .							1	
-2	VCM15E181G	. CAPACITOR, Fixed, mica dielectric, 180 UUF ±2%, 500 V . Fed Mfr Code 72136 (912-0511-00)							1	
-3	CC22SH300J	. CAPACITOR, Fixed, ceramic dielectric, 30 UUF ±5%, 500 V (MIL-C-20B) (928-0381-00)							1	
-4	917-1073-00	. CAPACITOR, Variable, ceramic dielectric, 5.0 to 37.5 . . . UUF, 350 V							1	
	MS35198-16	. (ATTACHING PARTS) SCREW, Machine, cross recessed FH, 4-40 X 1/2 IN. . . . LG, BRS, NI PL (342-0156-00)							2	
	506-1546-002	. SLEEVE, Capacitor spacing . . . . .							1	
	506-1544-002	. PLATE, Capacitor MTG . . . . .							1	
		-----*-----								
-5	506-6932-002	. INSULATOR, Bottom . . . . .							1	
-6	506-6969-002	. INSULATOR, Top . . . . .							1	
		. (ATTACHING PARTS)								
	506-9077-002	. SCREW, Coil MTG, BRS, 3/16 IN. HEX X 2-9/64 IN. LG, 4-40 THD EA end							2	
	506-9078-002	. SLEEVE, Spacing . . . . .							2	
		-----*-----								
-7	506-7017-003	. COIL, RF, 26 turns . . . . .							1	



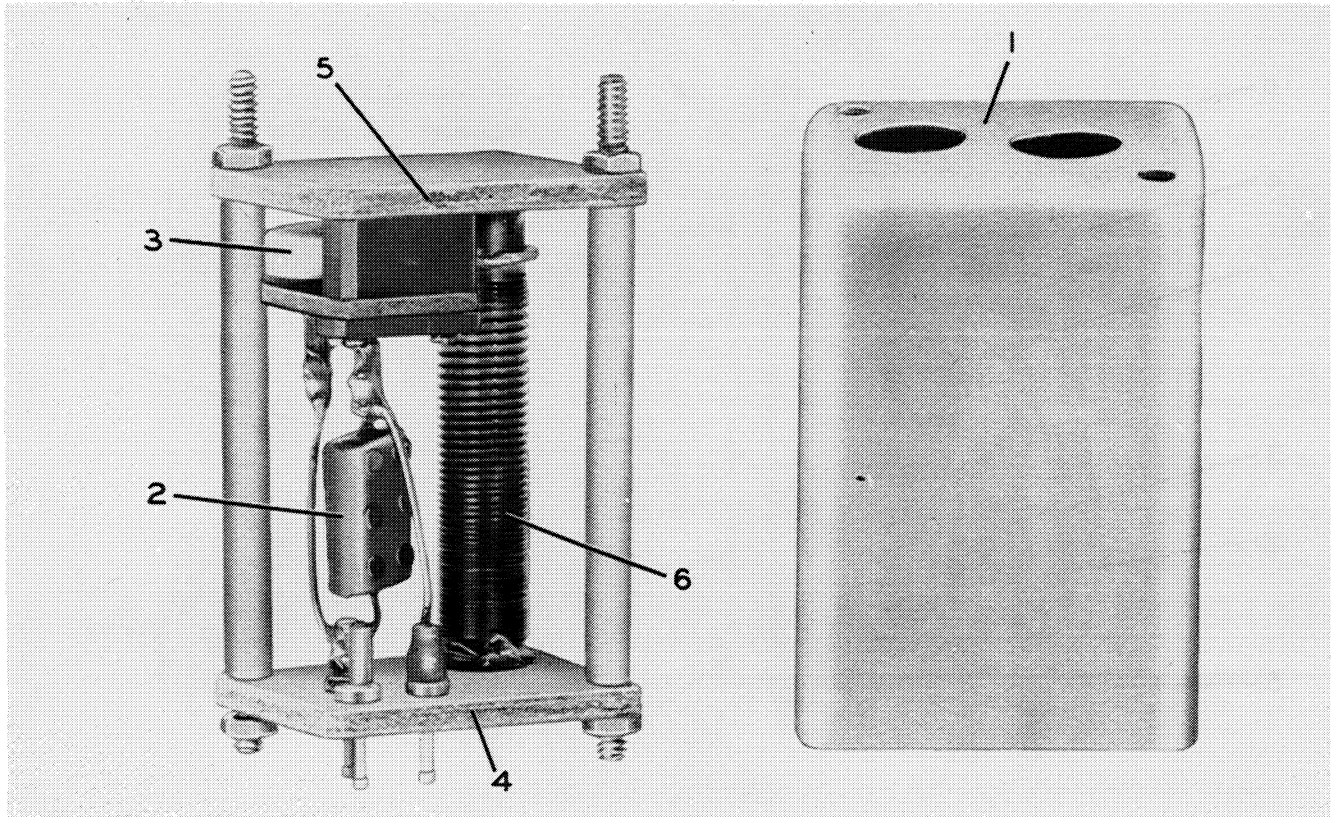


Figure 49. RF Tuning Unit

FIG. & INDEX NO.	PART NO.	DESCRIPTION							UNITS PER ASSY	USABLE ON CODE
		1	2	3	4	5	6	7		
49-	506-7010-003	TUNING UNIT, RF, 7.25 to 14.25 MC (See figure 29-91 for next higher ASSY)							REF	
-1	506-1564-002	.							1	
-2	CC22US100D	.							1	
-3	917-1074-00	.							1	
	MS35198-16	.							2	
	506-1546-002	.							1	
	506-1544-002	.							1	
		-----*								
-4	506-6932-002	.							1	
-5	506-6969-002	.							1	
		(ATTACHING PARTS)								
	506-9077-002	.							2	
	506-9078-002	.							2	
		-----*								
-6	506-7018-003	.							1	

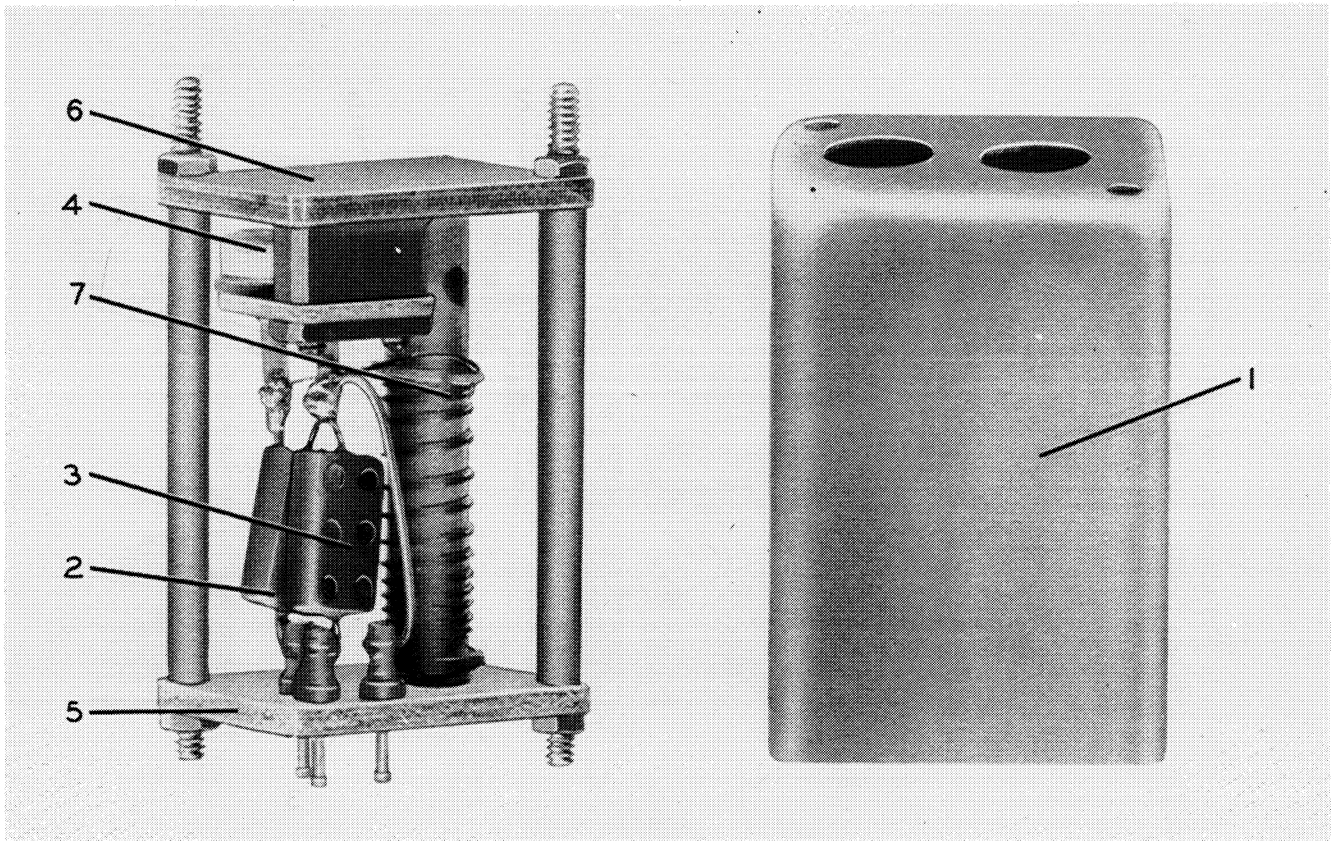


Figure 50. RF Tuning Unit

FIG. & INDEX NO.	PART NO.	DESCRIPTION							UNITS PER ASSY	USABLE ON CODE
		1	2	3	4	5	6	7		
50-	506-7007-003	TUNING UNIT, RF, 14.25 to 25 MC (See figure 29-92 for . . . next higher ASSY)							REF	
-1	506-1564-002	. SHIELD, Coil . . . . .							1	
-2	VCM15E331G	. CAPACITOR, Fixed, mica dielectric, 330 UUF ±2%, 500 V . Fed Mfr Code 72136 (912-0529-00)							1	
-3	VCM15E560G	. CAPACITOR, Fixed, mica dielectric, 56 UUF ±2%, 500 V . Fed Mfr Code 72136 (912-0475-00)							1	
-4	917-1074-00	. CAPACITOR, Variable, ceramic dielectric, 5.0 to 45.0 . . . UUF, 350 V							1	
		(ATTACHING PARTS)								
	MS35198-16	. SCREW, Machine, cross recessed FH, 4-40 X 1/2 IN. . . . LG, BRS, NI PL (342-0156-00)							2	
	506-1546-002	. SLEEVE, Capacitor spacing . . . . .							1	
	506-1544-002	. PLATE, Capacitor MTG . . . . .							1	
		-----*-----								
-5	506-6932-002	. INSULATOR, Bottom . . . . .							1	
-6	506-6969-002	. INSULATOR, Top . . . . .							1	
		(ATTACHING PARTS)								
	506-9077-002	. SCREW, Coil MTG, BRS, 3/16 IN. HEX X 2-9/64 IN. LG, . 4-40 THD EA end							2	
	506-9078-002	. SLEEVE, Spacing . . . . .							2	
		-----*-----								
-7	506-7019-003	. COIL, RF, 12 turns . . . . .							1	

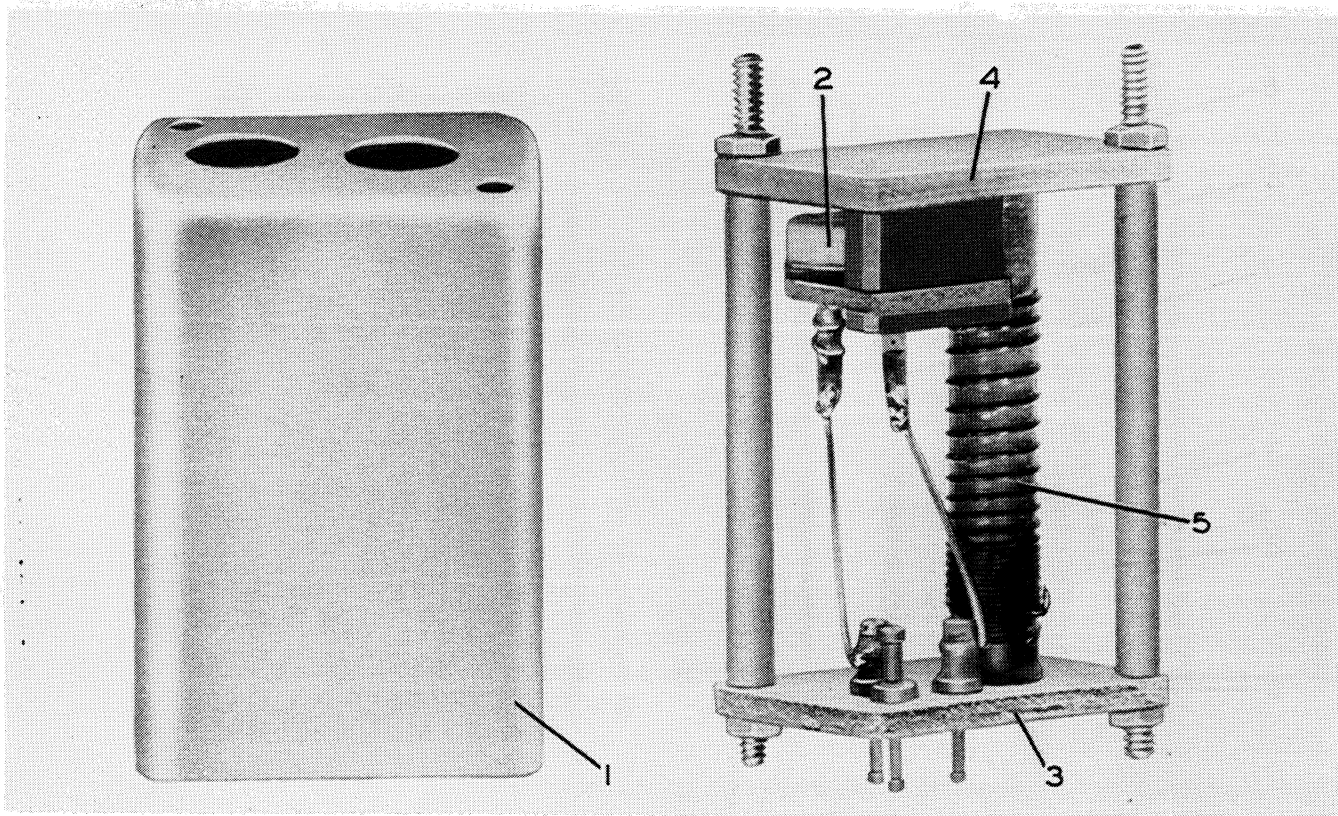


Figure 51. RF Tuning Unit

FIG. & INDEX NO.	PART NO.	DESCRIPTION							UNITS PER ASSY	USABLE ON CODE
		1	2	3	4	5	6	7		
51-	506-7011-003	TUNING UNIT, RF, 14.25 to 25 MC (See figure 29-93 for . . . next higher ASSY)							REF	
-1	506-1564-002	.							1	
-2	917-1074-00	.							1	
		(ATTACHING PARTS)							1	
-3	MS35198-16	.								
	506-1546-002	.							2	
	506-1544-002	.								
		-----*-----							1	
-4	506-6932-002	.							1	
-5	506-6969-002	.								
		(ATTACHING PARTS)							1	
	506-9077-002	.							1	
	506-9078-002	.							2	
		-----*-----								
-6	506-7020-003	.							2	
									1	

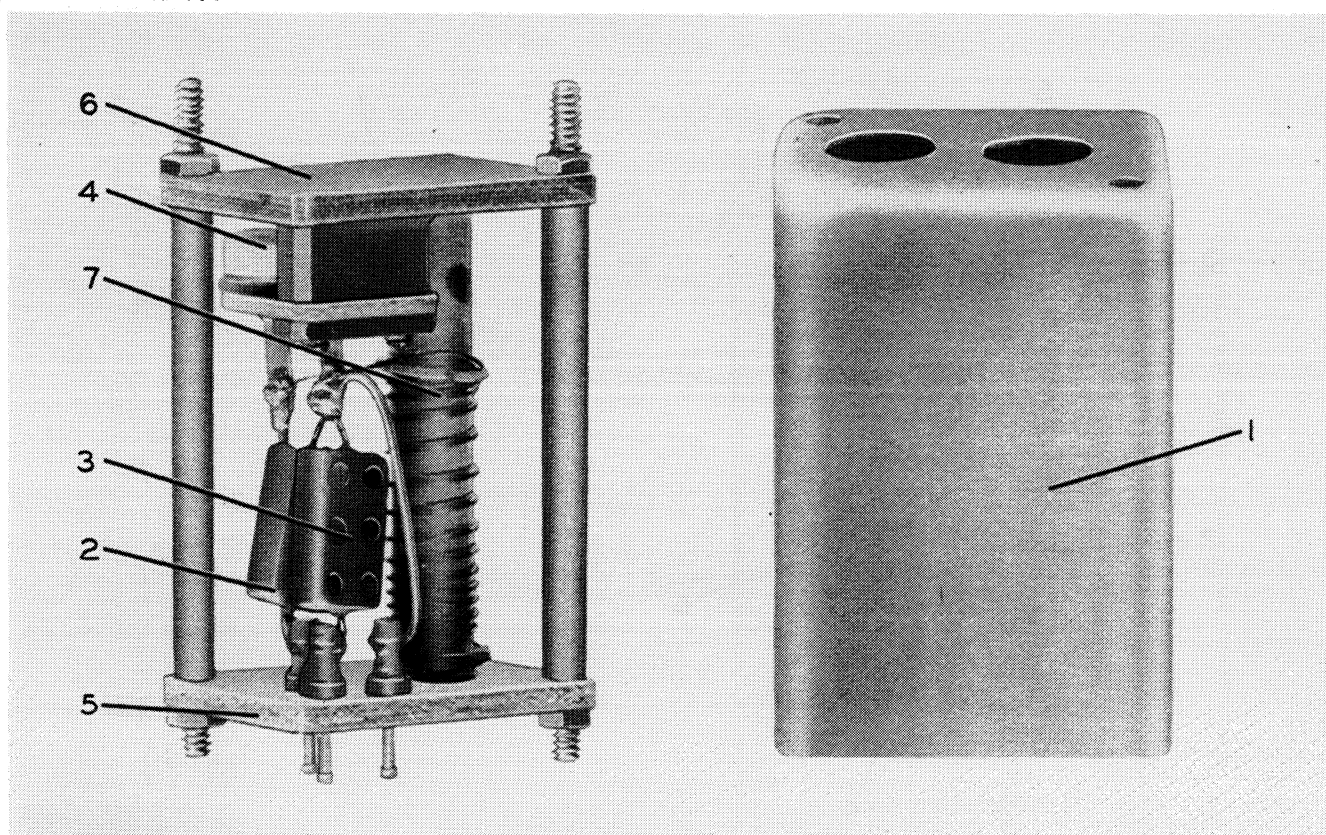


Figure 52. RF Tuning Unit

FIG. & INDEX NO.	PART NO.	DESCRIPTION							UNITS PER ASSY	USABLE ON CODE
		1	2	3	4	5	6	7		
52-	506-7005-003	TUNING UNIT, RF, 3.75 to 7.25 MC (See figure 29-94 for . . . next higher ASSY)							REF	
-1	506-1564-002	.	SHIELD, Coil . . . . .						1	
-2	CM15E511G	.	CAPACITOR, Fixed, mica dielectric, 510 UUF ±2%, 300 V . . . . .						1	
			Fed Mfr Code 72136 (912-0544-00)							
-3	CC33HG121J	.	CAPACITOR, Fixed, ceramic dielectric, 120 UUF ±5%, 500 . . . . .						1	
			V (MIL-C-20B) (928-7266-00)							
-4	917-1074-00	.	CAPACITOR, Variable, ceramic dielectric, 5.0 to 45.0 . . . . .						1	
			UUF, 350 V							
			(ATTACHING PARTS)							
	MS35198-16	.	SCREW, Machine, cross recessed FH, 4-40 X 1/2 IN. LG, . . . . .						2	
			BRS, NI PL (342-0156-00)							
	506-1546-002	.	SLEEVE, Capacitor spacing . . . . .						1	
	506-1544-002	.	PLATE, Capacitor MTG . . . . .						1	
			-----*-----							
-5	506-6932-002	.	INSULATOR, Bottom . . . . .						1	
-6	506-6969-002	.	INSULATOR, Top . . . . .						1	
			(ATTACHING PARTS)							
	506-9077-002	.	SCREW, Coil MTG, BRS, 3/16 IN. HEX X 2-9/64 IN. LG, . . . . .						2	
			4-40 THD EA end							
	506-9078-002	.	SLEEVE, Spacing . . . . .						2	
			-----*-----							
-7	506-7016-003	.	COIL, RF, 38 turns . . . . .						1	

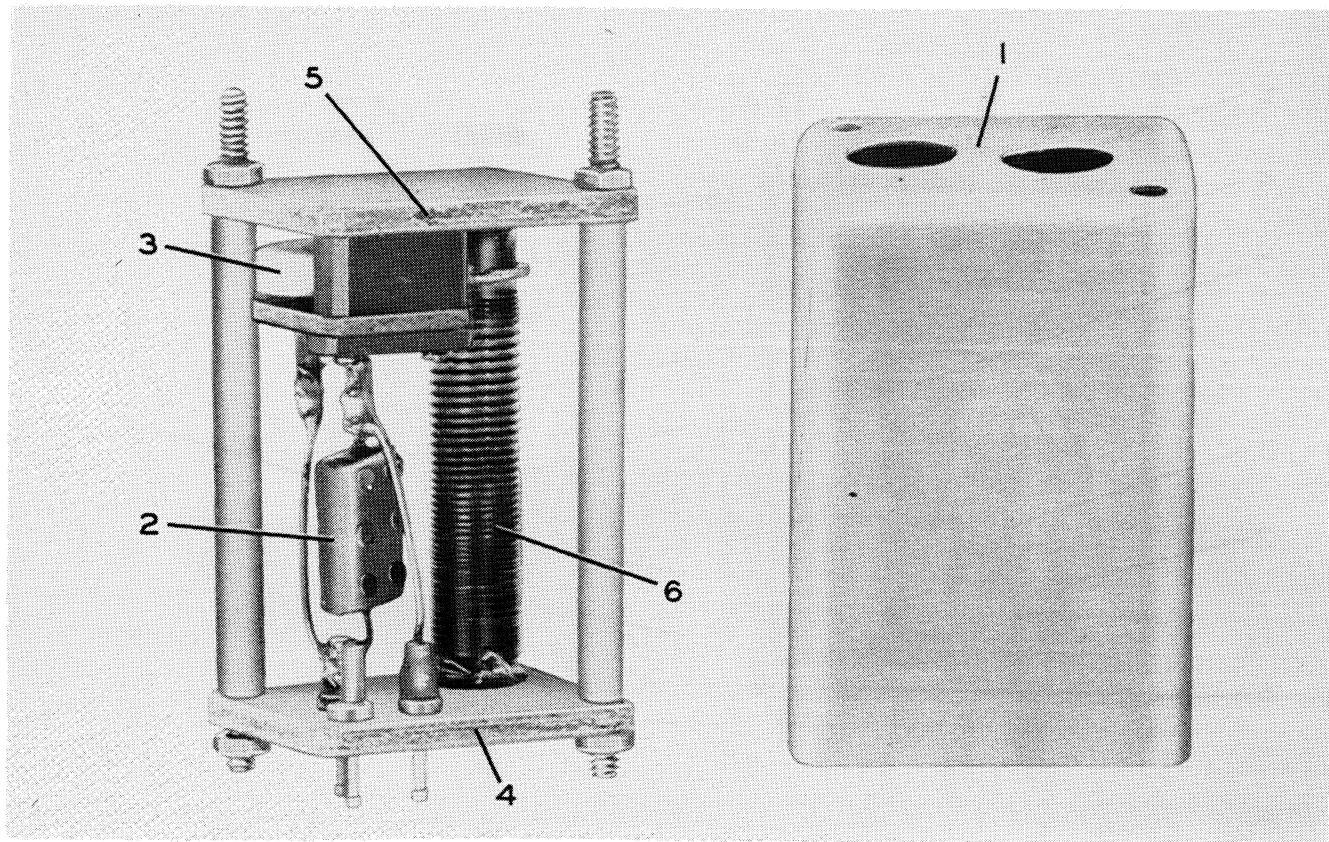


Figure 53. RF Tuning Unit

FIG. & INDEX NO.	PART NO.	DESCRIPTION	UNITS PER ASSY							USABLE ON CODE	
			1	2	3	4	5	6	7		
53-	506-7009-003	TUNING UNIT, RF, 3.75 to 7.25 MC (See figure 29-95 for . . . next higher ASSY)								REF	
-1	506-1564-002	. SHIELD, Coil . . . . .								1	
-2	928-4965-00	. CAPACITOR, Fixed, ceramic dielectric, 56 UUF ±5%, 500 V Fed Mfr Code 72982 (928-4965-00)								1	
-3	917-1074-00	. CAPACITOR, Variable, ceramic dielectric, 5.0 to 45.0 UUF, 350 V (ATTACHING PARTS)								1	
	MS35198-16	. SCREW, Machine, cross recessed FH, 4-40 X 1/2 IN. LG, BRS, NI PL (342-0156-00)								2	
	506-1546-002	. SLEEVE, Capacitor spacing . . . . .								1	
	506-1544-002	. PLATE, Capacitor MTG . . . . .								1	
		-----*-----									
-4	506-6932-002	. INSULATOR, Bottom . . . . .								1	
-5	506-6969-002	. INSULATOR, Top . . . . . (ATTACHING PARTS)								1	
	506-9077-002	. SCREW, Coil MTG, BRS, 3/16 IN. HEX X 2-9/64 IN. LG, 4-40 THD EA end								2	
	506-9078-002	. SLEEVE, Spacing . . . . .								2	
		-----*-----									
-6	506-7016-003	. COIL, RF, 38 turns . . . . .								1	

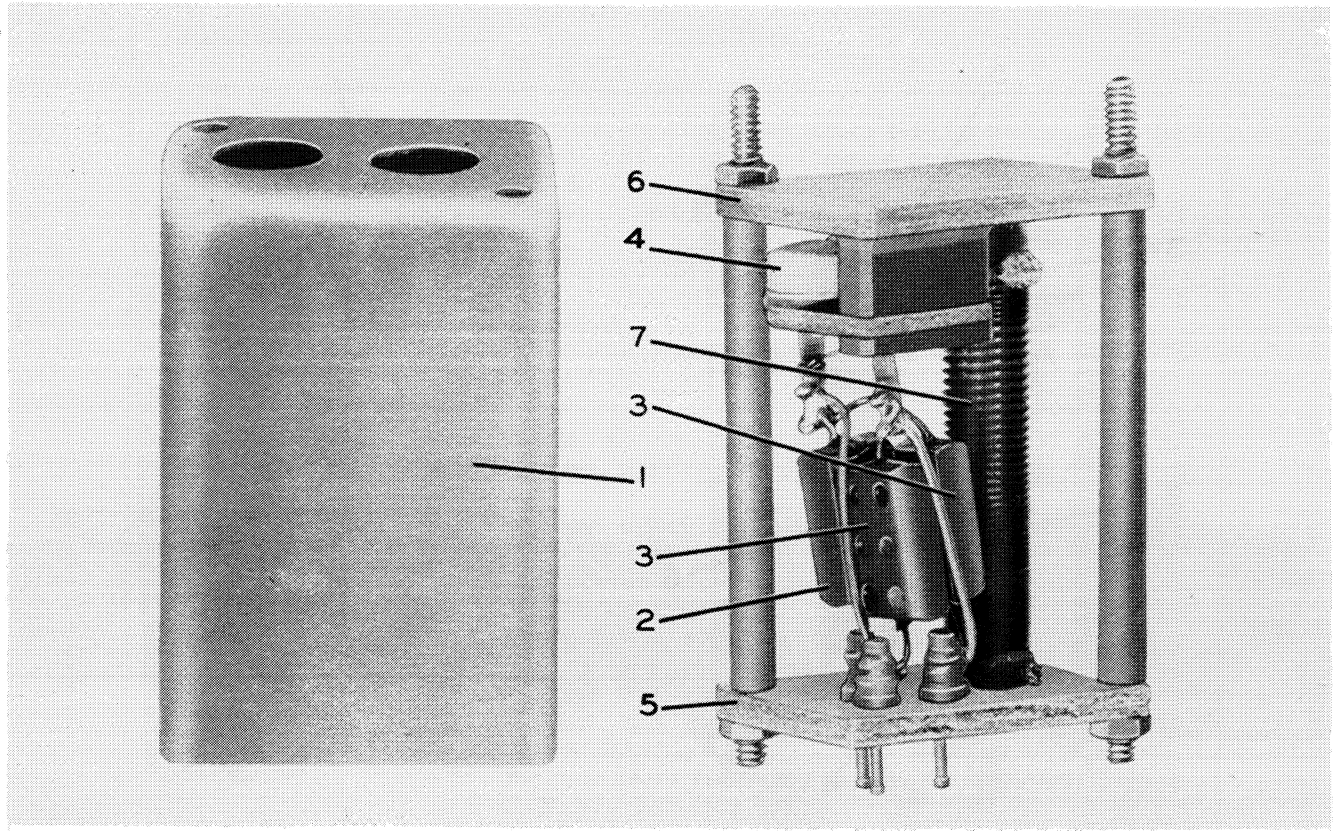


Figure 54. RF Tuning Unit

FIG. & INDEX NO.	PART NO.	DESCRIPTION	UNITS PER ASSY							USABLE ON CODE	
			1	2	3	4	5	6	7		
54-	506-7004-003	TUNING UNIT, RF, 2.00 to 3.75 MC (See figure 29-96 for . . . next higher ASSY)								REF	
-1	506-1564-002	. SHIELD, Coil . . . . .								1	
-2	VCM15E301G	. CAPACITOR, Fixed, mica dielectric, 300 UUF ±2%, 300 V . Fed Mfr Code 72136 (912-0526-00)								1	
-3	935-5016-00	. CAPACITOR, Fixed, mica dielectric, 800 UUF ±2%, 300 V .								2	
-4	917-1075-00	. CAPACITOR, Variable, ceramic dielectric, 8.0 to 75.0 . . . UUF, 350 V (ATTACHING PARTS)								1	
	MS35198-16	. SCREW, Machine, cross recessed FH, 4-40 X 1/2 IN. LG, . BRS, NI PL (342-0156-00)								2	
	506-1546-002	. SLEEVE, Capacitor spacing . . . . .								1	
	506-1544-002	. PLATE, Capacitor MTG . . . . . -----*-----								1	
-5	506-6932-002	. INSULATOR, Bottom . . . . .								1	
-6	506-6969-002	. INSULATOR, Top . . . . . (ATTACHING PARTS)								1	
	506-9077-002	. SCREW, Coil MTG, BRS, 3/16 IN. HEX X 2-9/64 IN. LG, . 4-40 THD EA end								2	
	506-9078-002	. SLEEVE, Spacing . . . . . -----*-----								2	
-7	506-7015-003	. COIL, RF, 55 turns . . . . .								1	

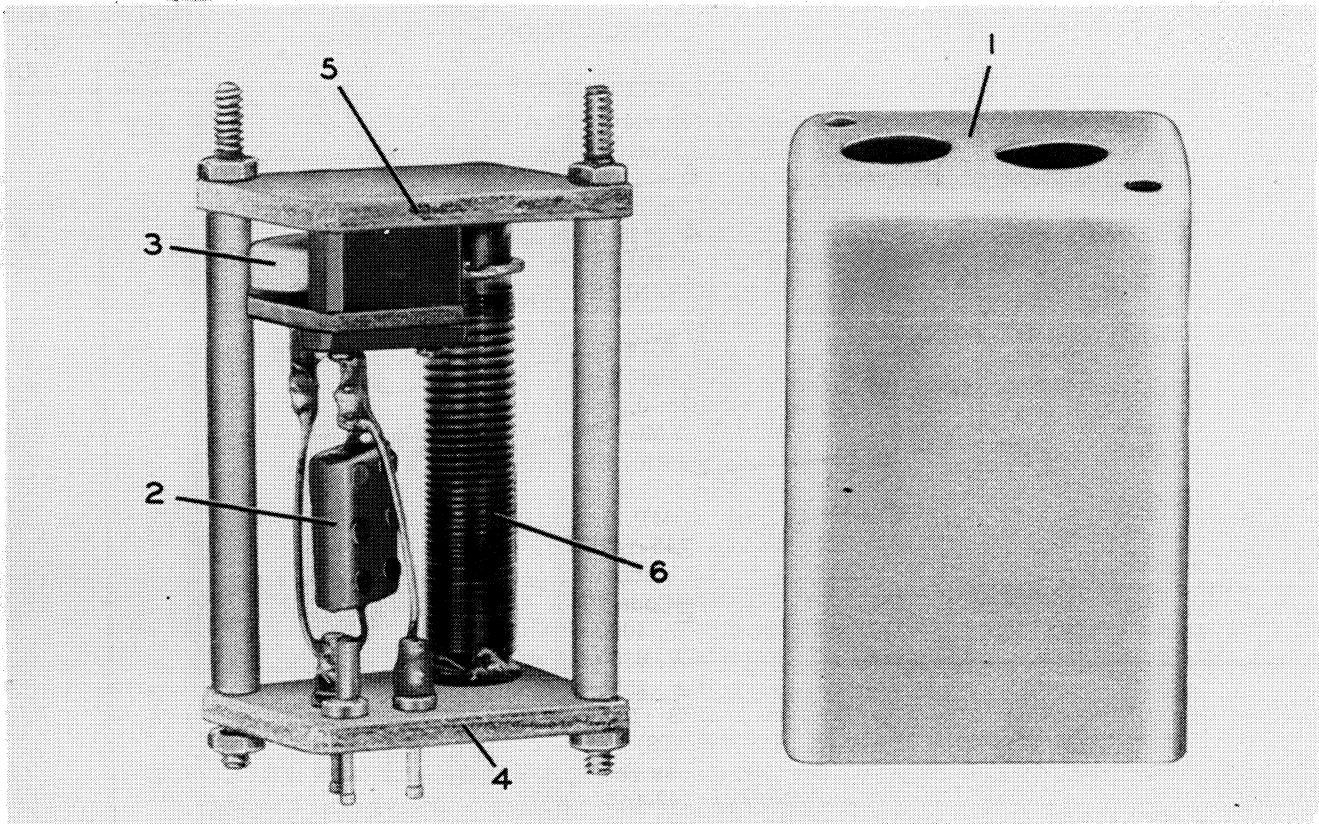


Figure 55. RF Tuning Unit

FIG. & INDEX NO.	PART NO.	DESCRIPTION	UNITS PER ASSY	USABLE ON CODE		
					1	2
55-	506-7008-003	TUNING UNIT, RF, 2.00 to 3.75 MC (See figure 29-97 for . . . next higher ASSY)	REF			
-1	506-1564-002	. SHIELD, Coil . . . . .	1			
-2	VCM15E181G	. CAPACITOR, Fixed, mica dielectric, 180 UUF ±2%, 500 V . Fed Mfr Code 72136 (912-0511-00)	1			
-3	917-1075-00	. CAPACITOR, Variable, ceramic dielectric, 8.0 to 75.0 . . . UUF, 350 V	1			
		(ATTACHING PARTS)				
	MS35198-16	. SCREW, Machine, cross recessed FH, 4-40 X 1/2 IN. LG, . BRS, NI PL (342-0156-00)	2			
	506-1546-002	. SLEEVE, Capacitor spacing . . . . .	1			
	506-1544-002	. PLATE, Capacitor MTG . . . . .	1			
		-----*-----				
-4	506-6932-002	. INSULATOR, Bottom . . . . .	1			
-5	506-6969-002	. INSULATOR, Top . . . . .	1			
		(ATTACHING PARTS)				
	506-9077-002	. SCREW, Coil MTG, BRS, 3/16 IN. HEX X 2-9/64 IN. LG, . 4-40 THD EA end	2			
	506-9078-002	. SLEEVE, Spacing . . . . .	2			
		-----*-----				
-6	506-7015-003	. COIL, RF, 55 turns . . . . .	1			

FIG. & INDEX NO.	PART NO.	DESCRIPTION	UNITS PER ASSY.	USABLE ON CODE		
					1	2
56-	506-6651-005	CHASSIS, Main cable, top view (See figure 3-10 for next . . . higher ASSY) (Effective Main Chassis No MOD, MOD-1 thru MOD-6)	REF			
-1	CM50B472J	. CAPACITOR, Fixed, mica dielectric, 4700 UUF ±5%, 2500 V (MIL-C-5) (936-1103-00) (ATTACHING PARTS)	1			
	COML	. NUT, HEX, 6-32, BRS, NI PL Fed Mfr Code 77250 . . . . . (313-0140-00)	2			
	COML	. WASHER, Flat, BRS, 0.147 ID, 0.312 OD, 0.032 IN. THK . . Fed Mfr Code 79807 (310-0055-00)	2			
	COML	. WASHER, Nonmetallic, 0.147 ID, 0.312 OD, 0.032 IN. THK, . corprene Fed Mfr Code 03938 (302-0025-00)	4			
	540-5331-002	. SCREW, Machine, plastic, HEX HD, 6-32 X 1/4 IN. LG. . . . . *-----	2			
-2	RC20GF824K	. RESISTOR, Fixed, COMP, 0.82 MEG ±10%, 1/2 W . . . . . (MIL-R-11) (745-1475-00)	1			
-3	2858	. GROMMET, Synthetic rubber or neoprene, fits 5/8 IN. DIA . hole Fed Mfr Code 70485 (201-0022-00)	1			
-4	747-9864-00	. RESISTOR, Fixed, WW, 4000 ohm ±3%, 7 W . . . . .	1			
-5	747-9862-00	. RESISTOR, Fixed, WW, 830 ohm ±3%, 7 W . . . . .	1			
-6	747-9863-00	. RESISTOR, Fixed, WW, 2500 ohm ±3%, 7 W . . . . .	2			
-7	ST-1050-34	. TERMINAL, Stud, BRS Fed Mfr Code 16688 (306-0091-00) (ATTACHING PARTS)	10			
	MS35198-12	. SCREW, Machine, cross recessed FH, 4-40 X 1/4 IN. LG, . BRS, NI PL (342-0152-00)	8			
	MS35214-11	. SCREW, Machine, cross recessed pan HD, 4-40 X 3/16 IN. . LG, BRS, NI PL -----*	2			
-8	506-6644-002	. POST, Spacing . . . . . (ATTACHING PARTS)	4			
	MS35198-12	. SCREW, Machine, cross recessed FH, 4-40 X 1/4 IN. LG, . BRS, NI PL -----*	4			
-9	SPP-3	. CLIP, Electron tube Fed Mfr Code 42498 (301-1002-00) .	2			
-10	506-8357-002	. BRACKET, Capacitor . . . . . (ATTACHING PARTS)	1			
	MS35214-14	. SCREW, Machine, cross recessed pan HD, 4-40 X 3/8 IN. . LG, BRS, NI PL (343-0287-00)	2			
	MS35198-13	. SCREW, Machine, cross recessed FH, 4-40 X 5/16 IN. LG, . BRS, NI PL (342-0153-00)	1			
	AN936B4B	. WASHER, Lock, 0.123 ID, 0.255 OD, 0.016 IN. THK, PH . . BRZ, CAD PL (373-7010-00) -----*	2			
-11	677-0537-00	. TRANSFORMER, AF, modulation (Used effective Main . . Chassis No MOD, MOD-1, MOD-2, MOD-3, MOD-4) *	1			
-11	25220-A	. TRANSFORMER, AF, modulation Fed Mfr Code 12080 . . (677-0923-00) (Used effective Main Chassis MOD-5 and MOD-6) (ATTACHING PARTS)	1			
	MS35214-49	. SCREW, Machine, cross recessed pan HD, 8-32 X 1-3/4 . . IN. LG, BRS, NI PL (343-0319-00)	2			
	MS35198-40	. SCREW, Machine, cross recessed FH, 8-32 X 3/8 IN. LG, . BRS, NI PL (342-0184-00)	1			
	AN936B8B	. WASHER, Lock, 0.176 ID, 0.381 OD, 0.020 IN. THK, PH . . BRZ, CAD PL (373-7030-00) -----*	2			



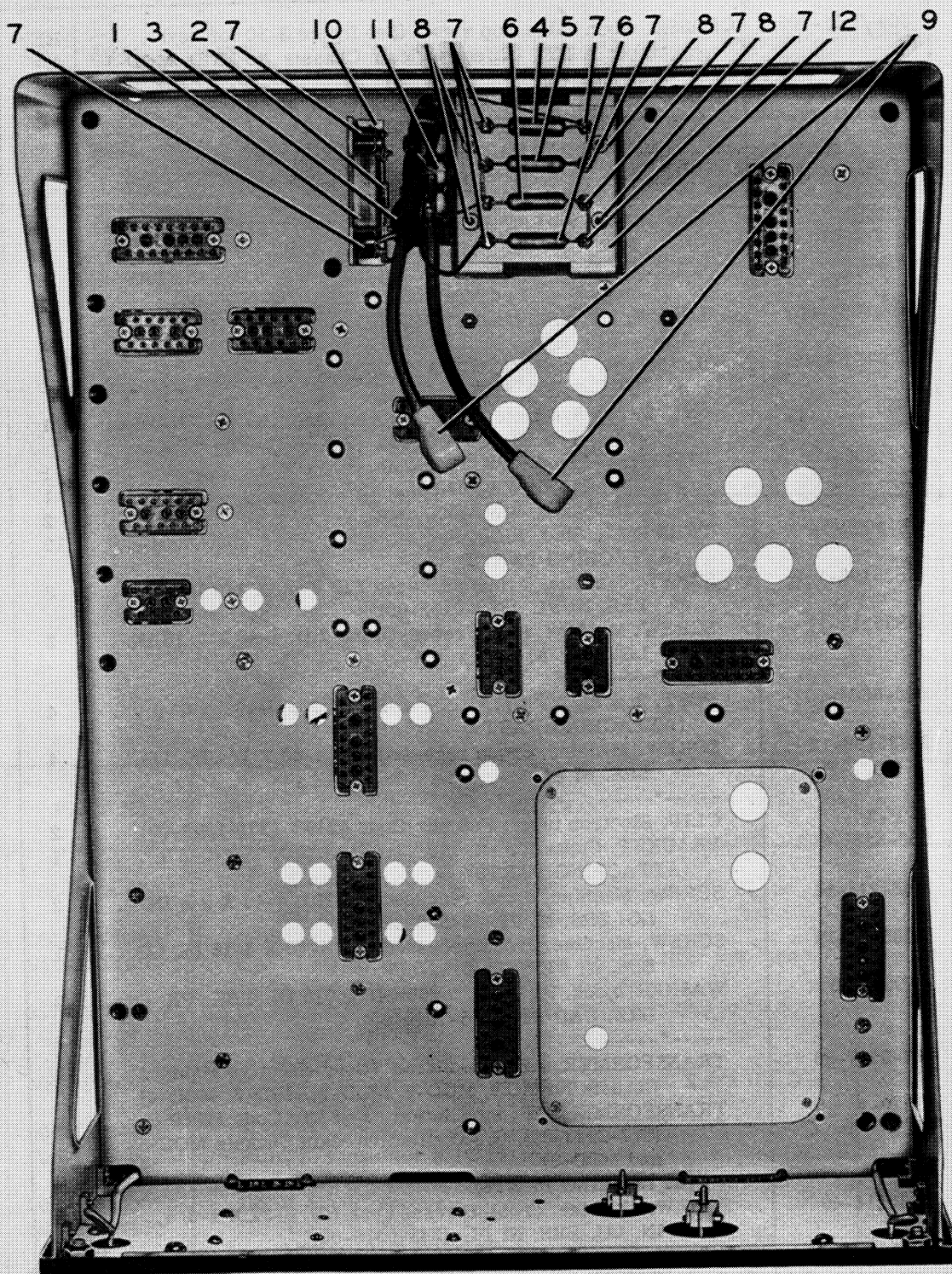


Figure 56. Chassis, Top View (No MOD, MOD-1 thru MOD-6)

FIG. & INDEX NO.	PART NO.	DESCRIPTION	UNITS PER ASSY.	USABLE ON CODE		
					1	2
56-12	506-6646-003	. HOLDER, Resistor (Used effective Main Chassis . . . . . No MOD, MOD-1)	1			
-12	540-9973-003	. HOLDER, Resistor, AL (Used effective Main Chassis . . . . MOD-2 thru MOD-6)	1			
57-	506-6651-005	CHASSIS, Main cable, bottom view (See figure 3-10 for . . . . next higher ASSY) (Effective Main Chassis No MOD, MOD-1 thru MOD-6)	REF			
-1	126-807-1002	. CONNECTOR, Receptacle, electrical, 20 female CONT. . . . Fed Mfr Code 89709 (372-1071-00) (ATTACHING PARTS)	7			
	COML	. NUT, HEX, 4-40, BRS, NI PL Fed Mfr Code 77250 . . . . . (313-0156-00)	14			
	500-1073-003 MS35198-17	. WASHER, Flat, 0.135 ID, 0.250 OD, 0.028 IN. THK, SST . . . . SCREW, Machine, cross recessed FH, 4-40 X 5/8 IN. LG. . . BRS, NI PL	14 14			
		-----*-----				
-2	126-150-1000	. CONNECTOR, Receptacle, electrical, 15 female CONT. . . . Fed Mfr Code 89709 (372-1081-00) (ATTACHING PARTS)	7			
	COML	. NUT, HEX, 4-40, BRS, NI PL Fed Mfr Code 77250 . . . . . (313-0156-00)	14			
	500-1073-003 MS35198-17	. WASHER, Flat, 0.135 ID, 0.250 OD, 0.028 IN. THK, SST . . . . SCREW, Machine, cross recessed FH, 4-40 X 5/8 IN. LG. . . BRS, NI PL (342-0157-00)	14 14			
		-----*-----				
-3	126-805-1000	. CONNECTOR, Receptacle, electrical, 11 female CONT. . . . Fed Mfr Code 89709 (372-1076-00) (ATTACHING PARTS)	3			
	COML	. NUT, HEX, 4-40, BRS, NI PL Fed Mfr Code 77250 . . . . . (313-0156-00)	6			
	500-1073-003 MS35198-17	. WASHER, Flat, 0.135 ID, 0.250 OD, 0.028 IN. THK, SST . . . . SCREW, Machine, cross recessed FH, 4-40 X 5/8 IN. LG. . . BRS, NI PL (342-0157-00)	10 6			
		-----*-----				
-4	126-807-1002	. CONNECTOR, Receptacle, electrical, 20 female CONT. . . . Fed Mfr Code 89709 (372-1071-00) (Used effective Main Chassis No MOD, MOD-1, MOD-2, MOD-3)	1			
-4	26-807 (MOD)	. CONNECTOR, Receptacle, electrical, 19 female CONT. . . . Fed Mfr Code 89709 (372-1616-00) (Used effective Main Chassis MOD-4 thru MOD-6) (ATTACHING PARTS)	1			
	COML	. NUT, HEX, 4-40, BRS, NI PL Fed Mfr Code 77250 . . . . . (313-0156-00)	2			
	500-1073-003 MS35198-17	. WASHER, Flat, 0.135 ID, 0.250 OD, 0.028 IN. THK, SST . . . . SCREW, Machine, cross recessed FH, 4-40 X 5/8 IN. LG. . . BRS, NI PL (342-0157-00)	2 2			
		-----*-----				
-5	26-159-32	. CONNECTOR, Receptacle, electrical, 32 male CONT . . . . Fed Mfr Code 89709 (372-1138-00) (ATTACHING PARTS)	2			
	MS35198-12	. SCREW, Machine, cross recessed FH, 4-40 X 1/4 IN. LG. . . BRS, NI PL (342-0152-00)	4			

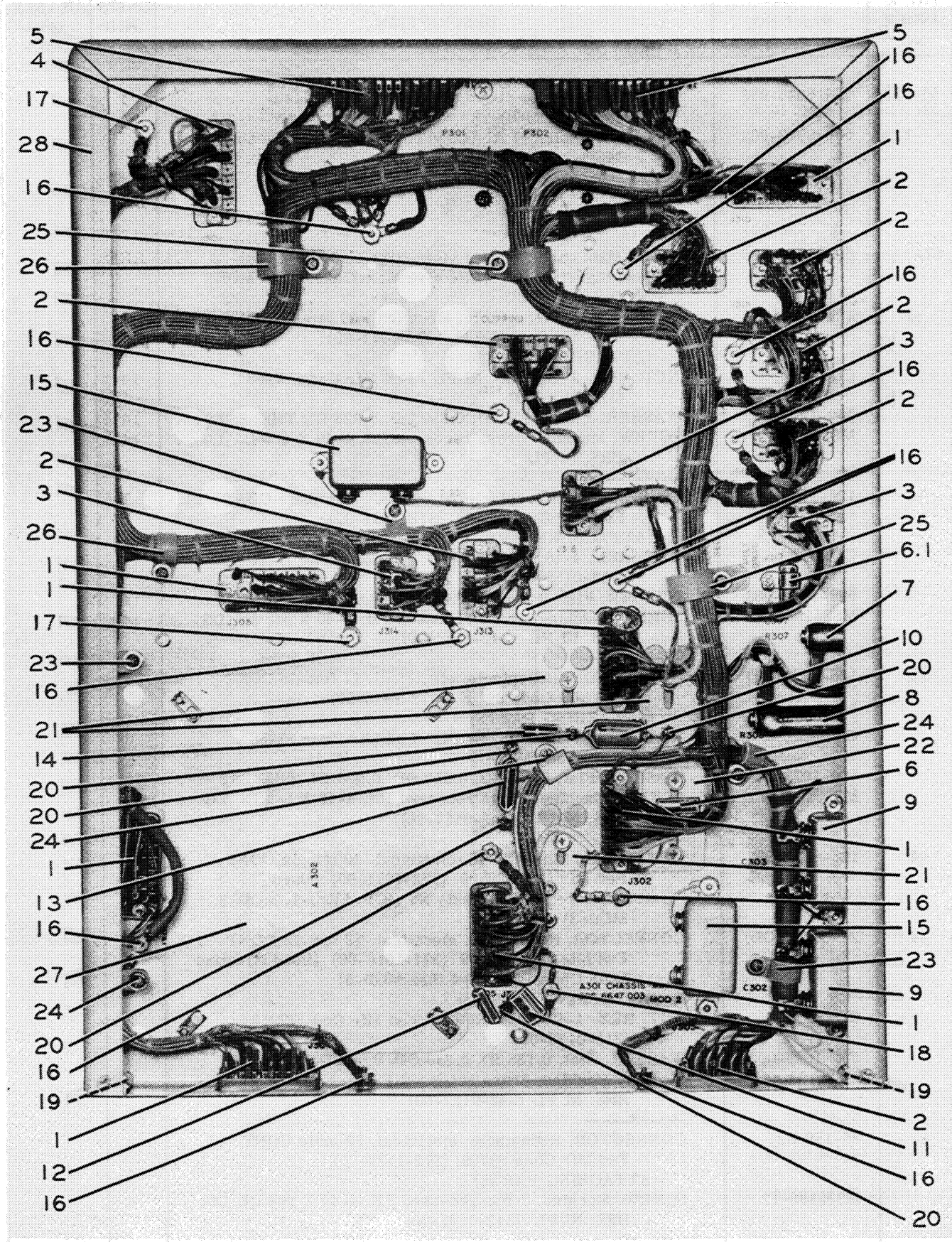


Figure 57. Chassis, Bottom View (No MOD, MOD-1 thru MOD-6)

FIG. & INDEX NO.	PART NO.	DESCRIPTION	UNITS PER ASSY.	USABLE ON CODE		
					1	2
57-	MS35214-12	. SCREW, Machine, cross recessed pan HD, 4-40 X 1/4 . . . IN. LG, BRS, NI PL (343-0285-00)	4			
	AN936B4	. WASHER, Lock, 0.123 ID, 0.255 OD, 0.016 IN. THK, SST . . (373-8010-00)	4			
	506-6637-002	. POST, Supporting . . . . .	4			
	506-6635-002	. PLATE, Connector, left . . . . .	1			
	506-6636-002	. PLATE, Connector, right . . . . .	1			
	4007-6	. TERMINAL, Lug, COP Fed Mfr Code 77147 (304-0016-00) (Used effective Main Chassis MOD-1 thru MOD-6) -----*-----	2			
-6	86P10401S1	. CAPACITOR, Fixed, paper dielectric, 0.10 UF ±20%, 100. . . V Fed Mfr Code 56289 (931-0496-00) (Used effective Main Chassis Mod-1 thru MOD-6) (ATTACHING PARTS)	1			
	COML	. NUT, HEX, 4-40, BRS, NI PL Fed Mfr Code 77250 . . . . (313-0156-00)	1			
	AN936B4B	. WASHER, Lock, 0.123 ID, 0.255 OD, 0.016 IN. THK, PH . . BRZ, CAD PL (373-7010-00)	1			
	4007-4	. TERMINAL, Lug, COP Fed Mfr Code 77147 (304-0015-00) (Used effective Main Chassis MOD-1)	1			
	1126	. STRAP, Retaining Fed Mfr Code 71785 (139-0648-00) . .	1			
	MS35198-14	. SCREW, Machine, cross recessed FH, 4-40 X 3/8 IN. LG, . BRS, NI PL (342-0154-00) -----*-----	1			
-6.1	86P10401S1	. CAPACITOR, Fixed, paper dielectric, 0.10 UF ±20%, 100 V. Fed Mfr Code 56289 (931-0496-00) (Used effective Main Chassis MOD-1, MOD-2, MOD-3, MOD-4) (ATTACHING PARTS)	1			
	COML	. NUT, HEX, 4-40, BRS, NI PL Fed Mfr Code 77250 . . . . (313-0156-00)	1			
	AN936B4B	. WASHER, Lock, 0.123 ID, 0.255 OD, 0.016 IN. THK, PH . . BRZ, CAD PL (373-7010-00)	1			
	4007-4	. TERMINAL, Lug, COP Fed Mfr Code 77147 (304-0015-00)	1			
	1126	. STRAP, Retaining Fed Mfr Code 71785 (139-0648-00) . .	1			
	MS35198-14	. SCREW, Machine, cross recessed FH, 4-40 X 3/8 IN. LG, . BRS, NI PL (342-0154-00) -----*-----	1			
-6.1	10404-32	. COIL, RF, 82 UH Fed Mfr Code 82142 (240-0192-00). . . (Used effective Main Chassis MOD-5 and MOD-6)	1			
-7	RW30G350	. RESISTOR, Fixed, WW, 35 ohm ±5%, 8 W (MIL-R-26) . . . (747-0108-00) (ATTACHING PARTS)	1			
	MS35214-27	. SCREW, Machine, cross recessed pan HD, 6-32 X 1/2 IN. . LG, BRS, NI PL (343-0332-00)	1			
	MS35198-27	. SCREW, Machine, cross recessed FH, 6-32 X 1/2 IN. LG, . BRS, NI PL (342-0170-00)	1			
	COML	. WASHER, Flat, BRS, 0.147 ID, 0.375 OD, 0.032 IN. THK . . Fed Mfr Code 79807 (310-0056-00)	1			
	COML	. WASHER, Flat, BRS, 0.203 ID, 0.500 OD, 0.038 IN. THK . . Fed Mfr Code 79807 (310-0060-00)	1			
	COML	. WASHER, Nonmetallic, mica, 3/16 ID, 7/16 OD, 0.025 . . . IN. THK Fed Mfr Code 71124 (302-2300-00)	4			
	506-4385-002	. POST, Resistor MTG . . . . . -----*-----	1			
	-8	RW32GR50	. RESISTOR, Fixed, WW, 0.50 ohm ±10%, 12 W (MIL-R-26) . (747-1101-00)	1		

Section II  
Group Assembly Parts List

T.O. 12R2-4-6-4

FIG. & INDEX NO.	PART NO.	DESCRIPTION	UNITS PER ASSY.	USABLE ON CODE		
					1	2
57-8		(ATTACHING PARTS)				
	MS35214-27	SCREW, Machine, cross recessed pan HD, 6-32 X 1/2 IN. LG, BRS, NI PL (343-0332-00)	1			
	MS35198-27	SCREW, Machine, cross recessed FH, 6-32 X 1/2 IN. LG, BRS, NI PL (342-0170-00)	1			
	COML	WASHER, Flat, BRS, 0.147 ID, 0.375 OD, 0.032 IN. THK Fed Mfr Code 79807 (310-0056-00)	1			
	COML	WASHER, Flat, BRS, 0.203 ID, 0.500 OD, 0.038 IN. THK Fed Mfr Code 79807 (310-0060-00)	1			
	COML	WASHER, Nonmetallic, mica, 3/16 ID, 7/16 OD, 0.025 IN. THK Fed Mfr Code 71124 (302-2300-00)	4			
	500-1143-007	POST, Resistor MTG	1			
		-----*				
-9	CP53B1FF504M	CAPACITOR, Fixed, paper dielectric, 0.5 UF ±20%, 600 V (MIL-C-25) (961-4313-00)	2			
		(ATTACHING PARTS)				
	AN340B6	NUT, HEX, 6-32, BRS, NI PL (313-0053-00)	3			
	AN936B6B	WASHER, Lock, 0.150 ID, 0.317 OD, 0.020 IN. THK, PH BRZ (373-7020-00)	3			
	4007-6	TERMINAL, Lug, COP Fed Mfr Code 77147 (304-0016-00)	1			
	MS35198-25	SCREW, Machine, cross recessed FH, 6-32 X 3/8 IN. LG, BRS, NI PL (342-0168-00)	3			
		-----*				
-10	C-0047140E	COIL, RF, 12 UH Fed Mfr Code 95265 (240-0125-00) (Used effective Main Chassis MOD-1 thru MOD-6)	1			
-11	DM 0084	COIL, RF, 2.0 UH Fed Mfr Code 99800 (240-0084-00) (Used effective Main Chassis MOD-1 thru MOD-6)	1			
-12	CM20B201J	CAPACITOR, Fixed, mica dielectric, 200 UUF ±5%, 500 V (MIL-C-5) (935-0118-00) (Used effective Main Chassis MOD-1 thru MOD-6)	1			
-13	747-9431-00	RESISTOR, Fixed, WW, 4000 ohm ±3%, 5 W (Used effective Main Chassis MOD-1 thru MOD-6)	1			
-14	RC42GF183K	RESISTOR, Fixed, COMP, 18,000 ohm ±10%, 2 W (MIL-R-11) (745-5705-00) (Used effective Main Chassis NO MOD only)	1			
-14	RC42GF182K	RESISTOR, Fixed, COMP, 1800 ohm ±10%, 2 W (MIL-R-11) (745-5663-00) (Used effective Main Chassis MOD-1 thru MOD-6)	1			
-15	CE63C080P	CAPACITOR, Fixed, ELECT., 8 UF, 350 V (JAN-C-62) (184-6533-00) (Used effective Main Chassis MOD-1 thru MOD-6)	2			
		(ATTACHING PARTS)				
	AN340B6	NUT, HEX, 6-32, BRS, NI PL (313-0053-00)	4			
	AN936B6B	WASHER, Lock, 0.150 ID, 0.317 OD, 0.020 IN. THK, PH BRZ, CAD PL (373-7020-00)	4			
	4007-6	TERMINAL, Lug, COP Fed Mfr Code 77147 (304-0016-00) (Used effective Main Chassis MOD-1 thru MOD-6)	2			
	MS35198-25	SCREW, Machine, cross recessed FH, 6-32 X 3/8 IN. LG, BRS, NI PL (342-0168-00)	4			
		-----*				
-16	1011	TERMINAL, Lug Fed Mfr Code 77147 (304-0114-00) (ATTACHING PARTS)	23			
	AN340B6	NUT, HEX, 6-32, BRS, NI PL (313-0053-00)	27			
	AN936B6B	WASHER, Lock, 0.150 ID, 0.317 OD, 0.020 IN. THK, PH BRZ, CAD PL (373-7020-00)	27			
	MS35198-27	SCREW, Machine, cross recessed FH, 6-32 X 1/2 IN. LG, BRS, NI PL (342-0170-00)	12			

FIG. & INDEX NO.	PART NO.	DESCRIPTION	UNITS PER ASSY.	USABLE ON CODE		
					1	2
57-	MS35198-26	. SCREW, Machine, cross recessed FH, 6-32 X 7/16 IN. LG., . BRS, NI PL (342-0169-00)	1			
	MS35198-28	. SCREW, Machine, cross recessed FH, 6-32 X 5/8 IN. LG, . BRS, NI PL (342-0171-00)	1			
-17	2041	. -----*----- TERMINAL, Lug Fed Mfr Code 77147 (304-1300-00) . . . (ATTACHING PARTS)	3			
	AN340B6	. NUT, HEX, 6-32, BRS, NI PL (313-0053-00) . . . . .	4			
	AN936B6B	. WASHER, Lock, 0.150 ID, 0.317 OD, 0.020 IN. THK, PH . . BRZ, CAD PL (373-7020-00)	4			
	MS35198-27	. SCREW, Machine, cross recessed FH, 6-32 X 1/2 IN. LG, . BRS, NI PL (342-0170-00)	2			
		. -----*-----				
-18	5-#6	. TERMINAL, Lug Fed Mfr Code 79963 (304-7200-00) . . . (ATTACHING PARTS)	1			
	AN340B6	. NUT, HEX, 6-32, BRS, NI PL (313-0053-00) . . . . .	2			
	AN936B6B	. WASHER, Lock, 0.150 ID, 0.317 OD, 0.020 IN. THK, PH . . BRZ, CAD PL (373-7020-00)	2			
	4007-6	. TERMINAL, Lug, COP Fed Mfr Code 77147 (304-0016-00)	1			
	MS35198-27	. SCREW, Machine, cross recessed FH, 6-32 X 1/2 IN. LG, . BRS, NI PL (342-0170-00)	1			
	. -----*-----					
-19	2522-06-00	. TERMINAL, Lug, BRS Fed Mfr Code 78189 (304-4200-00)	2			
-20	306-0234-00	. TERMINAL, Stud, BRS (Used effective Main Chassis . . . MOD-1 thru MOD-6) (ATTACHING PARTS)	6			
	MS35198-12	. SCREW, Machine, cross recessed FH, 4-40 X 1/4 IN. LG, . BRS, NI PL (342-0152-00)	6			
		. -----*-----				
-21	540-9982-002	. COVER, Coil, AL (Used effective Main Chassis MOD-3 . . thru MOD-6) (ATTACHING PARTS)	3			
	MS35216-10	. SCREW, Machine, cross recessed pan HD, 4-40 X 1/8 . . . IN. LG, SST (343-0131-00)	3			
	COML	. WASHER, Flat, SST, 0.125 ID, 0.312 OD, 0.027 IN. THK . . Fed Mfr Code 79807 (310-0045-00)	3			
	. -----*-----					
-22	540-9983-002	. COVER, Coil, AL (Used effective Main Chassis MOD-3 . . thru MOD-6) (ATTACHING PARTS)	2			
	MS35216-10	. SCREW, Machine, cross recessed pan HD, 4-40 X 1/8 IN. . LG, SST (343-0131-00)	2			
	COML	. WASHER, Flat, SST, 0.125 ID, 0.312 OD, 0.027 IN. THK . . Fed Mfr Code 79807 (310-0045-00)	2			
	. -----*-----					
-23	HP-8N	. CLAMP, Loop Fed Mfr Code 09922 (150-1545-00) . . . . . (ATTACHING PARTS)	3			
	MS35214-23	. SCREW, Machine, cross recessed pan HD, 6-32 X 1/4 IN. . LG, BRS, NI PL (343-0328-00)	3			
	MS35198-7	. SCREW, Machine, cross recessed FH, 2-56 X 1/2 IN. LG, . BRS, NI PL (342-0147-00)	1			
	MS35214-24	. SCREW, Machine, cross recessed pan HD, 6-32 X 5/16 . . IN. LG, BRS, NI PL (343-0329-00)	1			
	COML	. WASHER, Flat, BRS, 0.147 ID, 0.375 OD, 0.032 IN. THK . . Fed Mfr Code 79807 (310-0056-00)	5			
	500-5966-001	. INSULATOR, Standoff . . . . .	1			
		. -----*-----				

Section II  
Group Assembly Parts List

T.O. 12R2-4-6-4

FIG. & INDEX NO.	PART NO.	DESCRIPTION	UNITS PER ASSY.	USABLE ON CODE		
					1	2
57-24	HP-6N	. CLAMP, Loop Fed Mfr Code 09922 (150-1543-00) . . . . . (ATTACHING PARTS)	3			
	MS35214-23	. SCREW, Machine, cross recessed pan HD, 6-32 X 1/4 IN. . LG, BRS, NI PL (343-0328-00)	2			
	MS35214-24	. SCREW, Machine, cross recessed pan HD, 6-32 X 5/16 . . IN. LG, BRS, NI PL (343-0329-00)	1			
	MS35198-7	. SCREW, Machine, cross recessed FH, 2-56 X 1/2 IN. LG, . BRS, NI PL (342-0147-00)	1			
	COML	. WASHER, Flat, BRS, 0.147 ID, 0.375 OD, 0.032 IN. THK . . Fed Mfr Code 79807 (310-0056-00)	4			
	500-5966-001	. INSULATOR, Standoff . . . . . -----*-----	1			
-25	HP-14N	. CLAMP, Loop Fed Mfr Code 09922 (150-1547-00) . . . . . (ATTACHING PARTS)	2			
	MS35214-24	. SCREW, Machine, cross recessed pan HD, 6-32 X 5/16 . . IN. LG, BRS, NI PL (343-0329-00)	2			
	COML	. WASHER, Flat, BRS, 0.147 ID, 0.375 OD, 0.032 IN. THK . . Fed Mfr Code 79807 (310-0056-00) -----*-----	2			
-26	HP-10N	. CLAMP, Loop, AL Fed Mfr Code 09922 (150-1546-00) . . (ATTACHING PARTS)	2			
	MS35214-23	. SCREW, Machine, cross recessed pan HD, 6-32 X 1/4 IN. . LG, BRS, NI PL (343-0328-00)	2			
	COML	. WASHER, Flat, BRS, 0.147 ID, 0.375 OD, 0.032 IN. THK . . Fed Mfr Code 79807 (310-0056-00) -----*-----	2			
-27	506-7456-003	. PLATE, Cover . . . . .	1			
-28	506-6647-003	. CHASSIS, Main . . . . .	1			
58-	522-0059-005	SHOCKMOUNT, 350S-1 (See figure 1-2 for next higher ASSY). (Effective Shockmount NO MOD, MOD-1 thru MOD-3)	REF	F		
58-	522-0184-005	SHOCKMOUNT, 350S-3 (See figure 1-2 for next higher ASSY). (Effective Shockmount NO MOD, MOD-1 thru MOD-3)	REF	G		
* -1	506-4254-001	. ISOLATOR SET, Vibration, air damped. . . . . OR	1	F		
* -1	506-4255-001	. ISOLATOR SET, Vibration, all metal. . . . . OR	1			
* -1	506-4256-001	. ISOLATOR SET, Vibration, metal flex . . . . . OR	1			
* -1	506-4257-001	. ISOLATOR SET, Vibration, plastic retainer. . . . . (ATTACHING PARTS)	1			
	MS35216-69	. SCREW, Machine, cross recessed pan HD, 1/4-20 X . . 1/2 IN. LG, SST (343-0265-00)	4			
	AN936B416	. WASHER, Lock, 0.267 ID, 0.506 OD, 0.025 IN. THK, STL, . CAD PL (373-5042-00)	4			
	505-0197-002	. STRAP, Ground . . . . . -----*-----	4			
-2	NO NUMBER	. PLATE, Identification . . . . . (ATTACHING PARTS)	1			
	MS35216-3	. SCREW, Machine, cross recessed pan HD, 2-56 X 1/4 IN. . LG, SST (343-0124-00)	2			

\*NOTE: Replace Isolators with 1 set of the 4 choices listed.

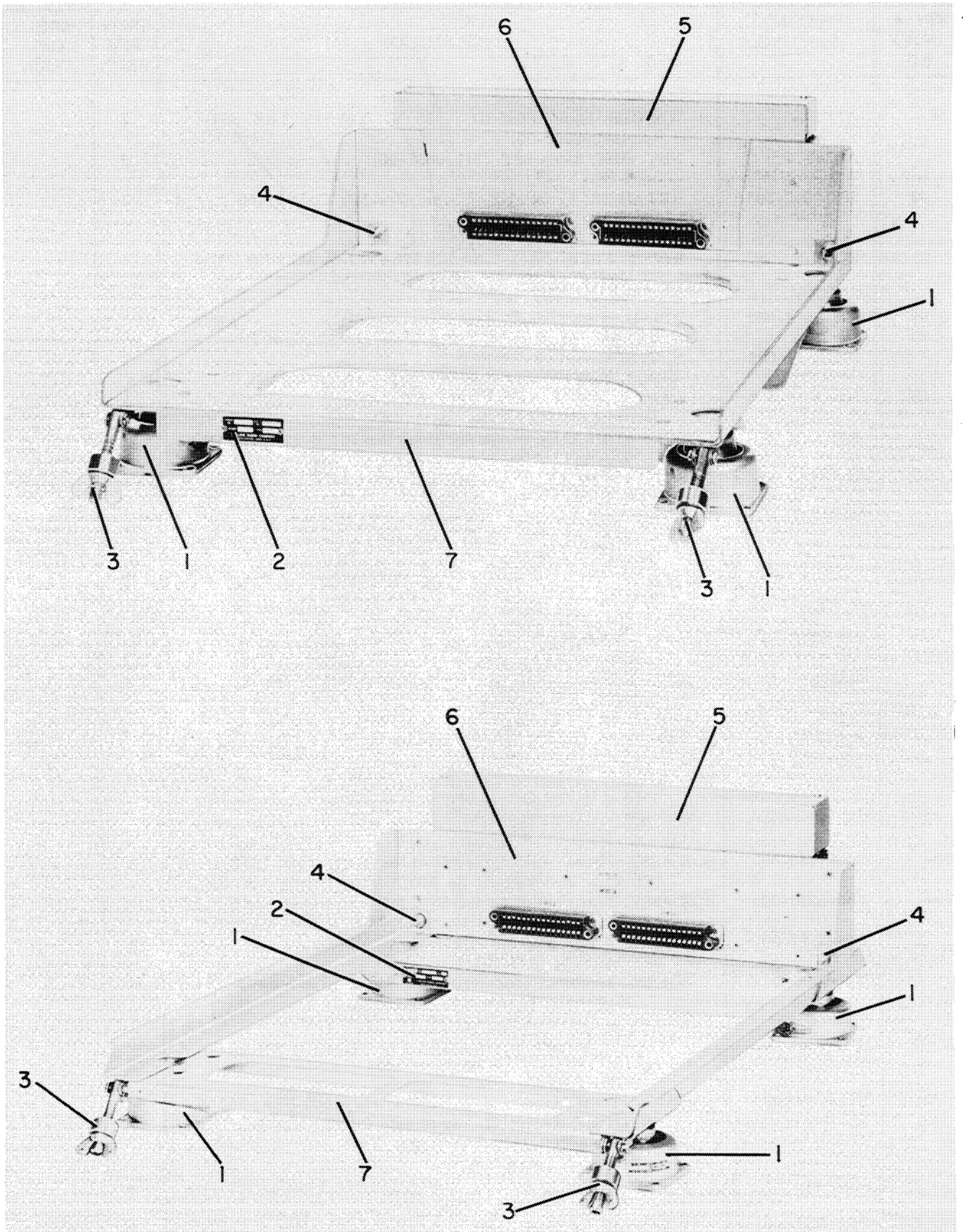


Figure 58. Shockmount 350S-1 and 350S-3 (No MOD, MOD-1 thru MOD-3)



Section II  
Group Assembly Parts List

T.O. 12R2-4-6-4

FIG. & INDEX NO.	PART NO.	DESCRIPTION	UNITS PER ASSY.	USABLE ON CODE
58-	AN936A2	WASHER, Lock, 0.095 ID, 0.185 OD, 0.012 IN. THK, SST . . . (373-8500-00)	2	
	AN340C2	NUT, HEX, 2-56, SST (313-0037-00) . . . . .	2	
		-----*-----		
-3	6885-000-000	RETAINER, Front shockmount Fed Mfr Code 81860 . . . (200-0556-00) (ATTACHING PARTS)	2	
	COML	RIVET, FH, 0.125 IN. DIA X 0.375 IN. LG, AL alloy Fed . Mfr Code 12014 (305-9009-00) -----*-----	4	
-4	506-7514-002	PIN, Locating, rear . . . . . (ATTACHING PARTS)	2	
	506-7511-002	NUT, Square, 1/2 -32, SST . . . . .	2	
		-----*-----		
-5	506-7516-003	CAP, Filter box . . . . . (ATTACHING PARTS)	1	
	MS35216-27	SCREW, Machine, cross recessed pan HD, 6-32 X 1/2 IN. . LG, SST (343-0171-00)	2	F
	MS35216-24	SCREW, Machine, cross recessed pan HD, 6-32 X 5/16 . . IN. LG, SST (343-0168-00)	2	G
	COML	WASHER, Lock, 0.143 ID, 0.205 OD, 0.031 IN. THK, SST . . Fed Mfr Code 78189 (310-0071-00) -----*-----	2	
-6	506-7748-005	BOX ASSY, Filter (See figure 2-59). . . . .	1	F
-6	540-5219-005	BOX ASSY, Filter (See figure 2-59). . . . . (ATTACHING PARTS)	1	G
	MS35200-13	SCREW, Machine, cross recessed FH, 4-40 X 5/16 IN. . . LG, SST (342-0045-00)	4	F
	MS35200-27	SCREW, Machine, cross recessed FH, 6-32 X 1/2 IN. LG, . SST (342-0064-00) -----*-----	4	G
-7	506-7747-005	TRAY, Shockmount . . . . .	1	F
-7	540-5220-005	TRAY, Shockmount . . . . .	1	G
59-	506-7748-005	BOX ASSY, Filter (See figure 58-6 for next higher ASSY) . . (Effective Shockmount No MOD, MOD-1 thru MOD-3)	1	F
59-	540-5219-005	BOX ASSY, Filter (See figure 58-6 for next higher ASSY) . . (Effective Shockmount No MOD, MOD-1 thru MOD-3)	1	G
-1	506-7517-003	COVER, Filter box . . . . . (ATTACHING PARTS)	1	
	MS35198-2	SCREW, Machine, cross recessed FH, 2-56 X 3/16 IN. LG, . BRS, NI PL (342-0142-00) -----*-----	24	
-2	240-0023-00	COIL, RF, 400 UH . . . . .	40	
-3	A16874CY	COIL, RF, 9 UH Fed Mfr Code 72354 . . . . . (240-0026-00)	2	
-4	913-1476-00	CAPACITOR, Fixed, ceramic dielectric, 1000 UUF, 500 V .	84	
-5	26-190(32)-1	CONNECTOR, Receptacle, 32 female CONT Fed Mfr . . . Code 89709 (372-1133-00) (ATTACHING PARTS)	2	
	MS35216-15	SCREW, Machine, cross recessed pan HD, 4-40 X 7/16. . . IN. LG, SST (343-0136-00)	4	
	506-4289-001	BUSHING, For connector . . . . .	4	
	1024	TERMINAL, Lug, BRS or COP Fed Mfr Code 77147 . . . (304-0140-00)	2	

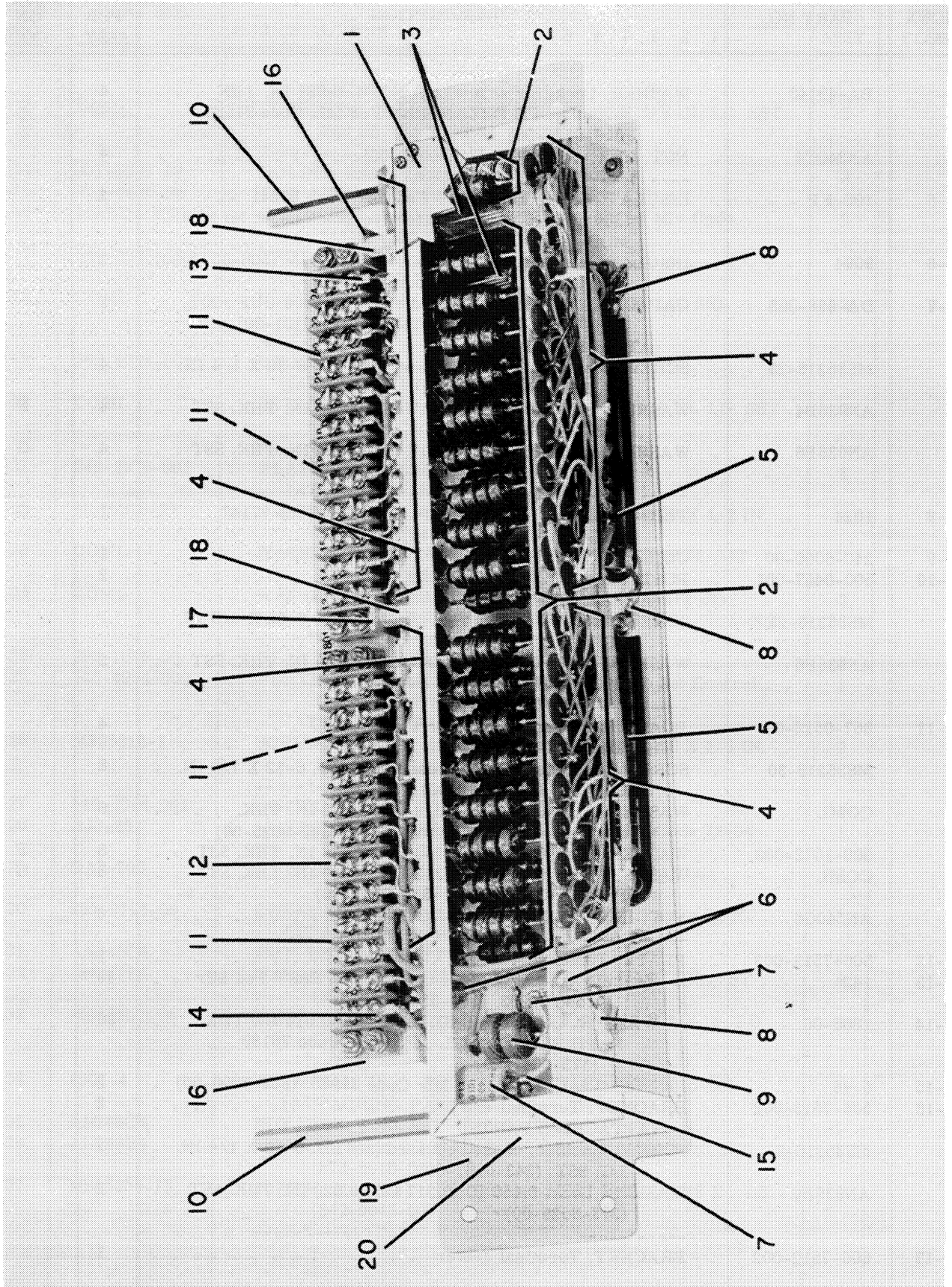


Figure 59. Filter Box Assembly (No MOD, MOD-1 thru MOD-3)

Section II  
Group Assembly Parts List

T.O. 12R2-4-6-4

FIG. & INDEX NO.	PART NO.	DESCRIPTION 1 2 3 4 5 6 7	UNITS PER ASSY.	USABLE ON CODE
59-	BA-49143	. WASHER, Lock, for screw size NO. 4, 0.031 IN. THK . . . material, PH BRZ, NI PL Fed Mfr Code 97580 (310-0121-00)	4	
	AN340C4	. NUT, HEX, 4-40, SST (313-0043-00) . . . . . -----*-----	4	
-6	106-FP	. INSULATOR, Feedthru, RD Fed Mfr Code 83241 . . . . . (306-0060-00) (Used effective Shockmount No MOD, MOD-1, MOD-2)	2	
-6	9094	. INSULATOR, Feedthru Fed Mfr Code 78616 (306-0072-00) (Used effective Shockmount MOD-3)	2	
-7	DA-858-003	. CAPACITOR, Fixed, ceramic dielectric, 1000 UUF ±20%, . 5000 V Fed Mfr Code 71590 (913-0101-00) (ATTACHING PARTS)	2	
	MS35216-23	. SCREW, Machine, cross recessed pan HD, 6-32 X 1/4 IN. . LG, SST (343-0167-00)	4	
	AN936B4	. WASHER, Lock, 0.150 ID, 0.317 OD, 0.020 IN. THK, SST . . (373-8010-00)	4	F
	AN936B6	. WASHER, Lock, 0.150 ID, 0.317 OD, 0.020 IN. THK, SST . . (373-8020-00) -----*-----	4	G
-8	1024	. TERMINAL, Lug, BRS or COP Fed Mfr Code 77147 . . . (304-0140-00)	1	G
-9	240-6000-00	. COIL, RF, 208 UH . . . . .	1	
-10	500-0457-001	. POST, Supporting . . . . . (ATTACHING PARTS)	2	
	MS35216-25	. SCREW, Machine, cross recessed pan HD, 6-32 X 3/8 IN. . LG, SST (343-0169-00)	2	
	AN936B6	. WASHER, Lock, 0.150 ID, 0.317 OD, 0.020 IN. THK, SST . . (373-8020-00) -----*-----	2	
-11	367-0518-00	. BOARD, Terminal, connector . . . . . (ATTACHING PARTS)	4	
	MS35216-30	. SCREW, Machine, cross recessed pan HD, 6-32 X 7/8 IN. . LG, SST (343-0175-00)	8	
	COML	. WASHER, Flat, 0.147 ID, 0.312 OD, 0.032 IN. THK, . . . . . corprene Fed Mfr Code 03938 (302-0025-00)	8	
	500-1073-003	. WASHER, Flat, 0.135 ID, 0.250 OD, 0.028 IN. THK, SST . . Fed Mfr Code 79807 (310-0046-00)	8	F
	COML	. WASHER, Flat, 0.147 ID, 0.312 OD, 0.032 IN. THK, SST . . Fed Mfr Code 79807 (310-0046-00)	8	G
	AN340C6	. NUT, HEX, 6-32, SST (313-0045-00) . . . . . -----*-----	8	
-12	506-7519-003	. PLATE, Terminal . . . . .	1	
-13	142	. . TERMINAL, Lug, solder type, tinned BRS Fed Mfr . . Code 79963 (304-6300-00)	48	
-14	1805-00	. . WASHER, Lock, 0.136 ID, 0.280 OD, 0.016 IN. THK, . . PH BRZ, CAD PL Fed Mfr Code 78189 (373-0041-00)	96	
-15	5-#6	. . TERMINAL, Lug Fed Mfr Code 79963 (304-7200-00) .	2	
-16	506-7513-002	. BRACKET, Terminal end . . . . . (ATTACHING PARTS)	2	
	MS35216-23	. SCREW, Machine, cross recessed pan HD, 6-32 X 1/4 IN. . LG, SST (343-0167-00)	2	
	AN936B6	. WASHER, Lock, 0.150 ID, 0.317 OD, 0.020 IN. THK, SST . . (373-8020-00) -----*-----	2	
-17	506-7512-002	. BRACKET, Terminal center . . . . .	1	

FIG. & INDEX NO.	PART NO.	DESCRIPTION							UNITS PER ASSY.	USABLE ON CODE
		1	2	3	4	5	6	7		
		(ATTACHING PARTS)								
	MS35216-23	.	SCREW, Machine, cross recessed pan HD, 6-32 X 1/4 IN. .						2	
	AN936B6	.	LG, SST (343-0167-00)							
		.	WASHER, Lock, 0.150 ID, 0.317 OD, 0.020 IN. THK, SST . .						2	
			(373-8020-00)							
			-----*-----							
-18	500-2749-001	.	POST, Spacing . . . . .						4	
			(ATTACHING PARTS)							
	MS35216-23	.	SCREW, Machine, cross recessed pan HD, 6-32 X 1/4 IN. .						4	
	AN936B6	.	LG, SST (343-0167-00)							
		.	WASHER, Lock, 0.150 ID, 0.317 OD, 0.020 IN. THK, SST . .						4	
			(373-8020-00)							
			-----*-----							
-19	506-7518-003	.	PLATE, Filter face . . . . .						1	F
-19	540-4079-004	.	PLATE, Filter face . . . . .						1	G
			(ATTACHING PARTS)							
	MS35200-13	.	SCREW, Machine, cross recessed FH, 4-40 X 5/16 IN. LG.,						6	F
			SST (342-0045-00)							
	MS35200-13	.	SCREW, Machine, cross recessed FH, 4-40 X 5/16 IN. LG.,						8	G
			SST (342-0045-00)							
	MS35200-12	.	SCREW, Machine, cross recessed FH, 4-40 X 5/16 IN. LG.,						2	G
			SST (342-0044-00)							
			-----*-----							
-20	506-4288-003	.	BOX, Filter . . . . .						1	
60-	522-0147-005		RADIO SET CONTROL 614C-2 (See figure 1-3 for next . . .						REF	
			higher ASSY)							
-1	506-7763-002	.	KNOB, Sens . . . . .						1	
			(ATTACHING PARTS)							
-2	COML	.	SETSCREW, Multiple spline drive, 6-40 X 1/8 IN. LG, SST .						2	
			Fed Mfr Code 08664 (328-0019-00)							
			-----*-----							
-3	540-2750-003	.	PLATE, Dial . . . . .						1	
			(ATTACHING PARTS)							
-4	COML	.	SCREW, Machine, cross recessed pan HD, 2-56 X 7/8 IN. .						4	
			LG, SST Fed Mfr Code 77250 (343-0684-00)							
-5	AN936A2	.	WASHER, Lock, 0.095 ID, 0.185 OD, 0.012 IN. THK, SST .						4	
			(373-8500-00)							
			-----*-----							
-6	506-7760-002	.	PEDESTAL, Control, AL . . . . .						2	
-7	506-9934-002	.	DIAL, Fine, frequency . . . . .						1	
			(ATTACHING PARTS)							
-8	COML	.	SETSCREW, Multiple spline drive, 6-40 X 1/8 IN. LG, SST .						2	
			Fed Mfr Code 08664 (328-0019-00)							
			-----*-----							
-9	506-9927-002	.	DIAL, Scale . . . . .						1	
			(ATTACHING PARTS)							
-10	MS35200-2	.	SCREW, Machine, cross recessed FH, 2-56 X 3/16 IN. .						3	
			LG (342-0132-00)							
			-----*-----							
-11	506-7762-002	.	KNOB, Set screw type . . . . .						1	
-12	506-8803-003	.	DIAL, Control, knob type . . . . .						1	

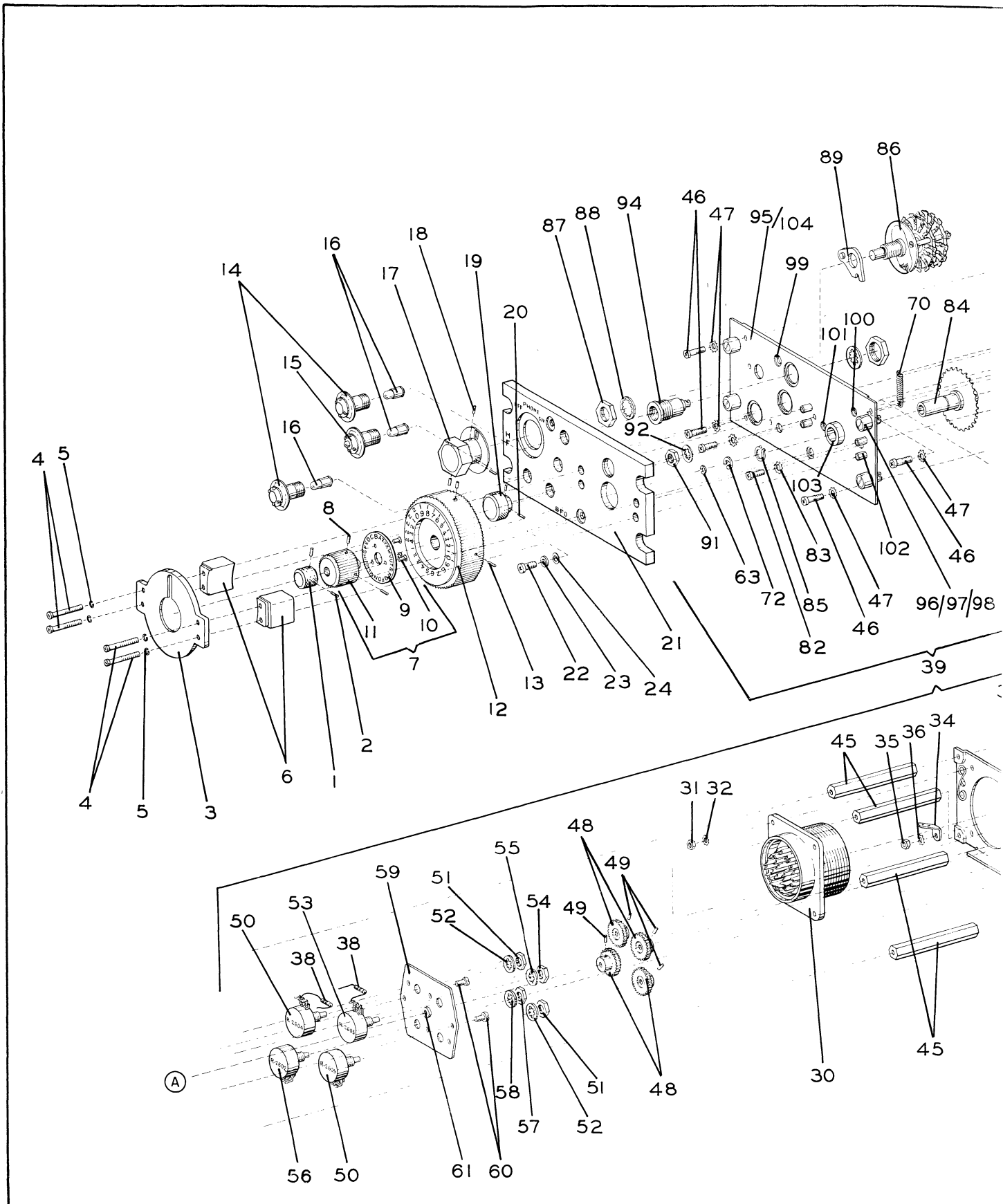


Figure 60. Radio Set Control 614C-2

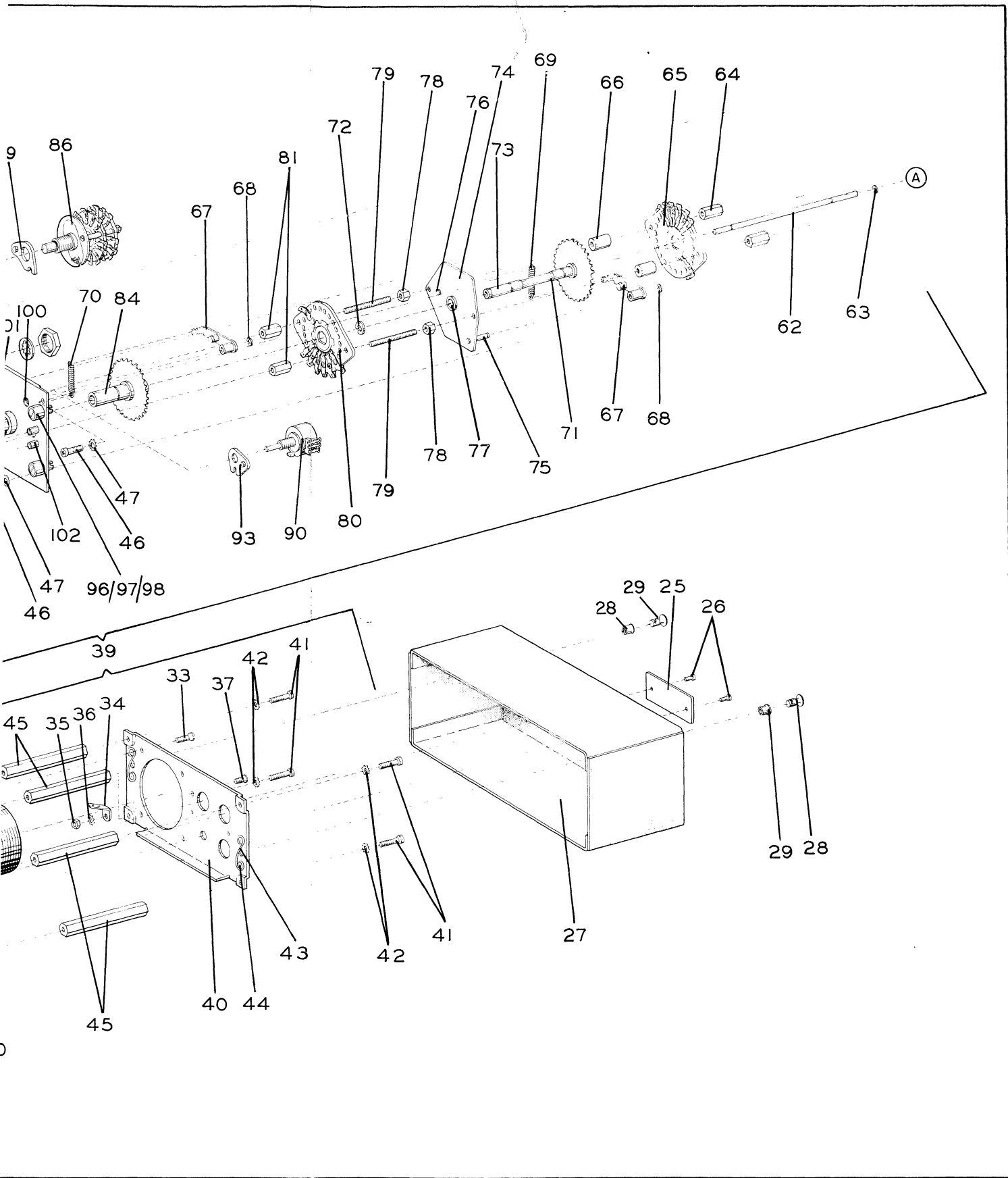


FIG. & INDEX NO.	PART NO.	DESCRIPTION							UNITS PER ASSY.	USABLE ON CODE
		1	2	3	4	5	6	7		
60-13	COML	(ATTACHING PARTS)							2	
		. SETSCREW, Multiple spline drive, 6-40 X 1/8 IN. LG, SST . Fed Mfr Code 08664 (328-0019-00)								
		-----*-----								
-14	262-0335-00	. HOLDER ASSY, Lamp, for T-1-3/4 bulb . . . . .							2	
-15	262-0430-00	. CAP ASSY, Light, used W/T-1-3/4 bulb . . . . .							1	
-16	MAZDA #327	. LAMP, Incandescent, 28 V, 0.04 AMP Fed Mfr Code . . . 24446 (262-0179-00)							3	
-17	540-4046-002	. KNOB, Set screw type . . . . .							1	
		(ATTACHING PARTS)								
-18	COML	. SETSCREW, Multiple spline, 8-36 X 1/8 IN. LG, SST . . . Fed Mfr Code 08664 (328-0020-00)							2	
		-----*-----								
-19	540-4034-002	. KNOB, BFO, set screw type . . . . .							1	
		(ATTACHING PARTS)								
-20	COML	. SETSCREW, Multiple spline drive, 6-40 X 1/8 IN. LG, SST . Fed Mfr Code 08664 (328-0019-00)							2	
		-----*-----								
-21	540-2579-003	. PLATE, Control, lighting . . . . .							1	
		(ATTACHING PARTS)								
-22	MS35216-27	. SCREW, Machine, cross recessed pan HD, 6-32 X 1/2 IN. . LG, SST (343-0036-00)							2	
-23	COML	. WASHER, Flat, 0.147 ID, 0.312 OD, 0.032 IN. THK, SST . . Fed Mfr Code 79807 (310-0046-00)							2	
-24	COML	. WASHER, Nonmetallic, corprene, 0.147 ID, 0.312 OD, . . . 0.032 IN. THK Fed Mfr Code 03938 (302-0025-00)							2	
		-----*-----								
-25	280-1058-00	. PLATE, Identification . . . . .							1	
-25	545-4084-002	. PLATE, Identification (Used effective Radio Set Control, . . Contract AF 33(600)38251)							1	
		(ATTACHING PARTS)								
-26	MS35216-1	. SCREW, Machine, cross recessed pan HD, 2-56 X 1/8 IN. . LG (343-0122-00)							2	
		-----*-----								
-27	540-4044-002	. COVER, Dust, AL . . . . .							1	
-28	AJ3-30	. . STUD, Turnlock fastener, STL Fed Mfr Code 72794 . . (012-1151-00)							1	
-29	GA3-200	. . EYELET, Turnlock fastener, AL Fed Mfr Code . . . . 72794 (012-1162-00)							2	
-30	357-9195-00	. CONNECTOR, Receptacle, electrical, 35 RD male CONT . . (ATTACHING PARTS)							1	
-31	AN340C4	. NUT, HEX, 4-40, SST (313-0043-00). . . . .							4	
-32	AN936B4	. WASHER, Lock, 0.123 ID, 0.255 OD, 0.016 IN. THK, SST . . (373-8010-00)							4	
-33	MS35200-14	. SCREW, Machine, cross recessed FH, 4-40 X 3/8 IN. LG . . (342-0046-00)							4	
		-----*-----								
-34	4007-4	. TERMINAL, Lug Fed Mfr Code 77147 (304-0015-00) . . . (ATTACHING PARTS)							1	
-35	AN340C4	. NUT, HEX, 4-40, SST (313-0043-00). . . . .							1	
-36	AN936B4	. WASHER, Lock, 0.123 ID, 0.255 OD, 0.016 IN. THK, SST . . (373-8010-00)							1	
-37	MS35200-13	. SCREW, Machine, cross recessed FH, 4-40 X 5/16 IN. LG, . (342-0045-00)							1	
		-----*-----								

Section II  
Group Assembly Parts List

T.O. 12R2-4-6-4

FIG. & INDEX NO.	PART NO.	DESCRIPTION	UNITS PER ASSY.	USABLE ON CODE		
					1	2
60-38	RC20GF301J	. RESISTOR, Fixed, COMP, 300 ohm $\pm$ 5%, 1/2 W . . . . . (MIL-R-11) (745-1329-00)	2			
-39	540-4053-004	. CONTROL UNIT, Subassembly . . . . .	1			
-40	540-4040-002	. . PLATE, Rear, riveted. . . . . (ATTACHING PARTS)	1			
-41	MS35216-27	. . SCREW, Machine, cross recessed pan HD, 6-32 X 1/2 . IN. LG, SST (343-0171-00)	4			
-42	COML	. . WASHER, Lock, 0.141 ID, 0.239 OD, 0.025 IN. THK, SST. Fed Mfr Code 78189 (310-0071-00) -----*-----	4			
-43	S3-150	. . . LOCKSPRING, Turnlock fastener, music wire . . . . . Fed Mfr Code 72794 (012-1194-00)	2			
-44	R-4008	. . . RIVET, Tubular, AL Fed Mfr Code 12014 . . . . . (305-0008-00)	4			
-45	540-4021-002	. . STANDOFF, AL . . . . . (ATTACHING PARTS)	4			
-46	MS35216-27	. . SCREW, Machine, cross recessed pan HD, 6-32 X 1/2 . IN. LG, SST (343-0171-00)	4			
-47	AN936B6	. . WASHER, Lock, 0.150 ID, 0.317 OD, 0.020 IN. THK, . . SST (373-8020-00) -----*-----	4			
-48	540-4038-002	. . GEAR, Spur, 40 teeth . . . . . (ATTACHING PARTS)	4			
-49	COML	. . SETSCREW, Multiple spline drive, 6-40 X 1/8 IN. LG, . SST Fed Mfr Code 08664 (328-0019-00) -----*-----	4			
-50	380-6886-00	. . RESISTOR, Variable, COMP, 5000 ohm $\pm$ 20%, 1/8 W . . (ATTACHING PARTS)	2			
-51	502-1157-002	. . NUT, Plain, HEX, 1/4-32, 0.437 IN. HEX X 0.093 IN. H .	2			
-52	AN936A416	. . WASHER, Lock, 0.267 ID, 0.478 OD, 0.025 IN. THK . . . (373-0005-00) -----*-----	2			
-53	380-6885-00	. . RESISTOR, Variable, COMP, 5000 ohm $\pm$ 20%, 1/8 W . . (ATTACHING PARTS)	1			
-54	502-1157-002	. . NUT, Plain, HEX, 1/4-32, 0.437 IN. HEX X 0.093 IN. H .	1			
-55	AN936A416	. . WASHER, Lock, 0.267 ID, 0.478 OD, 0.025 IN. THK . . . (373-0005-00) -----*-----	1			
-56	380-6883-00	. . RESISTOR, Variable, COMP, 150 ohm $\pm$ 10%, 1/2 W . . . (ATTACHING PARTS)	1			
-57	502-1157-002	. . NUT, Plain, HEX, 1/4-32, 0.437 IN. HEX X 0.093 IN. H .	1			
-58	AN936A416	. . WASHER, Lock, 0.267 ID, 0.478 OD, 0.025 IN. THK . . . (373-0005-00) -----*-----	1			
-59	540-4052-002	. . PLATE, Resistor, AL . . . . . (ATTACHING PARTS)	1			
-60	COML	. . SCREW, Machine, cross recessed pan HD, 5-40 X 1/4 IN. LG, SST Fed Mfr Code 77250 (343-0008-00) -----*-----	2			
-61	540-4027-002	. . . BEARING, Sleeve . . . . .	1			
-62	540-4029-002	. . SHAFT, Inner . . . . . (ATTACHING PARTS)	1			
-63	5133-12-S	. . RING, Retaining, 0.094 ID, 0.015 IN. THK, STL Fed . . Mfr Code 79136 (340-0087-00) -----*-----	2			
-64	540-4037-002	. . NUT, Plain, HEX, 1/4 IN. HEX X 0.531 IN. LG, AL . . .	2			



FIG. & INDEX NO.	PART NO.	DESCRIPTION							UNITS PER ASSY.	USABLE ON CODE
		1	2	3	4	5	6	7		
60-65	269-1652-00	.	.	SWITCH SECTION, Rotary, 2 moving, 12 fixed CONT, . . .					1	
				2 P						
-66	541-1486-002	.	.	SPACER, Sleeve, AL, 0.128 ID, 0.312 OD, 0.468 IN. LG .					2	
-67	540-4043-002	.	.	ARM, Detent, STL, BRS post . . . . .					2	
				(ATTACHING PARTS)						
-68	5133-12-S	.	.	RING, Retaining, 0.094 ID, 0.015 IN. THK, STL Fed . .					2	
				Mfr Code 79136 (340-0087-00)						
-69	506-7779-002	.	.	SPRING, Helical extension, STL . . . . .					1	
-70	540-4024-002	.	.	SPRING, Helical extension, STL . . . . .					1	
				-----*-----						
-71	540-4045-002	.	.	SHAFT, Detent, center . . . . .					1	
				(ATTACHING PARTS)						
-72	5103-25-S	.	.	RING, Retaining, 0.214 ID, 0.025 IN. THK, STL Fed . .					2	
				Mfr Code 79136 (340-0114-00)						
				-----*-----						
-73	540-4027-002	.	.	BEARING, Sleeve, inner . . . . .					1	
-74	540-4041-002	.	.	PLATE, Mounting, rear, AL . . . . .					1	
-75	540-4022-002	.	.	PIN, Shouldered, headless, STL . . . . .					1	
-76	540-4023-002	.	.	PIN, Shouldered, headless, STL . . . . .					1	
-77	540-4026-002	.	.	BEARING, Sleeve, center . . . . .					1	
-78	540-4036-002	.	.	NUT, Plain, HEX, AL, 1/4 IN. HEX X 3/16 IN. LG, . . .					2	
				tapped 5-40						
-79	500-6430-001	.	.	STUD, Continuous thread, 5-40 X 1.250 IN., AL . . . .					2	
-80	269-1635-00	.	.	SWITCH SECTION, Rotary, 2 moving, 13 fixed CONT, . .					1	
				2 P						
-81	540-4035-002	.	.	NUT, Plain, HEX, AL, 1/4 IN. HEX X 0.468 IN. LG, . .					2	
				5-40 THD						
				(ATTACHING PARTS)						
-82	COML	.	.	SCREW, Machine, cross recessed pan HD, 5-40 X 3/8 .					2	
				IN. LG, SST Fed Mfr Code 77250 (343-0157-00)						
-83	COML	.	.	WASHER, Lock, 0.136 ID, 0.280 OD, 0.016 IN. THK, . .					2	
				SST Fed Mfr Code 78189 (373-0039-00)						
				-----*-----						
-84	540-2744-002	.	.	SHAFT, Detent, outer . . . . .					1	
				(ATTACHING PARTS)						
-85	NAS-51-37	.	.	RING, Retaining, split R type, 0.338 ID, 0.026 IN. THK .					1	
				Fed Mfr Code 79136 (340-0013-00)						
				-----*-----						
-86	61448-F2	.	.	SWITCH, Rotary, 8 moving, 24 fixed CONT, 8 P Fed .					1	
				Mfr Code 76854 (259-0652-00)						
				(ATTACHING PARTS)						
-87	COML	.	.	NUT, Plain, HEX, 3/8-32, 9/16 IN. HEX X 3/32 . . . .					1	
				IN. THK, SST Fed Mfr Code 77250 (313-0064-00)						
-88	AN936A616	.	.	WASHER, Lock, 0.391 ID, 0.507 OD, 0.022 IN. THK, . .					1	
				STL (373-0081-00)						
-89	505-5700-002	.	.	SPACER, Switch, AL . . . . .					1	
				-----*-----						
-90	380-0891-00	.	.	RESISTOR, Variable, COMP, 10,000 ohm ±10%, 1/2 W. .					1	
				(ATTACHING PARTS)						
-91	502-1157-002	.	.	NUT, Plain, HEX, 1/4-32, 0.437 IN. HEX X 0.093 IN. H .					1	
-92	AN936A416	.	.	WASHER, Lock, 0.267 ID, 0.478 OD, 0.025 IN. THK . . .					1	
				(373-0005-00)						
-93	540-2740-002	.	.	SPACER, Resistor, AL . . . . .					1	
				-----*-----						
-94	262-0348-00	.	.	MOUNTING BASE, Indicator light, accommodates . . .					3	
				T-1-3/4 IN. bulb						

Section II  
Group Assembly Parts List

T.O. 12R2-4-6-4

FIG. & INDEX NO.	PART NO.	DESCRIPTION							UNITS PER ASSY.	USABLE ON CODE
		1	2	3	4	5	6	7		
60-95	540-4049-003	.	.	.	.	.	.	.	1	
-96	PF-3-1/2-38	.	.	.	.	.	.	.	4	
-97	PS-3-1/2	.	.	.	.	.	.	.	4	
-98	PC-3-1/2	.	.	.	.	.	.	.	4	
-99	68NC2-62	.	.	.	.	.	.	.	2	
-100	540-4022-002	.	.	.	.	.	.	.	1	
-101	540-4023-002	.	.	.	.	.	.	.	1	
-102	540-4030-002	.	.	.	.	.	.	.	4	
-103	540-4031-002	.	.	.	.	.	.	.	1	
-104	540-2746-003	.	.	.	.	.	.	.	1	
61-	522-0053-006	DYNAMOTOR-POWER SUPPLY 416W-1, Front view (See figure 1-4 for next higher ASSY) (Also see figures 62 and 63) (Effective Power Supply No MOD, MOD-1 thru MOD-9)							REF	
-1	F02G2R00A	.	.	.	.	.	.	.	2	
-2	HKP-HJR	.	.	.	.	.	.	.	2	
-3	PM-40	.	.	.	.	.	.	.	1	
		(ATTACHING PARTS)								
	MS35216-29	.	.	.	.	.	.	.	2	
		-----*-----								
-4	SK-7851	.	.	.	.	.	.	.	1	
		(ATTACHING PARTS)								
	MS35216-29	.	.	.	.	.	.	.	2	
		-----*-----								
-5	F02GR500A	.	.	.	.	.	.	.	2	
		(Used effective Power Supply No MOD)								
-5	F02G1R00A	.	.	.	.	.	.	.	2	
		(Used effective Power Supply MOD-1 thru MOD-9)								
-6	HKP-HJR	.	.	.	.	.	.	.	2	
-7	506-6862-002	.	.	.	.	.	.	.	1	
		(ATTACHING PARTS)								
	COML	.	.	.	.	.	.	.	2	
		(313-0082-00)								
	COML	.	.	.	.	.	.	.	2	
		Fed Mfr Code 78189 (310-0288-00)								
	504-8640-001	.	.	.	.	.	.	.	2	
		-----*-----								
-8	503-4970-001	.	.	.	.	.	.	.	2	
		(ATTACHING PARTS)								
	AN340C-6	.	.	.	.	.	.	.	4	
	AN936B6	.	.	.	.	.	.	.	4	
		(373-8020-00)								

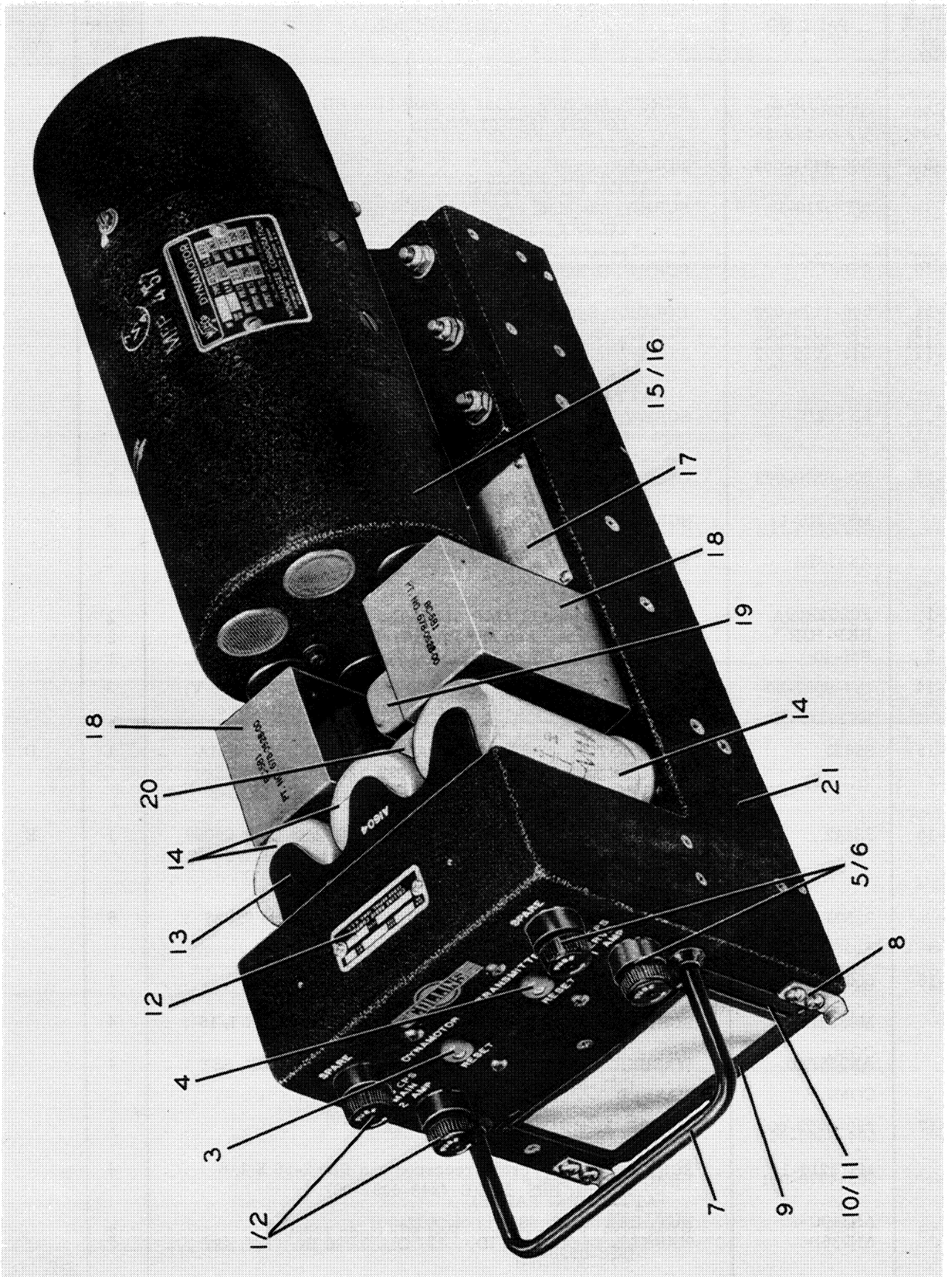


Figure 61. Dynamotor-Power Supply 416W-1 (No MOD, MOD-1 thru MOD-9)

Section II  
Group Assembly Parts List

T.O. 12R2-4-6-4

FIG. & INDEX NO.	PART NO.	DESCRIPTION	UNITS PER ASSY.	USABLE ON CODE		
					1	2
61-	MS35216-25	. SCREW, Machine, cross recessed pan HD, 6-32 X 3/8 IN. . LG, SST (343-0169-00) -----*-----	4			
-9	506-1177-002	. HOLDER, Card . . . . . (ATTACHING PARTS)	1			
	MS35216-1	. SCREW, Machine, cross recessed pan HD, 2-56 X 1/8 IN. . LG, SST (343-0667-00) -----*-----	5			
-10	COML	. SCREW, Drive, STL, RD HD, NO. 00 X 1/8 IN. LG Fed . Mfr Code 45722 (330-2010-00)	2			
-11	506-1178-002	. HOLDER, Spring, card . . . . .	2			
-12	280-1058-00	. PLATE, Identification . . . . .	2			
-12	545-4086-002	. PLATE, Identification (Used effective Dynamotor Power . . Supply, Contract AF 33(600)38251) (ATTACHING PARTS)	1			
	MS35216-1	. SCREW, Machine, cross recessed pan HD, 2-56 X 1/8 IN. . LG, SST (343-0667-00) -----*-----	2			
-13	506-6870-003	. CLIP, Capacitor . . . . . (ATTACHING PARTS)	1			
	MS35216-11	. SCREW, Machine, cross recessed pan HD, 4-40 X 3/16 . . IN. LG, SST (343-0132-00)	2			
	AN936B4	. WASHER, Lock, 0.123 ID, 0.255 OD, 0.016 IN. THK, SST . . (373-8010-00) -----*-----	2			
-14	CE52C300Q	. CAPACITOR, Fixed, ELECT, 30 UUF -10% +250%, 400 V . (JAN-C-62) (184-0072-00) (Used effective Power Supply No MOD, MOD-1)	3			
-14	184-9007-00	. CAPACITOR, Fixed, ELECT, 30 UUF -10% +250%, 400 V, . rubber or plastic covered case (Used effective Power Supply MOD-2 thru MOD-9)	3			
-15	SS625	. DYNAMOTOR, 27.5 V at 5.75 AMP, 600 V DC at 550 MA . output, Fed Mfr Code 66099 (231-0109-00) (See figure 63) (Used effective Power Supply MOD-8 and MOD-9)	1	D		
-15	SS442	. DYNAMOTOR, Plate voltage supply Fed Mfr Code 66099 . (231-0062-00) (See figure 63) (Used effective Power Supply No MOD, MOD-1 thru MOD-7) (ATTACHING PARTS)	1	E		
	22NM-02	. NUT, Lock, 10-32, STL, CAD PL Fed Mfr Code 72926 . . (333-0385-00) -----*-----	6			
-16	506-6877-004	. MOUNTING, Dynamotor . . . . . (ATTACHING PARTS)	1			
	MS35217-54	. SCREW, Machine, cross recessed pan HD, 10-32 X 7/16 . . IN. LG, SST (343-0227-00)	4			
	AN936B10	. WASHER, Lock, 0.204 ID, 0.406 OD, 0.022 IN. THK, SST . . (373-8040-00) -----*-----	4			
-17	280-0458-00	. PLATE, Identification, "Patent Notice" . . . . . (ATTACHING PARTS)	1			
	MS35214-1	. SCREW, Machine, cross recessed pan HD, 2-56 X 1/8 . . . IN. LG, BRS, NI PL (343-0297-00) -----*-----	4			
-18	15052	. REACTOR, Filter choke Fed Mfr Code 12080 . . . . . (678-0528-00)	2			

FIG. & INDEX NO.	PART NO.	DESCRIPTION							UNITS PER ASSY.	USABLE ON CODE
		1	2	3	4	5	6	7		
		(ATTACHING PARTS)								
	AN340C-6	.	NUT, HEX, 6-32, SST (313-0002-00)	.	.	.	.	8		
	AN936B6	.	WASHER, Lock, 0.150 ID, 0.317 OD, 0.020 IN. THK, SST (373-8020-00)	.	.	.	.	8		
	507-6744-00	.	STRAP, Retaining, STL, CAD PL	.	.	.	.	1		
		-----*-----								
-19	22300-52	.	RELAY, Armature, CONT arrangement 2A Fed Mfr Code 80089 (974-0216-00)	.	.	.	.	1		
		(ATTACHING PARTS)								
	AN340C4	.	NUT, HEX, 4-40, SST (313-0043-00)	.	.	.	.	3		
	AN936B4	.	WASHER, Lock, 0.123 ID, 0.255 OD, 0.016 IN. THK, SST (373-8010-00)	.	.	.	.	3		
		-----*-----								
-20	22300-45	.	RELAY, Armature, CONT arrangement 2A Fed Mfr Code 80089 (974-0215-00)	.	.	.	.	1		
		(ATTACHING PARTS)								
	AN340C4	.	NUT, HEX, 4-40, SST (313-0043-00)	.	.	.	.	3		
	AN936B4	.	WASHER, Lock, 0.123 ID, 0.255 OD, 0.016 IN. THK, SST (373-8010-00)	.	.	.	.	3		
		-----*-----								
-21	506-6879-004	.	CHASSIS, Power supply	.	.	.	.	1		
62-	522-0053-006	.	DYNAMOTOR-POWER SUPPLY 416W-1, Bottom view (See figure 1-4 for next higher ASSY) (Also see figure 61) (Effective Power Supply No MOD, MOD-1 thru MOD-9)	.	.	.	.	REF		
-1	506-6880-004	.	PLATE, Bottom	.	.	.	.	1		
		(ATTACHING PARTS)								
	MS35216-13	.	SCREW, Machine, cross recessed pan HD, 4-40 X 5/16 IN. LG, SST (343-0134-00)	.	.	.	.	4		
	AN936B4	.	WASHER, Lock, 0.123 ID, 0.255 OD, 0.016 IN. THK, SST (373-8010-00)	.	.	.	.	4		
		-----*-----								
-2	506-6878-004	.	BOARD, Terminal, power supply (Used effective Power Supply No MOD, MOD-1 thru MOD-8)	.	.	.	.	1		
-2	542-5647-004	.	BOARD, Terminal, power supply (Used effective Power Supply MOD-9)	.	.	.	.	1		
		(ATTACHING PARTS)								
	MS35200-14	.	SCREW, Machine, cross recessed FH, 4-40 X 3/8 IN. LG, SST (342-0046-00)	.	.	.	.	3		
		-----*-----								
-3	6RS 20GH10 BB1	.	RECTIFIER, Metallic, selenium Fed Mfr Code 24446 (353-0123-00)	.	.	.	.	1		
		(ATTACHING PARTS)								
	AN340B4	.	NUT, HEX, 4-40, BRS, NI PL (313-0051-00)	.	.	.	.	1		
	MS35214-13	.	SCREW, Machine, cross recessed pan HD, 4-40 X 5/16 IN. LG, BRS, NI PL (343-0286-00)	.	.	.	.	1		
	506-6867-002	.	CLAMP, Rectifier	.	.	.	.	1		
		-----*-----								
-4	747-9397-00	.	RESISTOR, Fixed, W W, 5000 ohm ±3%, 5 W	.	.	.	.	2		
-5	502-9589-001	.	POST, Supporting	.	.	.	.	3		
		(ATTACHING PARTS)								
	MS35214-14	.	SCREW, Machine, cross recessed pan HD, 4-40 X 3/8 IN. LG, BRS, NI PL (343-0287-00)	.	.	.	.	3		
		-----*-----								

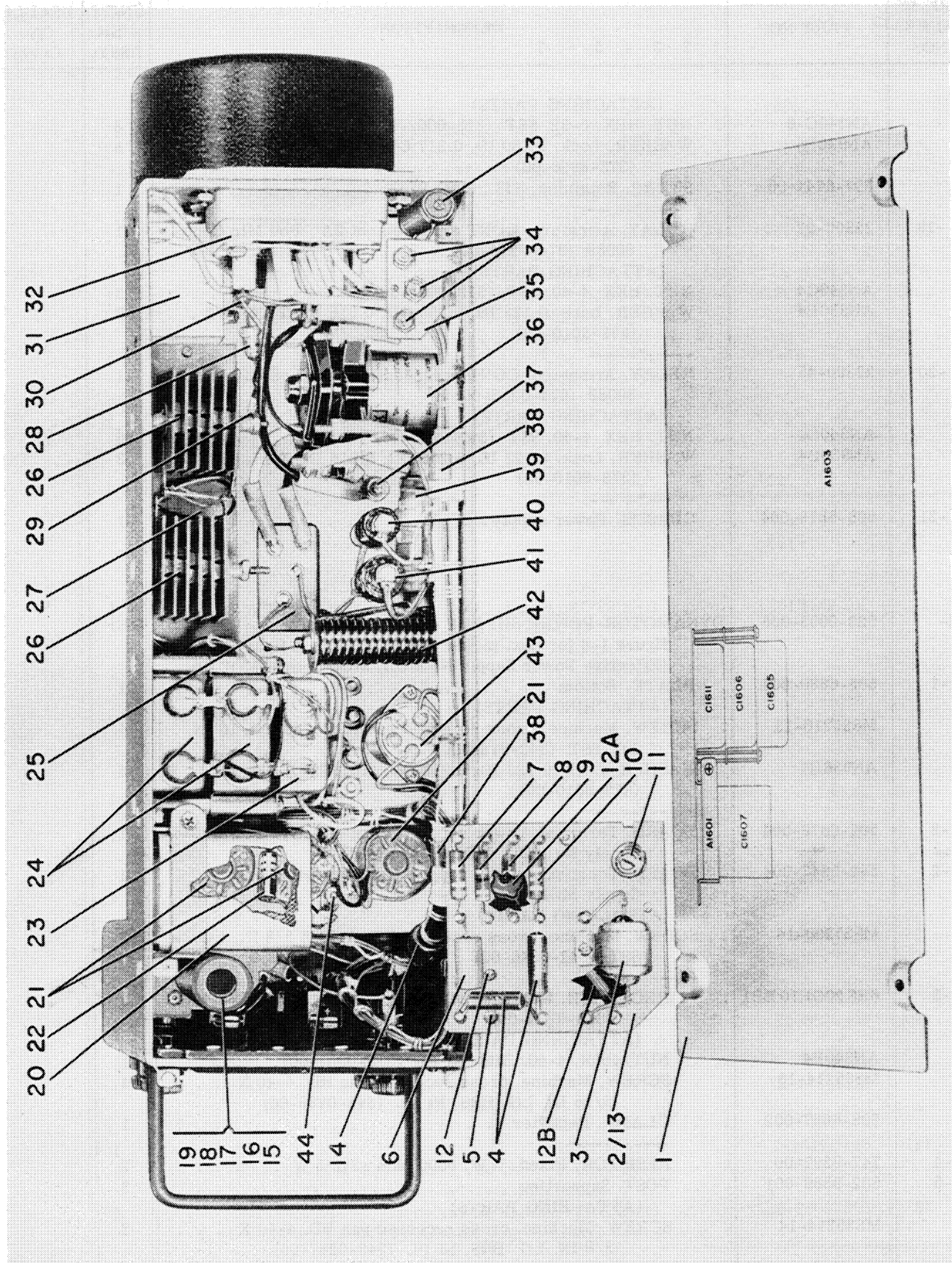


Figure 62. Dynamotor-Power Supply 416W-1, Bottom View (No MOD, MOD-1 thru MOD-9)

FIG. & INDEX NO.	PART NO.	DESCRIPTION							UNITS PER ASSY.	USABLE ON CODE
		1	2	3	4	5	6	7		
62-6	86P68303S1	.	.	CAPACITOR, Fixed, paper dielectric, 68,000 UUF . . .				1		
				±20%, 300 V Fed Mfr Code 56289 (931-0533-00)						
-7	RC32GF392K	.	.	RESISTOR, Fixed, COMP, 3900 ohm ±10%, 1 W . . . . .				1		
				(MIL-R-11) (745-3377-00)						
-8	RC32GF330K	.	.	RESISTOR, Fixed, COMP, 33 ohm ±10%, 1 W . . . . .				1		
				(MIL-R-11) (745-3289-00)						
-9	RC30BF153K	.	.	RESISTOR, Fixed, COMP, 15,000 ohm ±10%, 1 W . . . . .				1		
				(MIL-R-11) (745-3135-00) (Used effective Power Supply No MOD, MOD-1, MOD-2)						
-9	RC32GF332K	.	.	RESISTOR, Fixed, COMP, 3300 ohm ±10%, 1 W . . . . .				1		
				(MIL-R-11) (745-3373-00) (Used effective Power Supply MOD-3)						
-9	RC32GF562K	.	.	RESISTOR, Fixed, COMP, 5600 ohm ±10%, 1 W . . . . .				1		
				(MIL-R-11) (745-3384-00) (Used effective Power Supply MOD-4 thru MOD-8)						
-9	RC32GF272K	.	.	RESISTOR, Fixed, COMP, 2700 ohm ±10%, 1 W . . . . .				1		
				(MIL-R-11) (745-3370-00) (Used effective Power Supply MOD-9)						
-10	RC30BF223K	.	.	RESISTOR, Fixed, COMP, 22,000 ohm ±10%, 1 W . . . . .				1		
				(MIL-R-11) (745-3142-00) (Used effective Power Supply No MOD, MOD-1, MOD-2)						
-10	RC32GF183K	.	.	RESISTOR, Fixed, COMP, 18,000 ohm ±10%, 1 W . . . . .				1		
				(MIL-R-11) (745-3405-00) (Used effective Power Supply MOD-3 thru MOD-8)						
-10	RC32GF163J	.	.	RESISTOR, Fixed, COMP, 16,000 ohm ±5%, 1 W . . . . .				1		
				(MIL-R-11) (745-3403-00) (Used effective Power Supply MOD-9)						
-11	380-5257-00	.	.	RESISTOR, Variable, COMP, 2500 ohm ±20%, 1 W . . . . .				1		
				(Used effective Power Supply No MOD, MOD-1 thru MOD-8)						
-11	380-5255-00	.	.	RESISTOR, Variable, COMP, 5000 ohm ±20%, 1 W . . . . .				1		
				(Used effective Power Supply MOD-9)						
	COML	.	.	NUT, Lock, 3/8 -32, BRS, NI PL Fed Mfr Code . . . . .				1		
				77250 (334-0444-00)						
	COML	.	.	NUT, HEX, 3/8-32, STL, CAD PL Fed . . . . .				1		
				Mfr Code 77250 (334-4062-00)						
				-----*-----						
-12	1066	.	.	CLAMP, Cable Fed Mfr Code 71785 (139-0264-00) . . . . .				1		
				(ATTACHING PARTS)						
	AN340C4	.	.	NUT, HEX, 4-40, SST (313-0043-00) . . . . .				1		
	MS35200-13	.	.	SCREW, Machine, cross recessed FH, 4-40 X 5/16 . . . . .				1		
				IN. LG, SST (342-0045-00)						
				-----*-----						
-12A	MP-206-32-B	.	.	COIL, RF, 1200 UH Fed Mfr Code 88063 (240-0288-00)				1		
				(Used effective Power Supply MOD-9)						
				(ATTACHING PARTS)						
	MS35214-27	.	.	SCREW, Machine, cross recessed pan HD, 6-32 X . . . . .				1		
				1/2 IN. LG, BRS, NI PL (343-0332-00)						
				-----*-----						
-12B	81P22401S2	.	.	CAPACITOR, Fixed, paper dielectric, 0.22 UF ±20%, . . . . .				1		
				100 V Fed Mfr Code 56289 (931-0885-00)						
				(Used effective Power Supply MOD-9)						
-13	506-6869-003	.	.	BOARD, Terminal, power supply (Used effective . . . . .				1		
				Power Supply No MOD, MOD-1 thru MOD-8)						

Section II  
Group Assembly Parts List

T.O. 12R2-4-6-4

FIG. & INDEX NO.	PART NO.	DESCRIPTION	UNITS PER ASSY.	USABLE ON CODE		
					1	2
62-13	542-5646-003	. . BOARD, Terminal, power supply (Used effective . . . . Power Supply MOD-9)	1			
-14	A3044A-3-92	. CLAMP, Cable Fed Mfr Code 89032 (139-4400-00). . . . (ATTACHING PARTS)	1			
	AN340C4	. NUT, HEX, 4-40, SST (313-0043-00) . . . . .	1			
	AN936B4	. WASHER, Lock, 0.123 ID, 0.255 OD, 0.016 IN. THK, SST . . (373-8010-00)	1			
	MS35200-14	. SCREW, Machine, cross recessed FH, 4-40 X 3/8 IN. LG, . SST (342-0046-00) -----*-----	1			
-15	TS102U03	. SHIELD, Electron tube, copper or BRS (JAN-S-28A) . . . . (141-0145-00)	1			
-16	402-0219-00	. RELAY, Thermal, SPST, 115 VAC at 6 AMP (Used . . . . . effective Power Supply No MOD, MOD-1, MOD-2)	1			
-16	PW-4097-1	. RELAY, Armature, CONT arrangement 1C Fed Mfr . . . . . Code 77342 (974-0510-00) (Used effective Power Supply MOD-3)	1			
-17	2104-4	. TERMINAL, Lug, PH BRZ, Fed Mfr Code 78189 . . . . . (304-6910-00) (ATTACHING PARTS)	1			
	MS35216-12	. SCREW, Machine, cross recessed pan HD, 4-40 X 1/4 IN. . LG, SST (343-0133-00)	1			
	AN936B4	. WASHER, Lock, 0.123 ID, 0.255 OD, 0.016 IN. THK, SST . . (373-8010-00)	1			
	AN340C4	. NUT, HEX, 4-40, SST (313-0043-00). . . . . -----*-----	1			
-18	TS102P01	. SOCKET, Tube, 7 CONT miniature (JAN-S-28) . . . . . (220-1111-00) (ATTACHING PARTS)	1			
	AN340C4	. NUT, HEX, 4-40, SST (313-0043-00). . . . .	2			
	AN936B4	. WASHER, Lock, 0.123 ID, 0.255 OD, 0.016 IN. THK, SST . . (373-8010-00)	2			
	MS35216-13	. SCREW, Machine, cross recessed pan HD, 4-40 X 5/16 . . IN. LG, SST (343-0134-00) -----*-----	2			
-19	540-1683-003	. BRACKET, Relay . . . . . (ATTACHING PARTS)	1			
	MS35200-13	. SCREW, Machine, cross recessed FH, 4-40 X 5/16 IN. LG,. SST (342-0045-00) -----*-----	2			
-20	930-0524-00	. CAPACITOR, Fixed, paper dielectric, 2 UF ±10%, 1000 V . (ATTACHING PARTS)	1			
	AN340C-6	. NUT, HEX, 6-32, SST (313-0002-00) . . . . .	3			
	AN936B6	. WASHER, Lock, 0.150 ID, 0.317 OD, 0.020 IN. THK, SST . . (373-8020-00)	1			
	COML	. WASHER, Flat, 0.147 ID, 0.375 OD, 0.031 IN. THK, SST . . Fed Mfr Code 79807 (310-6360-00)	2			
	MS35216-25	. SCREW, Machine, cross recessed pan HD, 6-32 X 3/8 . . . . IN. LG, SST (343-0169-00)	1			
	MS35200-25	. SCREW, Machine, cross recessed FH, 6-32 X 3/8 IN. LG, . SST (342-0062-00)	2			
	139-3300-00	. STRAP, MTG . . . . . -----*-----	1			
-21	88-8TM	. SOCKET, Tube, octal Fed Mfr Code 89709 (220-1005-00) .	3			



FIG. & INDEX NO.	PART NO.	DESCRIPTION							UNITS PER ASSY.	USABLE ON CODE
		1	2	3	4	5	6	7		
62-		(ATTACHING PARTS)								
	AN340C4	.	NUT, HEX, 4-40, SST (313-0043-00).	.	.	.	.	6		
	AN936B4	.	WASHER, Lock, 0.123 ID, 0.255 OD, 0.016 IN. THK, SST (373-8010-00)	.	.	.	.	6		
	MS35216-13	.	SCREW, Machine, cross recessed pan HD, 4-40 X 5/16 IN. LG, SST (343-0134-00)	.	.	.	.	5		
	MS35200-14	.	SCREW, Machine, cross recessed FH, 4-40 X 3/8 IN. LG, SST (342-0046-00)	.	.	.	.	1		
	1126	.	STRAP, Retaining, STL, accommodates 5/16 IN. DIA material Fed Mfr Code 71785 (139-0311-00)	.	.	.	.	1		
			-----*-----							
-22	RC42BE823K	.	RESISTOR, Fixed, COMP, 82,000 ohm ±10%, 2 W (MIL-R-11) (745-9178-00)	.	.	.	.	1		
-23	931-2733-00	.	CAPACITOR, Fixed, paper dielectric, 2 UF ±20%, 200 V (ATTACHING PARTS)	.	.	.	.	1		
	MS35216-25	.	SCREW, Machine, cross recessed pan HD, 6-32 X 3/8 IN. LG, SST (343-0169-00)	.	.	.	.	2		
	AN936B6	.	WASHER, Lock, 0.150 ID, 0.317 OD, 0.020 IN. THK, SST (373-8020-00)	.	.	.	.	2		
			-----*-----							
-24	CE63C200J	.	CAPACITOR, Fixed, ELECT, 20 UF -10% +150%, 150 V (JAN-C-62) (184-6527-00)	.	.	.	.	2		
			(ATTACHING PARTS)							
	MS35200-27	.	SCREW, Machine, cross recessed FH, 6-32 X 1/2 IN. LG, SST (342-0064-00)	.	.	.	.	2		
	COML	.	STUD, 6-32 X 3/4 IN. LG, BRS, CAD PL Fed Mfr Code 77250 (312-3080-00)	.	.	.	.	2		
	506-6865-002	.	POST, Supporting	.	.	.	.	4		
			-----*-----							
-25	506-6874-003	.	CONNECTOR ASSY, Male CONT. (ATTACHING PARTS)	.	.	.	.	1		
	MS35216-12	.	SCREW, Machine, cross recessed pan HD, 4-40 X 1/4 IN. LG, SST (343-0133-00)	.	.	.	.	8		
	24	.	TERMINAL, Lug, BRS, Fed Mfr Code 79963 (304-5200-00)	.	.	.	.	2		
	506-6875-003	.	RETAINER, Connector	.	.	.	.	1		
			-----*-----							
-26	6RS5TH47	.	RECTIFIER, Metallic, selenium Fed Mfr Code 24446 (353-0121-00)	.	.	.	.	2		
			(ATTACHING PARTS)							
	AN340C-6	.	NUT, HEX, 6-32, SST (313-0002-00).	.	.	.	.	2		
	AN936A6B	.	WASHER, Lock, 0.150 ID, 0.285 OD, 0.018 IN. THK, SST (373-0001-00)	.	.	.	.	4		
	MS35200-35	.	SCREW, Machine, cross recessed FH, 6-32 X 2 IN. LG, SST (342-0074-00)	.	.	.	.	2		
			-----*-----							
-27	506-6864-002	.	INSULATOR, Plate (ATTACHING PARTS)	.	.	.	.	1		
	MS35214-1	.	SCREW, Machine, cross recessed pan HD, 2-56 X 1/8 IN. LG, BRS, NI PL (343-0297-00)	.	.	.	.	2		
			-----*-----							
-28	PP4B60A2	.	CAPACITOR, Fixed, ELECT, 4 UF ±20%, 60 V Fed Mfr Code 21520 (184-7000-00)	.	.	.	.	1		
-29	2104-4	.	TERMINAL, Lug, PH BRZ Fed Mfr Code 78189 (304-6910-00)	.	.	.	.	1		

Section II  
Group Assembly Parts List

T.O. 12R2-4-6-4

FIG. & INDEX NO.	PART NO.	DESCRIPTION							UNITS PER ASSY.	USABLE ON CODE
		1	2	3	4	5	6	7		
62-		(ATTACHING PARTS)								
	AN340C4	.	NUT, HEX, 4-40, SST (313-0043-00)	.	.	.	.	.	1	
	AN936B4	.	WASHER, Lock, 0.123 ID, 0.255 OD, 0.016 IN. THK, SST (373-8010-00)	.	.	.	.	.	1	
	MS35200-13	.	SCREW, Machine, cross recessed FH, 4-40 X 5/16 IN. LG., SST (342-0045-00)	.	.	.	.	.	1	
		-----*-----								
-30	306-0234-00	.	TERMINAL, Stud, BRS	.	.	.	.	.	1	
		(ATTACHING PARTS)								
	MS35200-12	.	SCREW, Machine, cross recessed FH, 4-40 X 1/4 IN. LG., SST (342-0044-00)	.	.	.	.	.	1	
		-----*-----								
-31	18926	.	TRANSFORMER, Power, fixed auto-transformer Fed Mfr Code 12080 (674-0576-00)	.	.	.	.	.	1	
		(ATTACHING PARTS)								
	AN340C4	.	NUT, HEX, 4-40, SST (313-0043-00)	.	.	.	.	.	4	
	AN936B4	.	WASHER, Lock, 0.123 ID, 0.255 OD, 0.016 IN. THK, SST (373-8010-00)	.	.	.	.	.	4	
	MS35200-14	.	SCREW, Machine, cross recessed FH, 4-40 X 3/8 IN. LG., SST (342-0046-00)	.	.	.	.	.	4	
		-----*-----								
-32	DPD-23HV1-34P-2V	.	CONNECTOR, Plug, 23 RD male CONT Fed Mfr Code 91577 (370-2051-00)	.	.	.	.	.	1	
		(ATTACHING PARTS)								
	AN340-8	.	NUT, HEX, 8-32, SST (313-0017-00)	.	.	.	.	.	4	
	AN936B8	.	WASHER, Lock, 0.176 ID, 0.381 OD, 0.020 IN. THK, SST (373-8030-00)	.	.	.	.	.	4	
	MS35200-42	.	SCREW, Machine, cross recessed FH, 8-32 X 1/2 IN. LG., SST (342-0080-00)	.	.	.	.	.	4	
		-----*-----								
-33	RW30G5R0	.	RESISTOR, Fixed, WW, 5.0 ohm ±5%, 8 W (MIL-R-26A) (747-0059-00)	.	.	.	.	.	1	
		(ATTACHING PARTS)								
	MS35200-14	.	SCREW, Machine, cross recessed FH, 4-40 X 3/8 IN. LG., SST (342-0046-00)	.	.	.	.	.	1	
	MS35216-14	.	SCREW, Machine, cross recessed pan HD, 4-40 X 3/8 IN. LG, SST (343-0135-00)	.	.	.	.	.	1	
	COML	.	WASHER, Flat, 0.203 ID, 0.437 OD, 0.045 IN. THK, SST Fed Mfr Code 79807 (310-0007-00)	.	.	.	.	.	1	
	COML	.	WASHER, Flat, 0.147 ID, 0.375 OD, 0.031 IN. THK, SST Fed Mfr Code 79807 (310-6360-00)	.	.	.	.	.	1	
	COML	.	WASHER, Nonmetallic, mica, 0.187 ID, 0.437 OD, 0.025 IN. THK Fed Mfr Code 71124 (302-2300-00)	.	.	.	.	.	2	
	503-0970-001	.	POST, Supporting	.	.	.	.	.	1	
		-----*-----								
-34	86P10304T15	.	CAPACITOR, Fixed, paper dielectric, 0.01 UF ±20%, 400 V. Fed Mfr Code 56289 (931-1847-00) (Used effective Power Supply MOD-5)	.	.	.	.	.	3	
		(ATTACHING PARTS)								
	COML	.	NUT, HEX, 5/16 -24, BRS, NI PL Fed Mfr Code 77250 (334-0254-00)	.	.	.	.	.	3	
	AN936A516	.	WASHER, Lock, 0.322 ID, 0.435 OD, 0.022 IN. THK, STL CAD PL (373-0080-00)	.	.	.	.	.	3	
		-----*-----								

FIG. & INDEX NO.	PART NO.	DESCRIPTION							UNITS PER ASSY.	USABLE ON CODE	
		1	2	3	4	5	6	7			
62-35	540-5852-002	.	BRACKET, Capacitor (Used effective Power Supply . . . .						1		
			MOD-5)								
		(ATTACHING PARTS)									
	AN340C4	.	NUT, HEX, 4-40, SST (313-0043-00) . . . . .						1		
	MS35200-14	.	SCREW, Machine, cross recessed FH, 4-40 X 3/8 IN. LG, .						2		
			SST (342-0046-00)								
	MS35216-11	.	SCREW, Machine, cross recessed pan HD, 4-40 X 3/16 IN. .						1		
			LG, SST (343-0132-00)								
	AN936B4	.	WASHER, Lock, 0.123 ID, 0.255 OD, 0.016 IN. THK, SST . .						3		
			(373-8010-00)								
	500-6222-001	.	POST, Spacing . . . . .						1		
			-----*-----								
-36	AN3350-2	.	RELAY, Switch, SPST (MIL-R-6106) (401-1255-00). . . .						1		
			(ATTACHING PARTS)								
	AN340-8	.	NUT, HEX, 8-32, SST (313-0017-00). . . . .						2		
	AN936B8	.	WASHER, Lock, 0.176 ID, 0.381 OD, 0.020 IN. THK, SST . .						2		
			(373-8030-00)								
	MS35200-41	.	SCREW, Machine, cross recessed FH, 8-32 X 7/16 IN. LG, .						2		
	304-8000-00	.	TERMINAL, Lug, BRS . . . . .						2		
			-----*-----								
	-37	2041	.	TERMINAL, Lug, BRS Fed Mfr Code 77147 (304-1300-00)						1	
				(ATTACHING PARTS)							
		AN340B8	.	NUT, HEX, 8-32, BRS, NI PL (313-0054-00) . . . . .						2	
	AN936B8B	.	WASHER, Lock, 0.176 ID, 0.381 OD, 0.020 IN. THK, PH . .						2		
		BRZ, CAD PL (373-7030-00)									
MS35216-11	.	SCREW, Machine, cross recessed pan HD, 4-40 X 3/16 . .						1			
		IN. LG, SST (343-0132-00)									
		-----*-----									
-38	500-4328-001	.	CLAMP, Cable . . . . .						2		
			(ATTACHING PARTS)								
	AN340C4	.	NUT, HEX, 4-40, SST (313-0043-00). . . . .						2		
	AN936B4	.	WASHER, Lock, 0.123 ID, 0.255 OD, 0.016 IN. THK, SST . .						2		
			(373-8010-00)								
	MS35200-14	.	SCREW, Machine, cross recessed FH, 4-40 X 3/8 IN. LG, .						2		
		SST (342-0046-00)									
		-----*-----									
-39	241-0076-00	.	SUPPRESSOR, Electrical noise . . . . .						1		
			(ATTACHING PARTS)								
	AN340C-6	.	NUT, HEX, 6-32, SST (313-0002-00). . . . .						1		
	AN936B6	.	WASHER, Lock, 0.150 ID, 0.317 OD, 0.020 IN. THK, SST . .						1		
			(373-8020-00)								
	MS35200-25	.	SCREW, Machine, cross recessed FH, 6-32 X 3/8 IN. LG, .						1		
			SST (342-0062-00)								
	MS35215-51	.	SCREW, Machine, cross recessed pan HD, 6-32 X 1/4 IN. .						2		
			LG, BRS, NI PL (343-0343-00)								
	AN936B10	.	WASHER, Lock, 0.204 ID, 0.406 OD, 0.022 IN. THK, SST . .						2		
		(373-8040-00)									
2041	.	TERMINAL, Lug, BRS Fed Mfr Code 77147 (304-1300-00)						2			
		-----*-----									
-40	C-0047323	.	COIL, RF, 1 UH Fed Mfr Code 95265 (240-0020-00) . . .						1		
			(ATTACHING PARTS)								
	MS35216-27	.	SCREW, Machine, cross recessed pan HD, 6-32 X 1/2 IN. .						1		
			LG, SST (343-0171-00)								
COML	.	WASHER, Nonmetallic, 0.147 ID, 0.375 OD, 0.032 IN. THK, .						1			
		corprene Fed Mfr Code 79807 (302-0026-00)									
		-----*-----									

Section II  
Group Assembly Parts List

T.O. 12R2-4-6-4

FIG. & INDEX NO.	PART NO.	DESCRIPTION							UNITS PER ASSY.	USABLE ON CODE
		1	2	3	4	5	6	7		
62-41	06536	.	COIL, RF, 0.5 UH	Fed Mfr Code 39652	(240-0013-00)	. . .		1		
	MS35216-27	.	SCREW, Machine, cross recessed pan HD, 6-32 X 1/2 IN. LG, SST (343-0171-00)					1		
	COML	.	WASHER, Nonmetallic, 0.147 ID, 0.375 OD, 0.032 IN. THK, . corprene Fed Mfr Code 79807 (302-0026-00)					1		
-42	10X035	.	COIL, RF, 5.5 UH	The Morey Corp. (240-0138-00)	. . . .			1		
	24	.	TERMINAL, Lug, BRS Fed Mfr Code 79963 (304-5200-00)					1		
-43	16218	.	TRANSFORMER, Power, filament Fed Mfr Code 97965 . . (672-0463-00) (Used effective Power Supply No MOD, MOD-1 thru MOD-6)					1		
-43	26088	.	TRANSFORMER, Power, filament Fed Mfr Code 12080 . . (672-1103-00) (Used effective Power Supply MOD-7 thru MOD-9)					1		
	MS35216-14	.	SCREW, Machine, cross recessed pan HD, 4-40 X 3/8 IN. LG, SST (343-0135-00)					2		
	AN936B4	.	WASHER, Lock, 0.123 ID, 0.255 OD, 0.016 IN. THK, SST . . (373-8010-00)					2		
	502-9594-001	.	POST, Supporting . . . . .					2		
	MS35200-16	.	SCREW, Machine, cross recessed FH, 4-40 X 1/2 IN. LG, . SST (342-0048-00)					2		
	-44	2110-4	.	TERMINAL, Lug, PH BRZ Fed Mfr Code 78189 . . . . . (304-2710-00)					2	
		AN340C4	.	NUT, HEX, 4-40, SST (313-0043-00)					2	
AN936B4		.	WASHER, Lock, 0.123 ID, 0.255 OD, 0.016 IN. THK, SST . . (373-8010-00)					2		
MS35200-13		.	SCREW, Machine, cross recessed FH, 4-40 X 5/16 IN. LG, . SST (342-0045-00)					2		
63-		SS625	.	DYNAMOTOR, 27.5 V at 5.75 AMP input, 600 VDC at 550 MA . . output, Fed Mfr Code 66099 (231-0109-00) (See figure 61-15 for next higher ASSY) (Used effective Power Supply MOD-8 and MOD-9)					REF	D
63-	SS442	.	DYNAMOTOR, Plate voltage supply Fed Mfr Code 66099 . . . (231-0062-00) (See figure 61-15 for next higher ASSY) (Used effective Power Supply No MOD, MOD-1 thru MOD-7)					REF	E	
-1	A-5405	.	FAN, Propeller blade Fed Mfr Code 66099 (234-0516-00)					1		
* -2	A-5276	.	SHIM, For dynamotor Fed Mfr Code 66099 (234-0519-00)					AR	E	
* -2	A-5276-1	.	SHIM, For dynamotor Fed Mfr Code 66099 (234-0520-00)					AR	E	
* -2	A-5276-7	.	SHIM, For dynamotor Fed Mfr Code 66099 (234-0521-00)					AR	E	
-3	A-26681	.	CAPACITOR, Fixed, mica dielectric, 4700 UUF ±20%, . . . 1000 V Fed Mfr Code 66099 (234-1028-00)					1	D	
-3	CM35B472M	.	CAPACITOR, Fixed, mica dielectric, 4700 UUF ±20%, . . . 500 V (MIL-C-5) (234-0512-00)					1	E	
-4	CM35B472K	.	CAPACITOR, Fixed, mica dielectric, 4700 UUF ±10%, . . . 500 V (MIL-C-5) (935-2103-00)					1	D	

\*Use as needed to fit individual requirements.

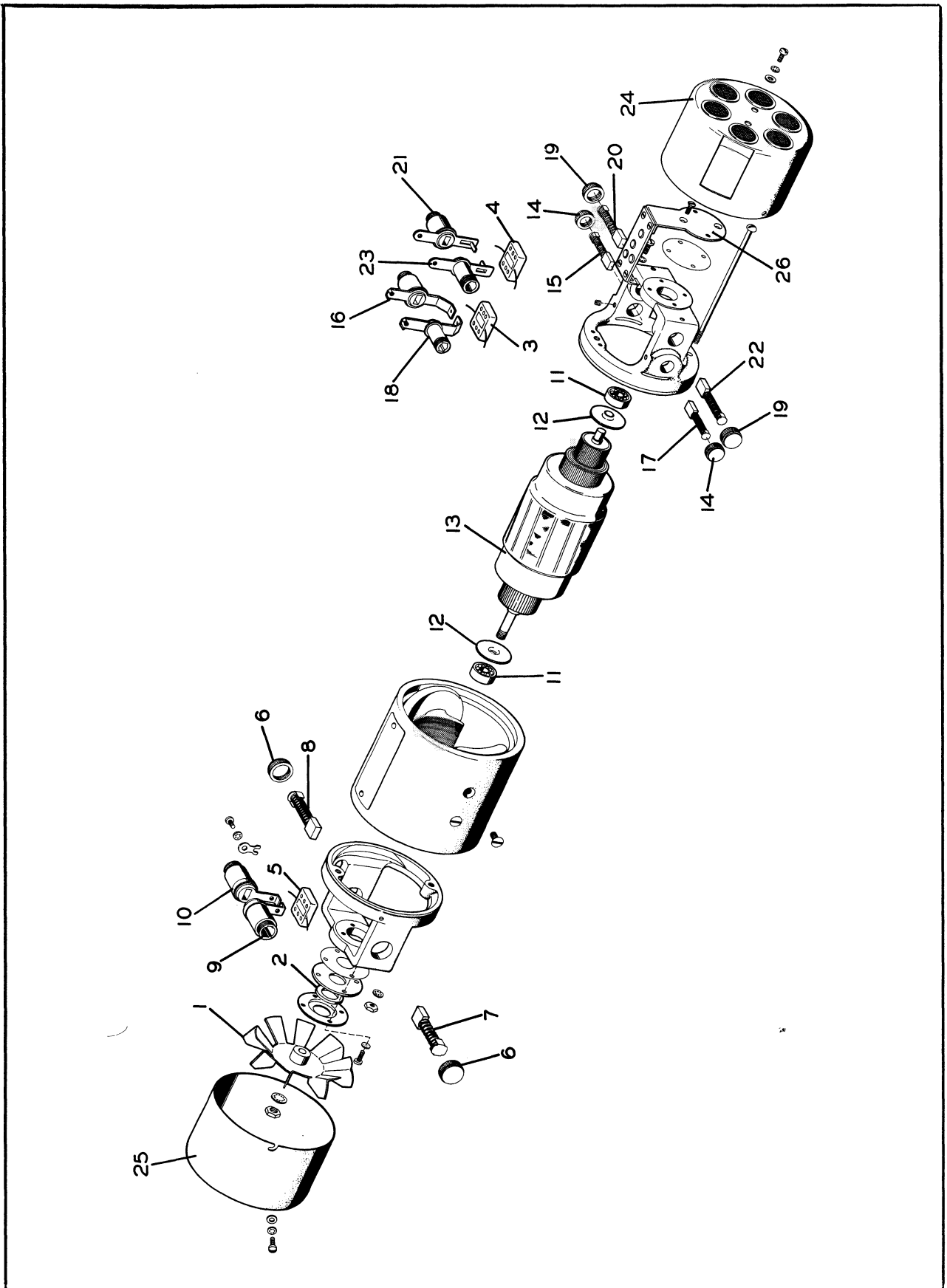


Figure 63. Dynamotor

FIG. & INDEX NO.	PART NO.	DESCRIPTION							UNITS PER ASSY.	USABLE ON CODE
		1	2	3	4	5	6	7		
63-4	CM35B472M	.	CAPACITOR, Fixed, mica dielectric, 4700 UUF ±20% . . .						1	E
			500 V (MIL-C-5) (234-0512-00)							
-5	CM35B103K	.	CAPACITOR, Fixed, mica dielectric, 10,000 UUF ±10% . .						1	D
			300 V (MIL-C-5) (935-2117-00)							
-5	CM35B472M	.	CAPACITOR, Fixed, mica dielectric, 4700 UUF ±20% . . .						1	E
			500 V (MIL-C-5) (234-0512-00)							
-6	A-25396	.	CAP, Electrical Fed Mfr Code 66099 (234-1027-00) . . .						2	D
-6	5635	.	CAP, Electrical Fed Mfr Code 66099 (234-4120-00) . . .						2	E
-7	A-26669	.	BRUSH, Electrical CONT Fed Mfr Code 66099 . . . . .						1	D
			(234-0961-00)							
-7	A-8412	.	BRUSH, Electrical CONT Fed Mfr Code 66099 . . . . .						1	E
			(234-0091-00)							
-8	A-26669-1	.	BRUSH, Electrical CONT Fed Mfr Code 66099 . . . . .						1	D
			(234-0962-00)							
-8	A-8412-1	.	BRUSH, Electrical CONT Fed Mfr Code 66099 . . . . .						1	E
			(234-0092-00)							
-9	A-25689	.	HOLDER, Brush Fed Mfr Code 66099 (234-1025-00) . . .						1	D
-9	A-25498	.	HOLDER, Brush Fed Mfr Code 66099 (234-0517-00) . . .						1	E
-10	A-26663	.	HOLDER, Brush Fed Mfr Code 66099 (234-1026-00) . . .						1	D
-10	A-25494	.	HOLDER, Brush Fed Mfr Code 66099 (234-0518-00) . . .						1	E
-11	8037X1E	.	BEARING, Ball, annular, single row, radial Fed Mfr . . .						2	E
			Code 43334 (234-0593-00)							
-12	A-6947	.	THROWER, Oil Fed Mfr Code 66099 (234-0514-00). . . .						2	E
-13	C-25475	.	ARMATURE, Dynamotor Fed Mfr Code 66099 . . . . .						1	
			(234-0513-00)							
-14	A-5125	.	CAP, Electrical Fed Mfr Code 66099 (234-0278-00) . . .						2	
-15	A-8414	.	BRUSH, Electrical CONT Fed Mfr Code 66099 . . . . .						1	
			(234-0090-00)							
-16	A-26674	.	HOLDER, Brush Fed Mfr Code 66099 (234-1024-00) . . .						1	D
-16	A-8283	.	HOLDER, Brush Fed Mfr Code 66099 (234-0104-00) . . .						1	E
-17	A-8414-1	.	BRUSH, Electrical CONT Fed Mfr Code 66099 . . . . .						1	
			(234-0089-00)							
-18	A-8284	.	HOLDER, Brush Fed Mfr Code 66099 (234-0103-00) . . .						1	
-19	5065	.	CAP, Electrical Fed Mfr Code 66099 (234-4090-00) . . .						2	
-20	A-8413	.	BRUSH, Electrical CONT Fed Mfr Code 66099 . . . . .						1	
			(234-0093-00)							
-21	A-25632	.	HOLDER, Brush Fed Mfr Code 66099 (234-1023-00) . . .						1	D
-21	A-8281	.	HOLDER, Brush Fed Mfr Code 66099 (234-0105-00) . . .						1	E
-22	A-8413-1	.	BRUSH, Electrical CONT Fed Mfr Code 66099 . . . . .						1	
			(234-0094-00)							
-23	A-8282	.	HOLDER, Brush Fed Mfr Code 66099 (234-0106-00) . . .						1	
-24	B-25491	.	END BELL, Electrical rotating EQUIP Fed Mfr Code . . .						1	
			66099 (234-0858-00)							
-25	B-26360	.	COVER, Dynamotor Fed Mfr Code 66099 (234-0859-00) .						1	
-26	A-25686	.	CONNECTOR, Receptacle, 4 RD female CONT Fed Mfr . .						1	
			Code 66099 (234-0718-00)							
64-	522-0052-004	.	SHOCKMOUNT 350T-1 (See figure 1-5 for next higher ASSY) .						REF	
-1	780-10G	.	ISOLATOR, Vibration Fed Mfr Code 81860 (200-0384-00) .						4	
			(ATTACHING PARTS)							
	MS35216-68	.	SCREW, Machine, cross recessed pan HD, 1/4-20 X . . .						4	
			7/16 IN. LG, SST (343-0264-00)							
	AN936B416	.	WASHER, Lock, 0.267 ID, 0.506 OD, 0.025 IN. THK, SST . .						4	
			(373-8050-00)							
			-----*-----							

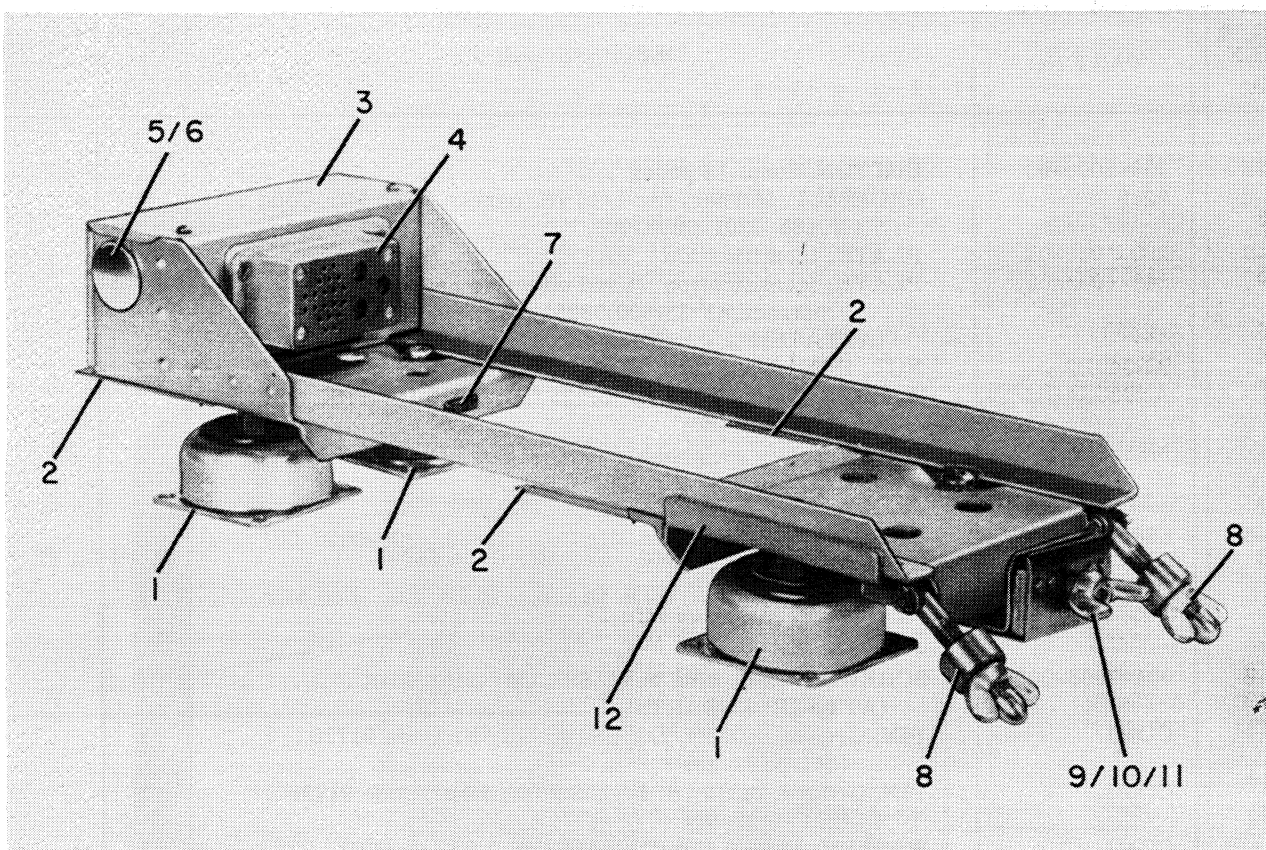


Figure 64. Shockmount 350T-1

FIG. & INDEX NO.	PART NO.	DESCRIPTION							UNITS PER ASSY	USABLE ON CODE
		1	2	3	4	5	6	7		
64-2	506-6659-002	.							4	
	AN340B4	.							4	
	AN936B4	.							4	
	MS35214-13	.							2	
	MS35198-13	.							2	
-3	506-6655-002	.							1	
	MS35216-12	.							2	
	AN936B4	.							2	
-4	DPD-23HV1-335-2V	.							1	
	MS35200-39	.							4	

Section II  
Group Assembly Parts List

T.O. 12R2-4-6-4

FIG. & INDEX NO.	PART NO.	DESCRIPTION	UNITS PER ASSY.	USABLE ON CODE		
					1	2
64-5	308-3000-00	. BUTTON, Snap, 12 prong . . . . .	1			
-6	2285	. GROMMET, Rubber, for 1/16 IN. panels Fed Mfr Code . . 70485 (201-0008-00)	1			
-7	280-1058-00	. PLATE, Identification . . . . .	1			
-7	545-4082-002	. PLATE, Identification (Used effective Shockmount, . . . . Contract AF 33(600)38251) (ATTACHING PARTS)	1			
	AN340B2	. NUT, HEX, 2-56, BRS, NI PL (313-0050-00) . . . . .	2			
	AN936A4B	. WASHER, Lock, 0.123 ID, 0.225 OD, 0.016 IN. THK, SST . . (373-0006-00)	2			
	MS35214-3	. SCREW, Machine, cross recessed pan HD, 2-56 X 1/4 IN. . LG, BRS, NI PL (343-0299-00) -----*-----	2			
-8	6885-000 000	. RETAINER, Front Fed Mfr Code 81860 (200-0556-00) . . (ATTACHING PARTS)	2			
	COML	. RIVET, Solid, AL, 1/8 IN. DIA X 5/16 IN. LG Fed Mfr . . Code 01634 (305-0467-00) -----*-----	4			
-9	504-7368-002	. SCREW, Thumb, wing head, SST extractor shaft . . . . . (ATTACHING PARTS)	1			
	COML	. PIN, Groove, 3/8 IN. LG, SST Fed Mfr Code 91738 . . . . (311-1132-30)	1			
	COML	. PIN, Groove, 0.375 IN. LG, SST Fed Mfr Code 91738 . . . (311-1122-30)	1			
	COML	. WASHER, Flat, 0.174 ID, 0.437 OD, 0.042 IN. THK, STL, . . CAD PL or zinc PL Fed Mfr Code 79807 (310-0006-00)	1			
	504-7366-002	. CLAMP, SST . . . . .	1			
	504-7357-001	. COLLAR, Spacing . . . . . -----*-----	2			
-10	S-1-K-DD-7	. BEARING, Ball, single row, radial Fed Mfr Code 21335. . (309-1360-00) (ATTACHING PARTS)	1			
	504-7354-001	. RETAINER, Bearing . . . . .	1			
	506-6657-002	. PLATE, Retainer . . . . .	1			
	COML	. RIVET, Solid, AL, 1/8 IN. DIA X 7/16 IN. LG Fed Mfr . . Code 01634 (305-0468-00) -----*-----	2			
-11	504-7358-002	. BLOCK, Spacing . . . . . (ATTACHING PARTS)	1			
	506-6656-002	. BRACKET, Angle . . . . .	1			
	COML	. RIVET, Solid, AL, 1/8 IN. DIA X 3/4 IN. LG Fed Mfr . . Code 01634 (305-0469-00)	2			
	COML	. RIVET, Solid, AL, 1/8 IN. DIA X 5/16 IN. LG Fed Mfr . . Code 01634 (305-0467-00) -----*-----	2			
-12	506-6666-004	. MOUNT, Vibration . . . . .	1			
65-	540-6649-003	CASE, Field maintenance EQUIP 618S-1 (See figure 1-7 for . next higher ASSY)	REF			
-1	977STM1N	. ADAPTER, Tube socket, for 7 pin miniature tubes Fed . . Mfr Code 01009 (220-1227-00)	1			
-2	999STM1N	. ADAPTER, Tube socket, for 9 pin noval tubes Fed Mfr . . Code 01009 (220-1228-00)	1			



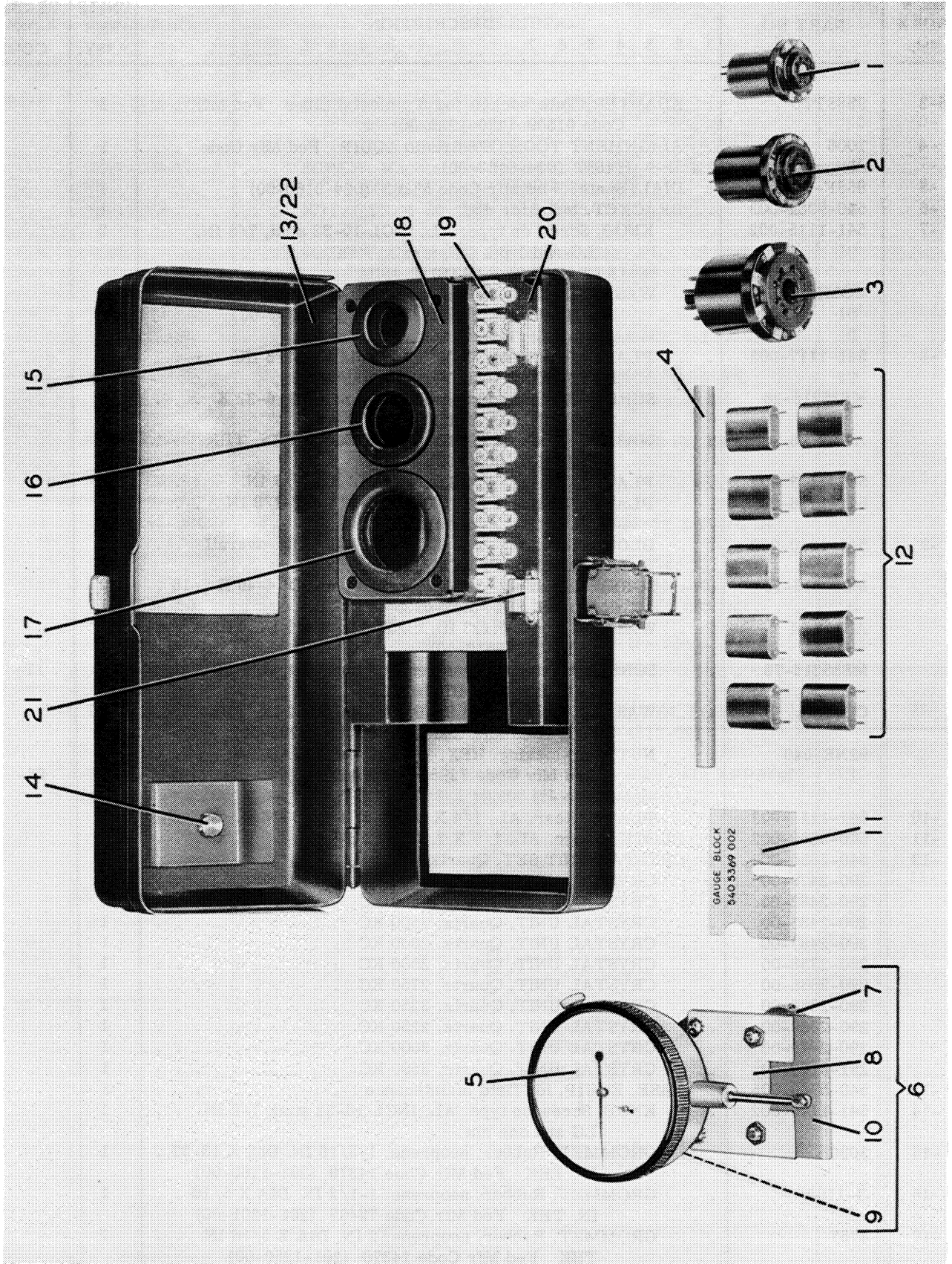


Figure 65. Field Maintenance Equipment Case

Section II  
Group Assembly Parts List

T.O. 12R2-4-6-4

FIG. & INDEX NO.	PART NO.	DESCRIPTION							UNITS PER ASSY.	USABLE ON CODE
		1	2	3	4	5	6	7		
65-3	988STT0	.	.	.	.	.	.	.	1	
		ADAPTER, Tube socket, for 8 pin octal tubes Fed Mfr Code 01009 (220-1229-00)								
-4	1006	.	.	.	.	.	.	.	1	
		ALIGNMENT TOOL, Electronic EQUIP Fed Mfr Code 74887 (024-0166-00)								
-5	655F-1	.	.	.	.	.	.	.	1	
		DIAL, Scale Fed Mfr Code 57163 (024-0160-00)								
-6	540-9984-003	.	.	.	.	.	.	.	1	
		BRACKET, Indicator dial								
-7	541-1115-002	.	.	.	.	.	.	.	2	
		KNOB, Screw on type, AL, INCL 10-32 stud, 7/8 IN. LG and 1 pin (ATTACHING PARTS)								
	COML	.	.	.	.	.	.	.	2	
		WASHER, Flat, 0.203 ID, 0.500 OD, 0.060 IN. THK, SST Fed Mfr Code 79807 (310-0049-00)								
		-----*-----								
-8	541-1117-002	.	.	.	.	.	.	.	1	
		PLATE, Front, AL, 3-32 X 1-25/32 X 2-1/8 IN. (ATTACHING PARTS)								
	MS35216-26	.	.	.	.	.	.	.	2	
		SCREW, Machine, cross recessed pan HD, 6-32 X 7/16 IN. LG, SST (343-0170-00)								
	AN936B6	.	.	.	.	.	.	.	2	
		WASHER, Lock, 0.150 ID, 0.317 OD, 0.020 IN. THK, SST (373-8020-00)								
	541-1113-002	.	.	.	.	.	.	.	1	
	541-1116-002	.	.	.	.	.	.	.	1	
		PLATE, Spacing, AL, 0.040 X 5/16 X 2-1/8 IN.								
		PLATE, Retainer, AL, 0.064 X 1-3/8 X 2-1/8 IN. (ATTACHING PARTS)								
		-----*-----								
-9	541-1110-002	.	.	.	.	.	.	.	1	
		BLOCK, Mounting, AL, 1/4 X 5/8 X 3/4 IN. overall (ATTACHING PARTS)								
	MS35216-15	.	.	.	.	.	.	.	2	
		SCREW, Machine, cross recessed pan HD, 4-40 X 7/16 IN. LG, SST (343-0136-00)								
	AN936B4	.	.	.	.	.	.	.	2	
		WASHER, Lock, 0.123 ID, 0.255 OD, 0.016 IN. THK, SST (373-8010-00)								
	MS35216-73	.	.	.	.	.	.	.	1	
		SCREW, Machine, cross recessed pan HD, 1/4-20 X 1 IN. LG (343-0269-00)								
	COML	.	.	.	.	.	.	.	1	
		WASHER, Lock, 0.255 ID, 0.493 OD, 0.062 IN. THK, SST Fed Mfr Code 78189 (310-0288-00)								
	92NE-040	.	.	.	.	.	.	.	1	
		NUT, Self-locking, HEX, 1/4 -20, BRS, CAD PL Fed Mfr Code 72962 (333-0427-00)								
		-----*-----								
-10	541-1111-002	.	.	.	.	.	.	.	1	
		PLATE, Rear, AL, 1/4 X 2-1/8 X 3-1/16 IN.								
-11	540-5369-002	.	.	.	.	.	.	.	1	
		BLOCK, Gauge, AL, 1/8 X 1.375 X 2 IN.								
-12	540-5855-002	.	.	.	.	.	.	.	1	
		CRYSTAL UNIT SET, Quartz								
	290-2479-00	.	.	.	.	.	.	.	1	
		CRYSTAL UNIT, Quartz, 2300 KC								
	290-2482-00	.	.	.	.	.	.	.	1	
		CRYSTAL UNIT, Quartz, 2500 KC								
	290-2483-00	.	.	.	.	.	.	.	1	
		CRYSTAL UNIT, Quartz, 3500 KC								
	290-2487-00	.	.	.	.	.	.	.	1	
		CRYSTAL UNIT, Quartz, 2000 KC								
	290-2738-00	.	.	.	.	.	.	.	1	
		CRYSTAL UNIT, Quartz, 2500 KC								
	290-2866-00	.	.	.	.	.	.	.	1	
		CRYSTAL UNIT, Quartz, 2750 KC								
	290-2867-00	.	.	.	.	.	.	.	1	
		CRYSTAL UNIT, Quartz, 3250 KC								
	290-2869-00	.	.	.	.	.	.	.	1	
		CRYSTAL UNIT, Quartz, 2250 KC								
	290-2870-00	.	.	.	.	.	.	.	1	
		CRYSTAL UNIT, Quartz, 3000 KC								
	291-8168-00	.	.	.	.	.	.	.	1	
		CRYSTAL UNIT, Quartz, 3500 KC								
-13	540-5849-005	.	.	.	.	.	.	.	1	
		CASE, EQUIP, for field maintenance								
-14	541-1126-002	.	.	.	.	.	.	.	1	
		KNOB, Screw on type, AL, INCL 10-32 stud, 1/2 IN. LG and one pin								
-15	3030	.	.	.	.	.	.	.	1	
		GROMMET, Rubber, neoprene, 1-5/16 IN. DIA X 13/32 IN. THK Fed Mfr Code 14370 (201-1160-00)								
-16	G-1102	.	.	.	.	.	.	.	1	
		GROMMET, Rubber, neoprene, 1-1/2 IN. DIA X 5/16 IN. THK Fed Mfr Code 79497 (201-1201-00)								
-17	4757	.	.	.	.	.	.	.	1	
		GROMMET, Rubber, neoprene, 2 IN. DIA X 5/16 IN. THK Fed Mfr Code 14370 (201-1250-00)								

FIG. & INDEX NO.	PART NO.	DESCRIPTION							UNITS PER ASSY.	USABLE ON CODE
		1	2	3	4	5	6	7		
65-18	541-1119-002	.	.	RETAINER, Tube, AL, 3/8 X 5 X 2-3/16 IN., . . . . .					1	
				accommodates 3 tubes (ATTACHING PARTS)						
	MS35196-17	.	.	SCREW, Machine, cross recessed FH, 4-40 X 5/8 IN. .					4	
	AN340C4	.	.	NUT, HEX, 4-40, SST (313-0043-00) . . . . .					4	
-19	9006	.	.	SOCKET, Crystal, 2 CONT positions, PL COP base . .					10	
				alloy CONT Fed Mfr Code 72825 (292-0059-00) (ATTACHING PARTS)						
	504-8229-001	.	.	CLIP, Electrical, ferrule style, COP . . . . .					10	
	MS35216-16	.	.	SCREW, Machine, cross recessed pan HD, 4-40 X 1/2					10	
					IN. LG, SST (343-0137-00)					
	COML	.	.	WASHER, Nonmetallic, 1/4 OD, 0.116 ID, 0.046 IN. . . .					10	
					THK, fiber material Fed Mfr Code 72921 (302-4800-00)					
	506-5906-002	.	.	WASHER, Flat, 0.120 ID, 0.250 OD, 0.015 IN. THK, . .					10	
				SST						
	AN340C4	.	.	NUT, HEX, 4-40, SST (313-0043-00) . . . . .					10	
-20	541-1118-002	.	.	SHELF, Mounting, AL, 1-31/32 X 3-19/32 X 7-1/8 IN. .					1	
				(ATTACHING PARTS)						
	COML	.	.	SCREW, Machine, cross recessed FH, 4-40 X 1/4 IN. .					6	
					LG Fed Mfr Code 77250 (342-0311-00)					
	334-0856-00	.	.	NUT, Insert, tapped 4-40, 1/4 IN. HEX X 0.093 IN. . . .					6	
				LG, SST						
-21	139-0369-00	.	.	CLIP, Electrical, ferrule type, COP . . . . .					2	
				(ATTACHING PARTS)						
	R-3309-2/16	.	.	RIVET, Tubular, STL, CAD PL, 1/8 IN. LG barrel .					4	
				Fed Mfr Code 12014 (305-4512-00)						
-22	541-1131-003	.	.	CASE, Electronic EQUIP maintenance kit, AL, APPROX					1	
				3 X 4-3/8 X 10.406 IN. when closed						

<b>SECTION III NUMERICAL INDEX</b>
--

PART NUMBER	STOCK NUMBER		FIGURE AND INDEX NO.	QUANTITY PER ARTICLE	SOURCE CODE
	CLASS CODE	SERIAL OR PART NO.			
A-25396			63-6	2	
A-25494	5977	296-2495	63-10	1	
A-25498	5977	038-2787	63-9	1	
A-25632	5977	688-5385	63-21	1	
A-25686	5940	620-2763	63-26	1	
A-25689	5977	688-5386	63-9	1	
A-26663	5977	688-4974	63-10	1	
A-26669			63-7	1	
A-26669-1			63-8	1	
A-26674	5977	706-6248	63-16	1	
A-26681	5910	615-0078	63-3	1	
A-5125	5977	257-7056	63-14	2	
A-5276			63-2	AR	
A-5276-1			63-2	AR	
A-5276-7			63-2	AR	
A-5405	4140	473-9094	63-1	1	
A-6947			63-12	2	
A-8281	5977	238-9717	63-21	1	
A-8282	5977	249-5734	63-23	1	
A-8283	5977	238-7317	63-16	1	
A-8284	5977	238-7316	63-18	1	
A-8412			63-7	1	
A-8412-1			63-8	1	
A-8413			63-20	1	
A-8413-1			63-22	1	
A-8414			63-15	1	
A-8414-1			63-17	1	
AJ3-30			60-28	2	P1 MO/N
AN3350-2	5945	257-0317	62-36	1	
AN340-8	5310	268-6103	62-32	6	
			62-36		
AN340B2	5310	176-8125	2-2	11	P1 MO/N
			17-129		
			23-16		
			64-7		
AN340B4	5310	167-1360	4-16	226	P1 MO/N
			4-20		
			5-46		
			9-6		
			9-7		
			10-46		
			10-55		
			10-157		
			10-170		
			10-180		
			10-202		
			10-205		
			10-209		
			10-213		

Section III  
Numerical Index

T. O. 12R2-4-6-4

PART NUMBER	STOCK NUMBER		FIGURE AND INDEX NO.	QUANTITY PER ARTICLE	SOURCE CODE
	CLASS CODE	SERIAL OR PART NO.			
			11-29 11-30 11-34 11-35 12-4 12-13 12-14 13-6 13-9 13-11 14-21 15-4 15-5 15-8 15-27 17-75 17-103 17-106 17-183 17-193 17-228 17-231 18-35 19-5 19-8 19-11 20-9 21-3 21-5 21-13 21-14 21-15 21-16 21-17 22-9 22-14 22-22 22-23 23-20 23-27 23-37 23-37.1 25-3 25-6 25-7 27-6 28-13 29-97.1 62-3 64-2 25-11 28-32 29-33 29-102 29-106 11-16 22-6		
AN340B4				9	
AN340B6	5310	167-1364		43	P1 MO/N

PART NUMBER	STOCK NUMBER		FIGURE AND INDEX NO.	QUANTITY PER ARTICLE	SOURCE CODE
	CLASS CODE	SERIAL OR PART NO.			
AN340B8 AN340C-6	5310 5310	639-7704 176-8093	57-9 57-15 57-16 57-17 57-18 62-37 61-8 61-18 62-20 62-26 62-39	2 18	
AN340C2 AN340C4	5310 5310	266-0516 167-1376	58-2 59-5 60-31 60-35 61-19 61-20 62-12 62-14 62-17 62-18 62-21 62-29 62-31 62-35 62-38 62-44 65-18 65-19	2 50	P1 MO/N P1 MO/N
AN340C6 AN500B2-4 AN500B4R-12 AN500B4R-12 AN500B4R-4	5310 5305 5305 5305 5305	176-8093 145-6916 687-7532 688-0141 206-2654	59-11 2-2 17-153 17-254 5-7	8 5 1 2 3	P1 MO/N
AN500B4R-5	5305	151-1320	11-30 4-17 29-17 29-42	10	
AN500B4R-5 AN500B4R-8 AN500C4-5 AN936A2	5305 5305 5310	687-6692 497-3971 167-0873	4-32 17-217 5-24 2-8 5-27 8-3 10-67 58-2 60-5	4 2 2 15	P1 MO/N
AN936A2B	5310	261-7586	2-2 4-19 17-130 23-16 28-26	13	P1 MO/N
AN936A3 AN936A4B AN936A416	5310 5310 5310	209-0738 262-1739 167-0719	64-7 60-52 60-55 60-58 60-92	4 2 5	P1 MO/N P1 MO/N

PART NUMBER	STOCK NUMBER		FIGURE AND INDEX NO.	QUANTITY PER ARTICLE	SOURCE CODE
	CLASS CODE	SERIAL OR PART NO.			
AN936A416B	5310	167-0856	9-2	5	P1 MO/N
AN936A516	5310	167-0721	23-31	36	
			11-23		
			11-24		
			12-9		
			13-7		
			13-8		
			13-10		
			15-1		
			15-6		
			15-7		
			20-4		
			25-8		
			25-9		
			25-10		
			27-7		
			27-8		
AN936A6B			62-34	3	
			17-68		
			17-201		
AN936A6B	5310	550-3460	62-26	4	P1 MO/N
AN936A616	5310	167-0722	4-11	6	
			4-12		
			20-5		
			20-6		
			60-88		
AN936B10	5310	167-0869	61-16	6	P1 MO/N
AN936B4	5310	167-0866	62-39	381	
			5-10		
			5-18		
			5-30		
			5-58		
			7-2		
			8-11		
			8-16		
			9-6		
			9-7		
			10-5		
			10-13		
			10-19		
			10-39		
			10-47		
			10-53		
			10-56		
			10-60		
			10-70		
			10-74		
10-81					
10-146					
10-149					
10-149.3					
10-152					
10-176					
10-189					
10-201					
11-1					
12-1					

PART NUMBER	STOCK NUMBER		FIGURE AND INDEX NO.	QUANTITY PER ARTICLE	SOURCE CODE
	CLASS CODE	SERIAL OR PART NO.			
			12-4		
			12-5		
			12-8		
			12-12		
			12-14		
			13-1		
			13-6		
			13-9		
			13-11		
			14-14		
			15-4		
			15-5		
			15-19		
			15-27		
			16-3		
			17-147		
			17-157.1		
			17-167		
			17-173		
			17-177		
			17-191		
			19-1		
			19-5		
			19-8		
			20-9		
			20-13		
			21-2		
			21-3		
			21-13		
			21-14		
			21-16		
			21-17		
			22-5		
			22-9		
			22-23		
			23-1		
			24-4		
			24-5		
			25-3		
			25-6		
			25-7		
			26-14		
			28-13		
			29-26		
			29-48		
			29-51		
			29-54		
			29-69		
			29-97.2		
			29-100		
			29-104		
			29-108		
			29-112		
			29-116		
			29-119		
			29-131		
			57-5		



PART NUMBER	STOCK NUMBER		FIGURE AND INDEX NO.	QUANTITY PER ARTICLE	SOURCE CODE
	CLASS CODE	SERIAL OR PART NO.			
AN936B4B	5310	184-8961	59-7 60-32 60-36 61-13 61-19 61-20 62-1 62-14 62-15 62-17 62-18 62-21 62-29 62-31 62-35 62-38 62-43 62-44 64-2 64-3 65-9 2-5 4-16 4-18 4-30 4-31 6-26 6-33 11-29 11-30 11-34 17-39 17-64 17-67.1 17-76 17-107 17-224 17-232 18-15 18-29 18-36 23-20 23-21 23-22 23-37 23-37.1 56-10 57-6 57-6.1 64-1 4-24 4-27 58-1 5-47 8-8 10-63	77	P1 MO/N
AN936B416	5310	167-0870	4-24 4-27	12	P1 MO/N
AN936B6	5310	167-0867	58-1 5-47 8-8 10-63	47	P1 MO/N

PART NUMBER	STOCK NUMBER		FIGURE AND INDEX NO.	QUANTITY PER ARTICLE	SOURCE CODE
	CLASS CODE	SERIAL OR PART NO.			
AN936B6B	5310	187-8601	10-198	62	
			22-12		
			59-7		
			59-10		
			59-12		
			59-16		
			59-17		
			59-18		
			60-47		
			61-8		
			61-18		
			62-20		
			62-23		
			62-39		
			65-8		
			4-23		
AN936B8	5310	596-7693	17-35	6	P1 MO/N
			17-52		
			17-57		
			57-9		
			57-15		
			57-16		
			57-17		
			57-18		
			62-32		
			62-36		
AN936B8B	5310	167-0848	4-29	6	
			56-11		
A16874CY	5950	250-8733	62-37	2	P1 MO/N
			59-3		
A3044A-3-92	5340	646-3679	62-14	1	
B-25491			63-24	1	
B-26360	6125	686-5005	63-25	1	
B-5417	4140	561-6749	2-5	1	
BA-49143			59-5	4	
C-0047109	5950	387-0489	14-20	4	P1 MO/N
			23-25		
			39-10		
C-0047140E	5950	561-6410	57-10	1	
C-0047323	5950	237-1534	62-40	1	
C-0047471	5950	561-6366	15-21	3	P1 MO/N
			23-36		
C-25A-512	6105	643-1112	5-23	2	P1 MO/S
			10-144		
C-25475	6125	284-0399	63-13	1	
CC20CH050C	5910	556-9427	10-32	3	P1 MO/N
			17-251		
			39-11		
CC20CH050D	5910	187-2011	17-91	1	P1 MO/N
CC20CH120J	5910	197-1485	17-250	1	P1 MO/N
CC20CK0R5C	5910	100-5758	10-178	2	P1 MO/N
CC20CK010C	5910	583-1590	10-168	2	P1 MO/N
			39-12		
CC20CK020C	5910	543-0823	17-252	1	P1 MO/N
CC20CK1R5C	5910	191-3783	39-12	1	P1 MO/N
CC21TJ100D	5910	252-4101	30-2	1	P1 MO/N
CC22CH040D	5910	228-5944	34-3	3	P1 MO/N

PART NUMBER	STOCK NUMBER		FIGURE AND INDEX NO.	QUANTITY PER ARTICLE	SOURCE CODE
	CLASS CODE	SERIAL OR PART NO.			
CC22CH050F	5910	184-2334	38-3 42-3 28-19 28-21	2	P1 MO/N
CC22CH100D	5910	553-3731	37-4 40-3	2	P1 MO/N
CC22CH120J			26-13 32-3 43-3	3	P1 MO/N
CC22CK010C	5910	648-9048	24-3	2	P1 MO/N
CC22SH300J	5910	553-3728	48-3	1	P1 MO/N
CC22UJ050D	5910	668-0182	39-11	1	P1 MO/N
CC22UJ100D			41-3 49-2	2	P1 MO/N
CC22UJ150J	5910	553-3726	37-3	1	P1 MO/N
CC30CH200J	5910	160-8106	26-23	1	P1 MO/N
CC30CH360J	5910	666-8937	23-13	1	P1 MO/N
CC30CH430F	5910	617-9377	23-13	1	
CC30CH470K	5910	668-1612	23-17	1	P1 MO/N
CC30TH910G	5910	688-7129	23-15	1	
CC30UJ101J	5910	195-7572	10-42	1	P1 MO/N
CC33HG101J	5910	668-7128	43-2 46-3	2	P1 MO/N
CC33HG121J	5910	556-0309	52-3	1	P1 MO/N
CE52C300Q	5910	648-8854	61-14	3	
CE63C080P	5910	112-8466	57-15	2	P1 MO/N
CE63C200J			62-24	2	P1 MO/N
CK61Y102Z	5910	666-7156	20-7	2	P1 MO/N
CK63Y103Z	5910	256-4261	10-50.1 12-10 15-15 26-12	6	P1 MO/N
CL-440-2	5325	489-5007	10-215	5	
CM15E270J	5910	519-8867	47-4	1	P1 MO/N
CM15E431G	5910	242-6073	21-7 23-14	3	P1 MO/N
CM15E471G	5910	648-8223	16-12	1	
CM15E471K	5910	648-7900	23-18	1	P1 MO/N
CM15E511G	5910	280-9571	14-9 16-13 21-9 24-2 52-2	7	P1 MO/N
CM15E511J	5910	270-5382	47-3	1	P1 MO/N
CM20B201J			57-12	1	P1 MO/N
CM20C511J	5910	101-4883	22-8	1	P1 MO/N
CM35B103K	5910	588-9789	63-5	1	P1 MO/N
CM35B472K	5910	101-3847	63-4	1	P1 MO/N
CM35B472M	5910	668-2088	63-3 63-4 63-5	3	P1 MO/N
CM45B102K	5910	101-4531	17-94	1	P1 MO/N
CM50B472J	5910	668-0391	56-1	1	P1 MO/N
CM50B472K	5910	101-4726	17-117	1	P1 MO/N
CP53B1FF504M	5910	538-7735	57-9	2	
DA-858-003	5910	539-7689	17-54 59-7	3	P1 MO/N

PART NUMBER	STOCK NUMBER		FIGURE AND INDEX NO.	QUANTITY PER ARTICLE	SOURCE CODE
	CLASS CODE	SERIAL OR PART NO.			
DA934-017(X)	5910	669-1920	23-15	1	P1 MO/N
DM-0084	5950	561-6364	10-44	2	P1 MO/N
			57-11		
DPD-23HV1-335-2V	5935	295-3056	64-4	1	P1 MO/N
DPD-23HV1-34P-2V	5935	259-4074	62-32	1	
E-25179	5970	117-5189	18-30	2	
F-310			29-133	1	
F-310-3			29-134	1	
F-342			17-188	10	
			29-27		
			29-132		
F-346	3120	661-5056	10-111	6	
			10-217		
F-347	3120	293-6268	10-110.1	9	
			10-218		
F-347-4V	3120	540-7365	10-110	3	X1
			10-219		
F-348-3			17-258	1	
F-572-2			10-109	2	X1
FBC1615-26	6105	556-8609	8-13	1	
FBC1615-29	6105	688-4971	8-13	1	
FBC1615B-14	4140	640-5776	4-15	1	
			8-	REF	
FBC1615B-19	4140	620-5765	4-15	1	
			8-	REF	
FH-2C			8-9	1	
FH-2CA			8-1	1	
F02GR500A			61-5	2	
F02G1R00A	5920	428-5725	61-5	2	
F02G2R00A	5920	665-2884	61-1	2	
G-1102			65-16	1	
GA3-200	5325	449-2798	60-29	2	P1 MO/N
HD6007	5960	519-6178	28-29	1	
HKP-HJR	5920	503-0863	61-2	4	
			61-6		
HP-10N	5340	634-7837	57-26	2	
HP-14N	5340	598-0457	57-25	2	
HP-3N	5340	286-6587	10-210	1	P1 MO/N
HP-4N	5340	664-3120	10-206	2	P1 MO/N
HP-5N	5340	664-3124	4-16	1	
HP-6N	5340	598-0539	57-24	3	
			20-9		
			21-16		
HP-8N	5340	664-8167	57-23	3	
JJ-033	5935	643-6685	4-12	1	
JJ-034	5935	283-1269	4-11	2	
MAZDA #327	6240	155-7836	60-16	3	P1 MO/N
MH-7M	5935	502-8306	4-13	4	
			6-22		
			7-3		
			8-25		
MH-7M	5935	295-6479	4-21	4	
			9-3		
MH-9F	5935	257-8683	4-22	1	
MH-9M	5935	301-3717	5-14	1	
Model 219F	6105	556-8610	8-27	1	
MP-206-32-B			62-12	1	

PART NUMBER	STOCK NUMBER		FIGURE AND INDEX NO.	QUANTITY PER ARTICLE	SOURCE CODE
	CLASS CODE	SERIAL OR PART NO.			
MP3016	5960	552-9522	17-245 39-2	4	P1 MO/N
MS35196-17 MS35198-12	5305	151-1321	65-18 10-200 11-22 15-27 22-23 23-37.1 56-7 56-8 57-5 57-20	4 29	
MS35198-13	5305	151-1320	4-8 5-66 6-21 12-14 17-233 20-9 21-16 21-17 56-10 64-2	20	
MS35198-14	5305	151-0871	4-31 6-7 10-206 10-211 23-37 57-6 57-6.1	12	
MS35198-15 MS35198-16	5305 5305	151-1318 015-7872	17-164 10-204 17-146 17-157 17-166 30-3 31-2 32-4 33-3 34-4 35-3 36-3 37-5 38-4 40-4 41-4 42-4 43-4 44-4 45-4 46-4 47-5 48-4 49-3 50-4 51-3 52-4	2 59	

PART NUMBER	STOCK NUMBER		FIGURE AND INDEX NO.	QUANTITY PER ARTICLE	SOURCE CODE
	CLASS CODE	SERIAL OR PART NO.			
MS35198-17	5305	151-1757	53-4 54-4 55-3 4-20 57-1 57-2 57-3 57-4	38	
MS35198-2	5305	685-1534	10-7 59-1	26	P1 MO/N
MS35198-23	5305	151-2355	4-7	8	
MS35198-24	5305	151-2356	17-49 17-55	9	
MS35198-25	5305	059-8459	57-9 57-15	7	
MS35198-26	5305	206-3188	17-141 57-16	2	
MS35198-27	5305	151-2359	17-67 57-7 57-8 57-16 57-17 57-18	18	
MS35198-28	5305	687-6694	17-71 57-16	3	
MS35198-40	5305	151-2093	56-11	1	
MS35198-42	5305	688-1852	4-29	2	
MS35198-7	5305	151-0858	57-23 57-24	2	
MS35200-12	5305	274-7557	59-19 62-30	3	P1 MO/N
MS35200-13	5305	059-7188	58-6 59-19 60-37 62-12 62-19 62-29 62-44	25	P1 MO/N
MS35200-14	5305	059-7189	60-33 62-2 62-14 62-21 62-31 62-33 62-35 62-38	16	
MS35200-16	5305	720-7620	62-43	2	
MS35200-2	5305	059-7177	60-10	3	P1 MO/N
MS35200-25	5305	059-7199	62-20 62-39	3	
MS35200-27	5305	688-2081	58-6 62-24	6	
MS35200-28	5305	722-3951	5-62	3	
MS35200-35	5305	722-2991	62-26	2	
MS35200-39	5305	690-6736	64-4	1	P1 MO/N
MS35200-41	5305	722-2990	62-36	2	
MS35200-42	5305	180-0024	62-32	4	

PART NUMBER	STOCK NUMBER		FIGURE AND INDEX NO.	QUANTITY PER ARTICLE	SOURCE CODE
	CLASS CODE	SERIAL OR PART NO.			
MS35214-1	5305	285-2574	61-17	6	P1 MO/N
MS35214-10	5305	285-3264	62-27	8	
			5-9		
MS35214-11	5305	206-1270	23-22	62	
			8-15		
			9-6		
			10-3		
			10-12		
			10-17		
			10-38		
			10-48		
			10-52		
			10-69		
			10-72		
			10-151		
			10-175		
			10-185		
			14-14		
			15-19		
			17-181		
			18-28		
20-13					
23-37					
25-6					
27-6					
28-13					
56-7					
MS35214-12	5305	085-5709	3-11	168	P1 MO/N
			4-18		
			5-53		
			6-25		
			9-7		
			10-4		
			10-18		
			10-57		
			10-59		
			10-73		
			10-80		
			10-145		
			10-148		
			10-174		
			10-188		
			11-2		
			11-29		
			11-34		
			12-4		
			12-12		
13-6					
13-11					
14-1					
15-5					
15-17					
17-38					
17-41					
17-102					
17-185					
17-190					

PART NUMBER	STOCK NUMBER		FIGURE AND INDEX NO.	QUANTITY PER ARTICLE	SOURCE CODE
	CLASS CODE	SERIAL OR PART NO.			
MS35214-12	5305	637-5884	17-209	2	P1 MO/N
MS35214-13	5305	207-7466	17-215		
			17-223		
			18-31		
			19-5		
			19-8		
			19-9		
			21-2		
			21-3		
			21-5		
			21-14		
			22-9		
			22-10		
			23-20		
			23-21		
			24-1		
			25-3		
			25-6		
			26-1		
			26-14		
			26-18		
			29-107		
			29-110		
			57-5		
			4-9	2	
			4-16	123	
			5-20		
			5-29		
			5-57		
			8-10		
			10-34		
			15-8		
			17-44		
			17-137		
			17-172		
			17-176		
			17-235		
			18-14		
			18-39		
			19-11		
			21-13		
			22-14		
			24-4		
			24-5		
			27-6		
			28-1		
			29-25		
			29-47		
			29-53		
			29-57		
			29-68		
			29-99		
			29-103		
			29-124		
			29-130		
			62-3		
			64-2		



PART NUMBER	STOCK NUMBER		FIGURE AND INDEX NO.	QUANTITY PER ARTICLE	SOURCE CODE
	CLASS CODE	SERIAL OR PART NO.			
MS35214-14	5305	206-2504	4-16 4-30 4-31 5-17 6-32 9-6 10-149.2 17-122 17-186 29-50 29-115 29-118 29-121 56-10 62-5	46	P1 MO/N
MS35214-15	5305	207-7463	5-21 11-35 12-13 17-93 18-3 21-15 23-27	14	P1 MO/N
MS35214-16	5305	207-7468	10-27 10-30 10-181 10-204 14-21 17-81 17-104 17-145 17-165 17-194 17-197 17-221 17-229 22-22 23-4 25-11 27-6 28-32	32	P1 MO/N
MS35214-17	5305	206-3712	7-2	4	P1 MO/N
MS35214-17	5305	151-2921	10-159 10-172 10-182 17-95 29-36	13	
MS35214-18			2-5 17-118	4	
MS35214-2	5305	282-5267	4-19 5-26 10-66	8	P1 MO/N
MS35214-22	5305	285-3260	17-51 17-56	9	
MS35214-23	5305	576-6003	10-197 18-10 26-16	11	P1 MO/N

PART NUMBER	STOCK NUMBER		FIGURE AND INDEX NO.	QUANTITY PER ARTICLE	SOURCE CODE
	CLASS CODE	SERIAL OR PART NO.			
MS35214-24	5305	206-3714	57-23 57-24 57-26 4-15 4-23 8-7 10-62 10-191 11-16 17-99 17-136 57-23 57-24 57-25	23	P1 MO/N
MS35214-26	5305	206-1287	18-20	1	
MS35214-27	5305	206-1288	17-21 17-79 17-142 57-7 57-8 62-12A	8	
MS35214-29			5-50	1	
MS35214-3	5305	151-2994	8-2 64-7	5	P1 MO/N
MS35214-4	5305	151-0639	17-131	2	
MS35214-42	5305	637-1124	4-29	2	
MS35214-49			56-11	2	
MS35215-51	5305	687-7342	62-39	2	
MS35216-1	5305	059-8536	60-26	2	
MS35216-1	5305	722-2989	61-9 61-12	3	
MS35216-10	5305	638-8032	57-21 57-22	5	
MS35216-11	5305	059-8446	61-13 62-35 62-37	4	
MS35216-12	5305	637-5643	62-17 62-25 64-3	11	P1 MO/N
MS35216-13	5305	059-8448	62-1 62-15 62-18 62-21	13	
MS35216-14	5305	059-8449	62-33 62-43	3	
MS35216-15	5305	059-8450	59-5 65-9	6	P1 MO/N
MS35216-16	5305	059-8451	65-19	10	
MS35216-2	5305	638-8031	2-8	2	
MS35216-23	5305	206-1662	59-7 59-16 59-17 59-18	12	P1 MO/N
MS35216-24	5305	059-8459	17-28 17-34 58-5	4	P1 MO/N

PART NUMBER	STOCK NUMBER		FIGURE AND INDEX NO.	QUANTITY PER ARTICLE	SOURCE CODE
	CLASS CODE	SERIAL OR PART NO.			
MS35216-25	5305	016-0925	59-10 61-8 62-20 62-23	9	P1 MO/N
MS35216-26	5305	206-8138	65-8	2	P1 MO/N
MS35216-27	5305	206-3276	58-5 60-41 60-46 62-40 62-41	12	P1 MO/N
MS35216-27	5305	584-6842	60-22	2	P1 MO/N
MS35216-29	5305	690-6739	61-3 61-4	4	
MS35216-3	5305	059-8438	58-2	2	P1 MO/N
MS35216-30	5305	638-3029	59-11	8	P1 MO/N
MS35216-68			64-1	4	P1 MO/N
MS35216-69			58-1	4	P1 MO/N
MS35216-73			65-9	1	
MS35217-54	5305	687-7218	61-16	4	
M72-16876-1			17-62	1	
NAS-51-37	5340	715-1152	60-85	1	P1 MO/N
NE-2	6240	179-1811	5-11	3	P1 MO/N
NS4W0105	5970	117-5204	10-14 17-140 18-9	3	
NS4W0106			17-27	1	
NS4W0112	5940	284-8667	17-23 17-144	3	
NS4W4101	5970	284-9779	17-206	1	
NS4W4201	5970	284-9780	17-207	1	
PC-3-1/2	5325	329-8021	60-98	4	
PF-3-1/2-38	5325	171-4938	60-96	4	
PM-40	5925	175-5197	61-3	1	
PP4B60A2	5910	552-9796	28-22 62-28	2	P1 MO/N
PP8B30A2	5910	666-7004	11-19	1	P1 MO/N
PS-3-1/2	5325	097-0423	60-97	4	
PS234-001	5930	549-0054	17-135	2	
PW-4097-1	5945	503-5057	62-16	1	
P1110	5910	649-1885	11-16	1	
R-110-2B-C	6105	241-8073	6-20	1	
R-125-100-PM-0235	6105	553-8616	10-144	1	
R-3309-2/16	5320	290-9144	65-21	4	
R-4008			60-44	4	
RC20BE223K	5905	171-2004	15-11	1	
RC20BF100J	5905	190-8883	11-18	1	
RC20BF104K	5905	195-6761	28-15.1	1	
RC20BF105K			10-43	1	
RC20BF152J	5905	279-1757	11-13	1	
RC20BF153K	5905	279-2616	15-12 15-13	4	
RC20BF274K	5905	190-8865	19-16	1	
RC20BF331K	5905	192-3971	15-22 19-20	2	
RC20BF334K	5905	279-2519	14-10 27-10	2	
RC20BF394K			19-16	1	

PART NUMBER	STOCK NUMBER		FIGURE AND INDEX NO.	QUANTITY PER ARTICLE	SOURCE CODE
	CLASS CODE	SERIAL OR PART NO.			
RC20BF474K	5905	279-2515	27-10	1	
RC20BF563K	5905	171-1986	10-40	1	
RC20BF683K	5905	116-8998	11-7	2	
			14-11		
RC20GF100K	5905	279-3883	18-21	1	P1 MO/N
RC20GF101K	5905	186-3008	28-20	1	P1 MO/N
RC20GF102K	5905	195-6817	10-50.2	4	P1 MO/N
			20-2		
			28-5		
RC20GF103K	5905	185-8518	9-5	1	P1 MO/N
			28-23	AR	
RC20GF104K	5905	192-3987	10-43	18	P1 MO/N
			14-8		
			14-16		
			15-24		
			17-239		
			22-12		
			23-8		
			23-34		
			26-8		
			28-10		
			28-15		
			28-15.1		
			39-8		
RC20GF105K	5905	192-3982	10-43	2	P1 MO/N
			11-3		
RC20GF120J	5905	279-1752	11-20	AR	
RC20GF122K	5905	195-6809	11-9	3	
			17-244	AR	
			28-28		
RC20GF123K	5905	190-8884	26-4	1	P1 MO/N
RC20GF124K	5905	195-6500	14-2	3	P1 MO/N
			28-27		
RC20GF130J	5905	279-3523	11-20	AR	
RC20GF150J	5905	279-3521	11-20	AR	
RC20GF150K	5905	279-3521	11-18	1	P1 MO/N
RC20GF151K	5905	279-1756	15-22	AR	P1 MO/N
			20-11	1	
RC20GF152J	5905	279-1757	11-13	1	P1 MO/N
RC20GF152K	5905	195-5514	17-244	AR	P1 MO/N
			22-17	1	
RC20GF153K	5905	190-8876	10-40	5	P1 MO/N
			14-18		
			15-13		
			26-2		
RC20GF160J	5905	279-3522	11-20	AR	
RC20GF180J	5905	279-1753	11-20	AR	
RC20GF181K	5905	279-3514	15-22	AR	P1 MO/N
RC20GF182K	5905	279-2672	17-244	AR	
RC20GF183K	5905	279-3500	26-15	1	P1 MO/N
RC20GF184K	5905	192-0662	14-6	1	P1 MO/N
RC20GF200J	5905	279-3520	11-20	AR	
RC20GF220J	5905	279-3519	11-20	AR	
RC20GF220K	5905	252-2995	10-15.2	1	P1 MO/N
RC20GF221K	5905	256-0409	15-22	AR	P1 MO/N
			26-10	2	
			28-6		

PART NUMBER	STOCK NUMBER		FIGURE AND INDEX NO.	QUANTITY PER ARTICLE	SOURCE CODE
	CLASS CODE	SERIAL OR PART NO.			
RC20GF222J	5905	279-1876	7-4	1	P1 MO/N
RC20GF222K	5905	171-2009	12-6	4	P1 MO/N
			17-244	AR	
			28-5		
RC20GF223K	5905	279-2029	12-7	6	P1 MO/N
			15-9		
			15-20		
			28-30		
RC20GF224K	5905	295-3409	11-8	8	P1 MO/N
			14-7		
			17-240		
			20-14		
			22-11		
RC20GF240J	5905	279-1750	11-20	AR	
RC20GF270J	5905	299-1879	11-20	AR	
RC20GF271K	5905	185-6966	15-22	AR	P1 MO/N
RC20GF272K	5905	537-6437	17-85	1	P1 MO/N
			17-244	AR	
			28-23	AR	
RC20GF273J	5905	279-3499	7-8	1	
RC20GF273K	5905	195-6758	15-11	3	P1 MO/N
			26-9		
			28-25		
RC20GF274J	5905	190-8865	7-9	1	P1 MO/N
RC20GF274K	5905	190-8865	14-4	3	P1 MO/N
			19-15		
RC20GF300J	5905	279-3518	11-20	AR	
RC20GF301J	5905	299-1965	60-38	2	P1 MO/N
RC20GF330J	5905	192-4490	11-20	AR	
RC20GF331K	5905	171-1997	15-22	AR	P1 MO/N
			15-25	5	
			26-7		
			28-11		
RC20GF332J	5905	279-3506	7-5	1	P1 MO/N
RC20GF332K	5905	195-6502	17-244	AR	P1 MO/N
			22-13	1	
			28-23	AR	
RC20GF333K	5905	249-4248	10-50	11	P1 MO/N
			11-7		
			17-83		
			20-1		
RC20GF334J	5905	279-2519	14-10	1	
RC20GF360J	5905	279-1885	11-20	AR	
RC20GF390J	5905	195-5546	11-20	AR	
RC20GF391K	5905	279-1809	15-22	AR	P1 MO/N
RC20GF392K	5905	185-6575	10-50.3	1	P1 MO/N
			17-244	AR	
			28-23	AR	
RC20GF393K	5905	190-8882	19-18	5	
			28-24		
RC20GF394K	5905	279-2517	19-16	1	P1 MO/N
RC20GF470J	5905	252-4018	7-6	1	P1 MO/N
RC20GF470K	5905	171-2002	17-243	1	P1 MO/N
RC20GF471K	5905	171-2005	15-22	AR	P1 MO/N
RC20GF472K	5905	195-6451	10-49	3	P1 MO/N
			17-89		
			28-7		

PART NUMBER	STOCK NUMBER		FIGURE AND INDEX NO.	QUANTITY PER ARTICLE	SOURCE CODE
	CLASS CODE	SERIAL OR PART NO.			
RC20GF473K	5905	295-3410	28-23 12-11 15-14 22-16 28-3	AR 8	P1 MO/N P1 MO/N
RC20GF474K	5905	185-6946	11-11 14-17 21-10 22-7 23-6 27-10	7	P1 MO/N
RC20GF561K	5905	195-6799	15-22 39-3	AR 1	P1 MO/N
RC20GF562K	5905	192-4408	17-244	AR	P1 MO/N
RC20GF563K	5905	192-3988	28-23 10-40 20-12 28-14	AR 11	
RC20GF564K	5905	279-2514	11-10	2	P1 MO/N
RC20GF681K	5905	256-0387	15-22 28-16	AR 1	P1 MO/N
RC20GF682K	5905	245-0023	28-23 11-7 14-11	AR ?	P1 MO/N
RC20GF753J	5905	279-3495	11-14 19-10	1 1	P1 MO/N P1 MO/N
RC20GF820K	5905	257-2631	15-22	AR	P1 MO/N
RC20GF821K	5905	171-1985	17-244	AR	P1 MO/N
RC20GF822K	5905		28-23	AR	
RC20GF823J	5905	279-3494	14-11 28-15.1	2	
RC20GF823K	5905	254-7097	20-10 28-4	2	P1 MO/N
RC20GF824K	5905	221-5848	56-2	1	P1 MO/N
RC30BF103K	5905	279-1719	15-10	1	
RC30BF153K			62-9	1	
RC30BF223K			62-10	1	
RC32GF101K	5905	279-2643	26-19	1	P1 MO/N
RC32GF103K	5905	279-1719	17-88 26-20	3	P1 MO/N
RC32GF104K	5905	539-1776	23-12	1	P1 MO/N
RC32GF163J	5905	299-2026	62-10	1	
RC32GF183K	5905	299-2023	62-10	1	P1 MO/N
RC32GF221K	5905	299-2053	11-12	1	P1 MO/N
RC32GF223K	5905	299-2019	28-2	1	P1 MO/N
RC32GF224K	5905	279-1714	23-30	1	P1 MO/N
RC32GF272K	5909	279-3837	62-9	1	
RC32GF273K	5905	258-6557	26-4.1	1	
RC32GF330K	5905	279-1734	62-8	1	P1 MO/N
RC32GF331K	5905	279-2645	19-20	1	
RC32GF332K	5905	299-2059	62-9	1	
RC32GF392K	5905	279-1721	62-7	1	P1 MO/N
RC32GF471K	5905	617-7226	11-17 26-21	2	P1 MO/N
RC32GF473K	5905	114-2714	23-23	1	P1 MO/N
RC32GF562K	5905	537-6462	62-9	1	P1 MO/N

PART NUMBER	STOCK NUMBER		FIGURE AND INDEX NO.	QUANTITY PER ARTICLE	SOURCE CODE
	CLASS CODE	SERIAL OR PART NO.			
RC32GF563K	5905	299-2012	28-8	1	P1 MO/N
RC32GF682K	5905	299-2036	15-10	1	P1 MO/N
RC32GF683K	5905	299-2012	28-9	1	P1 MO/N
RC32GF822K	5905	279-1718	15-12	2	P1 MO/N
RC42BE823K	5905	254-7096	62-22	1	
RC42GF120K	5905	251-7750	20-3	1	
RC42GF182K	5905	195-5524	57-14	1	P1 MO/N
RC42GF183K	5905	249-4227	57-14	1	
RC42GF333K	5905	192-3979	19-14	1	
RC42GF391K	5905	253-1231	28-31	1	P1 MO/N
RC42GF821K	5905	279-2286	22-18	1	
RN20X1000F	5905	643-6057	17-242	2	P1 MO/N
RN20X1001F	5905	283-8041	39-5	2	P1 MO/N
RN20X2212F	5905	258-0510	17-241	2	P1 MO/N
RN20X2672F	5905	283-8621	39-7	2	P1 MO/N
RW30G101	5905	502-4492	10-190	1	
RW30G121	5905	665-6854	10-190	1	P1 MO/N
RW30G350	5905	283-1747	57-7	1	P1 MO/N
RW30G5R0	5905	100-4002	62-33	1	P1 MO/N
RW30G800	5905	502-8073	18-13	1	P1 MO/N
RW32GR50	5905	299-7966	57-8	1	P1 MO/N
R41-1139	5945	241-4661	5-6	1	
R41-1140	5945	257-6349	10-68	2	P1 MO/N
R41-1966	5945	295-4512	5-6	1	
S-1-K-DD-7	3110	554-3307	64-10	1	X1
SK-7851	5925	109-2192	61-4	1	
SPP-3	5940	259-8050	17-18	5	
			56-9		
SR1	3110	801-2318	6-8	6	
			6-28		
SS442	6125	635-5480	61-15	1	
			63-	REF	
SS625	6125	604-8637	61-15	1	
			63-	REF	
ST-1050-34	5940	223-4822	9-6	23	P1 MO/N
			10-51		
			10-57.1		
			10-79		
			17-180		
			56-7		
S3-150	5325	508-5934	60-43	2	
TS102P01	5935	501-5744	10-54	21	P1 MO/N
			11-34		
			12-4		
			13-6		
			19-8		
			23-20		
			25-6		
			27-6		
			62-18		
TS102U02	5960	280-7093	11-31	4	P1 MO/N
			13-2		
TS102U03	5960	272-9092	62-15	1	P1 MO/N
TS103P01	5935	160-1365	11-29	8	P1 MO/N
			19-5		
			22-9		
			25-3		

PART NUMBER	STOCK NUMBER		FIGURE AND INDEX NO.	QUANTITY PER ARTICLE	SOURCE CODE
	CLASS CODE	SERIAL OR PART NO.			
UG-58A/U	5935	149-3483	4-17	2	
VCM15C100J			4-32		
			44-2	2	
			51-2		
VCM15C100K	5910	666-7170	15-26	1	
VCM15C150K	5910	648-7755	14-15	3	P1 MO/N
			15-26		
VCM15E101G	5910	184-3048	17-178	3	P1 MO/N
			18-1		
			21-4		
VCM15E101K	5910	253-5255	23-19	1	P1 MO/N
VCM15E151G	5910	669-2151	41-2	1	
VCM15E181G	5910	553-5840	37-2	4	P1 MO/N
			45-2		
			48-2		
			55-2		
VCM15E181J	5910	270-3181	47-2	1	P1 MO/N
VCM15E221G	5910	727-3992	11-6	3	P1 MO/N
			36-2		
			38-2		
VCM15E221K			14-5	2	P1 MO/N
			14-19		
VCM15E240J	5910	669-1795	40-2	1	P1 MO/N
VCM15E241G	5910	642-6777	32-2	2	P1 MO/N
			34-2		
VCM15E241J			23-29	1	
VCM15E301G	5910	727-3993	54-2	1	P1 MO/N
VCM15E331G	5910	644-6186	50-2	1	P1 MO/N
VCM15E331J	5910	648-9491	23-29	1	P1 MO/N
VCM15E360G	5910	666-7869	45-3	1	P1 MO/N
VCM15E361G	5910	264-9450	23-14	1	
VCM15E390G	5910	667-5759	15-2	2	P1 MO/N
			21-8		
VCM15E391J	5910	648-7894	23-32	1	P1 MO/N
VCM15E470G	5910	666-7886	15-2	1	
VCM15E510G	5910	614-4235	42-2	1	P1 MO/N
VCM15E510J			39-6	1	P1 MO/N
VCM15E560G	5910	544-6562	44-3	2	P1 MO/N
			50-3		
VCM15E560J	5910	648-7896	23-12.1	1	P1 MO/N
VCM15E620J	5910	556-0039	33-2	1	
VCM15E750G	5910	677-5565	35-2	1	P1 MO/N
VCM15E910G	5910	648-7889	15-3	1	P1 MO/N
X1983-3	5340	530-6420	23-31	2	
0A2	5960	188-3564	12-3	1	
009-1263-00	4140	561-6749	2-5	1	
009-1277-00	4140	541-5903	8-4	1	
009-1289-00	4140	202-9230	4-15	1	
009-1304-00	4140	640-5776	4-15	1	
			8-	REF	
009-1361-00	4140	620-5765	4-15	1	
			8-	REF	
012-1151-00			60-28	2	P1 MO/N
012-1162-00	5325	449-2798	60-29	2	P1 MO/N
012-1194-00	5325	508-5934	60-43	2	
012-1521-00	5325	171-4938	60-96	4	
012-1522-00	5325	329-8021	60-97	4	



PART NUMBER	STOCK NUMBER		FIGURE AND INDEX NO.	QUANTITY PER ARTICLE	SOURCE CODE
	CLASS CODE	SERIAL OR PART NO.			
012-1523-00	5325	097-0423	60-98	4	
024-0019-00	5120	223-6995	4-5	1	
024-0160-00			65-5	1	
024-0166-00			65-4	1	
024-2900-00	5120	288-9084	4-3	1	
024-9710-00	5120	224-2482	4-6	1	
024-9730-00	5120	249-9670	4-4	1	
06536	5950	646-0098	62-41	1	
1N137A			23-7	1	
1N198	5960	284-6516	17-84	2	P1 MO/N
			39-9		
1N67A	5960	296-0159	23-7	1	
10-639-2	5950	638-2401	16-10	2	
10X035	5950	648-3088	62-42	1	
1006			65-4	1	
1011	5940	549-8834	57-16	23	
1024	5940	636-7105	59-5	5	P1 MO/N
			59-8		
10404-32	5999	642-4780	57-6.1	1	
106-FP	5940	500-9326	23-28	5	P1 MO/N
			59-6		
1066	5340	663-2350	10-76	2	P1 MO/N
			61-12		
1126	5340	258-1816	17-187	2	
			62-21		
1126	5340	285-1816	57-6	2	
			57-6.1		
1180	5940	204-8298	7-7	3	
			28-26		
1181	5940	552-3642	17-246	1	
126-150-1000	5935	302-6274	57-2	7	
126-151-1001	5935	295-5006	9-4	6	
			11-35		
			12-13		
			21-15		
			23-27		
126-804-1000	5935	518-9989	22-22	1	
126-805-1000	5935	259-3948	57-3	3	
126-806-1001	5935	173-5908	4-20	8	P1 MO/N
			10-203		
			14-21		
			17-192		
			17-227		
			25-11		
			28-32		
126-807-1002	5935	280-2957	57-1	8	
			57-4		
130K	5910	668-0506	22-14	1	P1 MO/N
139-0264-00	5340	663-2350	10-76	2	P1 MO/N
			62-12		
139-0311-00	5340	258-1816	17-187	2	
			62-21		
139-0360-00			10-65	2	
139-0369-00	5960	390-5810	5-25	3	P1 MO/N
			65-21		
139-0648-00	5340	285-1816	57-6	2	
			57-6.1		

PART NUMBER	STOCK NUMBER		FIGURE AND INDEX NO.	QUANTITY PER ARTICLE	SOURCE CODE
	CLASS CODE	SERIAL OR PART NO.			
139-3300-00			62-20	1	
139-4400-00	5340	646-3679	62-14	1	
141-0143-00	5960	262-0015	13-3	2	P1 MO/N
141-0144-00	5960	280-7093	11-31	4	P1 MO/N
			13-2		
141-0145-00	5960	272-9092	62-15	1	P1 MO/N
142	5940	155-7749	6-19	48	P1 MO/N
			6-27		
			29-105		
			59-13		
15-5153-16	6105	556-8888	17-196	1	
150-1540-00	5340	286-6587	10-210	1	P1 MO/N
150-1541-00	5340	664-3120	10-206	2	P1 MO/N
150-1542-00	5340	664-3124	4-16	1	
150-1543-00	5340	598-0539	57-24	3	
150-1545-00	5340	664-8167	57-23	3	
150-1546-00	5340	634-7837	57-26	2	
150-1547-00	5340	598-0457	57-25	2	
15052	5950	648-3504	61-18	2	
15260	5950	645-9148	21-3	2	
154570	5821	518-6791	17-179	1	
15849A	5950	518-3148	22-6	1	
16218	5950	090-0211	62-43	1	
18-1117	5950	645-7431	17-87	4	
			18-7		
			26-3		
			26-11		
1805-00			59-14	96	
184-0072-00			61-14	3	
184-6527-00			62-24	2	P1 MO/N
184-6533-00	5910	112-8466	57-15	2	P1 MO/N
184-7000-00	5910	552-9796	28-22	2	P1 MO/N
			62-28		
184-7003-00	5910	666-7004	11-19	1	P1 MO/N
184-7010-00	5910	666-6989	19-11	1	P1 MO/N
184-7022-00			10-15.1	1	P1 MO/N
184-7037-00	5910	668-7569	11-19	2	
			28-22		
184-9007-00	5910	648-8854	61-14	3	P1 MO/N
18926	5950	645-9094	62-31	1	
190-0001-00	5970	284-9779	17-206	1	
190-0005-00	5970	284-9780	17-207	1	
190-0010-00	5970	117-5204	17-140	3	
			18-9		
190-0011-00			17-27	1	
190-0014-00	5940	284-8667	17-23	3	
			17-144		
190-1105-00	5970	117-5189	18-30	2	
19059	5950	645-8966	11-30	1	
200-031	4140	541-5903	8-4	1	
200-0384-00			64-1	4	P1 MO/N
200-0556-00			58-3	4	P1 MO/N
			64-8		
201-0002-00	5325	202-1503	17-174	1	
201-0008-00	5325	249-6354	64-6	1	
201-0020-00	5325	638-9386	10-142	1	P1 MO/N
201-0022-00			56-3	1	

PART NUMBER	STOCK NUMBER		FIGURE AND INDEX NO.	QUANTITY PER ARTICLE	SOURCE CODE
	CLASS CODE	SERIAL OR PART NO.			
201-0075-00	5325	551-8061	10-82	2	P1 MO/N
			10-143		
201-1040-00	5325	254-3462	16-12.1	2	
201-1160-00			65-15	1	
201-1201-00			65-16	1	
201-1250-00			65-17	1	
2020-J	5940	204-5233	5-45	1	
2041	5940	636-5317	4-23	8	
			57-16		
			57-17		
			62-37		
			62-39		
2052	5940	636-5438	15-27	3	P1 MO/N
			21-17		
			22-23		
209C203A2	5910	578-5507	18-8	3	
2102-04-00	5940	177-7973	7-1	24	
			7-2		
			10-45		
			10-57.2		
			10-75		
			10-177		
			10-199		
			17-69		
			17-77		
			17-108		
			17-230		
			23-20		
			23-37.1		
2102-6	5940	549-8677	17-53	9	P1 MO/N
			17-69.1		
2104-4	5940	156-7342	9-6	17	
			9-7		
			13-11		
			19-5		
			19-8		
			21-13		
			21-18		
			29-101		
			62-17		
			62-29		
2104-6	5940	156-7344	5-48	1	P1 MO/N
2110-06			17-203	3	
			18-11		
2110-4	5940	601-2075	11-34	7	P1 MO/N
			18-37		
			62-44		
219C	4140	202-9230	4-15	1	
22NM-02			61-15	6	
220-1005-00	5935	539-5758	18-34	9	P1 MO/N
			21-13		
			23-21		
			62-21		
220-1103-00	5935	160-1365	11-29	8	P1 MO/N
			19-5		
			22-9		
			25-3		

PART NUMBER	STOCK NUMBER		FIGURE AND INDEX NO.	QUANTITY PER ARTICLE	SOURCE CODE
	CLASS CODE	SERIAL OR PART NO.			
220-1111-00	5935	501-5744	10-54 11-34 12-4 13-6 19-8 23-20 25-6 27-6 62-18	21	P1 MO/N
220-1227-00			65-1	1	
220-1228-00			65-2	1	
220-1229-00			65-3	1	
22300-45	5945	259-5694	61-20	1	
22300-52	5945	259-6424	61-19	1	
22300-54	5945	258-9850	12-5 25-7	3	
22300-62	5945	259-6419	12-8 17-74	3	
2285	5325	249-6354	64-6	1	P1 MO/N
229-0126-00	6105	556-8888	17-196	1	
230-0129-00	6105	241-8073	6-20	1	
230-0190-00	6105	556-8610	8-27	1	
230-0199-00	6105	643-1112	5-23 10-144	2	P1 MO/S
230-0235-00	6105	553-8616	10-144	1	
230-0241-00	6105	556-8609	8-13	1	
230-0277-00	6105	688-4971	8-13	1	
231-0062-00	6125	635-5480	61-15 63-	1 REF	
231-0109-00	6125	604-8637	61-15 63-	1 REF	
234-0089-00			63-17	1	
234-0090-00			63-15	1	
234-0091-00			63-7	1	
234-0092-00			63-8	1	
234-0093-00			63-20	1	
234-0094-00			63-22	1	
234-0103-00	5977	238-7316	63-18	1	
234-0104-00	5977	238-7317	63-16	1	
234-0105-00	5977	238-9717	63-21	1	
234-0106-00	5977	249-5734	63-23	1	
234-0278-00	5977	257-7056	63-14	2	
234-0399-00	3110	293-8645	8-22	1	
234-0400-00	3110	144-8832	8-23	1	
234-0401-00	5310	579-4189	8-21	AR	
234-0402-00	5310	579-4188	8-21	AR	
234-0404-00	5310	579-4159	8-21	AR	
234-0512-00	5910	668-2088	63-3 63-4 63-5	3	P1 MO/N
234-0513-00	6125	284-0399	63-13	1	
234-0514-00			63-12	2	
234-0516-00	4140	473-9094	63-1	1	
234-0517-00	5977	038-2787	63-9	1	
234-0518-00	5977	296-2495	63-10	1	
234-0519-00			63-2	AR	

PART NUMBER	STOCK NUMBER		FIGURE AND INDEX NO.	QUANTITY PER ARTICLE	SOURCE CODE
	CLASS CODE	SERIAL OR PART NO.			
234-0520-00			63-2	AR	
234-0521-00			63-2	AR	
234-0593-00			63-11	2	
234-0596-00			8-9	1	
234-0597-00			8-1	1	
234-0598-00			8-31	1	
234-0599-00			8-33	1	
234-0611-00			8-28	1	
234-0612-00			8-30	1	
234-0718-00	5940	620-2763	63-26	1	
234-0746-00			8-24	1	
234-0747-00	4140	595-3194	8-6	1	
234-0748-00	4140	529-2117	8-17	1	
234-0801-00			8-20	1	
234-0802-00			8-14	1	
234-0858-00			63-24	1	
234-0859-00	6125	686-5005	63-25	1	
234-0954-00	3110	722-5045	8-22	1	
234-0956-00	3110	722-5041	8-23	1	
234-0961-00			63-7	1	
234-0962-00			63-8	1	
234-1002-00			8-29	1	
234-1003-00			8-29	1	
234-1004-00			8-29	1	
234-1005-00			8-32	1	
234-1023-00	5977	688-5385	63-21	1	
234-1024-00	5977	706-6248	63-16	1	
234-1025-00	5977	688-5386	63-9	1	
234-1026-00	5977	688-4974	63-10	1	
234-1027-00			63-6	2	
234-1028-00	5910	615-0078	63-3	1	
234-4090-00	5977	518-8992	63-19	2	
234-4120-00			63-6	2	
24	5940	186-8958	62-25	3	
			62-42		
240-0013-00	5950	646-0098	62-41	1	
240-0020-00	5950	237-1534	62-40	1	
240-0023-00	5950	518-1979	59-2	40	P1 MO/N
240-0026-00	5950	250-8733	59-3	2	P1 MO/N
240-0073-00	5950	387-0489	14-20	4	P1 MO/N
			23-25		
			39-10		
240-0084-00	5950	561-6364	10-44	2	P1 MO/N
			57-11		
240-0125-00	5950	561-6410	57-10	1	
240-0134-00	5950	645-7431	17-87	4	
			18-7		
			26-3		
			26-11		
240-0138-00	5950	648-3088	62-42	1	
240-0192-00	5999	642-4780	57-6.1	1	
240-0196-00	5950	561-6366	15-21	3	P1 MO/N
			23-36		
240-0288-00			62-12A	1	
240-6000-00	5950	645-4388	59-9	1	P1 MO/N
241-0076-00	5915	668-8182	62-39	1	
2522-06-00	5940	502-7415	17-58	10	

PART NUMBER	STOCK NUMBER		FIGURE AND INDEX NO.	QUANTITY PER ARTICLE	SOURCE CODE
	CLASS CODE	SERIAL OR PART NO.			
			17-202		
			23-21		
			25-7		
			28-13		
			57-19		
25220-A	5950	645-9048	56-11	1	
253-0001-00	5960	230-5235	10-10	3	P1 MO/N
			27-3		
253-0003-00	5960	553-6065	13-5	3	P1 MO/N
			19-7		
253-0005-00	5960	509-3053	13-4	8	
			23-3		
			25-5		
			27-5		
253-0007-00	5960	166-7658	27-4	4	
253-0009-00	5960	509-3049	11-27	4	P1 MO/N
			22-3		
			25-2		
253-0012-00	5960	669-6862	11-28	2	P1 MO/N
			19-3		
253-0013-00	5960	508-1017	19-4	2	P1 MO/N
			22-2		
256-0102-00	5960	038-2906	17-1	5	P1 MO/N
			21-1		
257-0052-00	5960	188-3564	12-3	1	
259-0611-00	5930	090-1226	7-11	1	
259-0652-00	5930	548-5214	60-86	1	P1 MO/N
26-159-32	5935	258-2980	57-5	2	
26-190(32)-1	5935	259-3476	59-5	1	P1 MO/N
26-807	5935	396-3142	57-4	1	
260-4550-00	5925	175-5197	61-3	1	
260-4560-00	5925	109-2192	61-4	1	
26088			62-43	1	
262-0025-00	6240	179-1811	5-11	3	P1 MO/N
			10-14		
262-0179-00	6240	155-7836	60-16	3	P1 MO/N
262-0335-00	6210	548-0125	60-14	2	P1 MO/N
262-0348-00	6250	299-7271	60-94	3	P1 MO/N
262-0430-00			60-15	1	P1 MO/N
264-4030-00			61-5	2	
264-4050-00	5920	428-5725	61-5	2	
264-4070-00	5920	665-2884	61-1	2	
265-1019-00	5920	503-0863	61-2	4	
			61-6		
265-5010-00	5940	204-5233	5-45	1	
269-1614-00	5930	296-7098	10-29	1	P1 MO/N
269-1615-00	5930	549-0261	10-179	1	P1 MO/N
269-1616-00	5930	202-0826	10-153	1	
269-1617-00	5930	549-0255	10-26	1	
269-1618-00	5930	549-0257	10-163	6	P1 MO/N
269-1619-00	5930	548-5621	10-165	6	P1 MO/N
269-1620-00	5930	549-0269	17-253	1	
269-1621-00	5930	549-0260	17-208	1	
269-1622-00	5930	549-0262	5-52	1	
269-1623-00	5930	296-7114	29-18	6	
			29-41		
269-1624-00	5930	549-0263	29-32	1	

PART NUMBER	STOCK NUMBER		FIGURE AND INDEX NO.	QUANTITY PER ARTICLE	SOURCE CODE
	CLASS CODE	SERIAL OR PART NO.			
269-1627-00	5930	549-0254	17-135	2	
269-1628-00	5930	549-0268	17-216	1	
269-1635-00	5930	549-0258	60-80	1	P1 MO/N
269-1652-00	5930	549-0259	60-65	1	P1 MO/N
2757			8-30	1	
280-0458-00			4-19	2	
			61-17		
280-1058-00	5821	685-4778	2-8	4	M1
			60-25		
			61-12		
			64-7		
2854	5325	638-9386	10-142	1	P1 MO/N
2858			56-3	1	
288-1112-00	5950	621-9697	16-6	1	
288-1113-00	5950	338-2401	16-10	2	
29F444	5910	666-6989	19-11	1	P1 MO/N
29F472			10-15.1	1	P1 MO/N
29F473	5910	668-7569	11-19	2	
			28-22		
			23-11	1	
290-1599-00			10-167.1	1	P1 MO/N
290-2000-00			10-167.1	1	P1 MO/N
290-2002-00			10-167.1	1	P1 MO/N
290-2006-00			10-167.1	1	P1 MO/N
290-2012-00			10-167.1	1	P1 MO/N
290-2018-00			10-167.1	1	P1 MO/N
290-2020-00			10-167.1	1	P1 MO/N
290-2025-00			10-167.1	1	P1 MO/N
290-2027-00			10-167.1	1	P1 MO/N
290-2029-00			10-167.1	1	P1 MO/N
290-2031-00			10-167.1	1	P1 MO/N
290-2033-00			10-167.1	1	P1 MO/N
290-2036-00			10-167.1	1	P1 MO/N
290-2056-00			10-167.1	1	P1 MO/N
290-2078-00			10-167.1	1	P1 MO/N
290-2081-00			10-167.1	1	P1 MO/N
290-2084-00			10-167.1	1	P1 MO/N
290-2086-00			10-167.1	1	P1 MO/N
290-2088-00			10-167.1	1	P1 MO/N
290-2114-00			10-167.1	1	P1 MO/N
290-2117-00			10-167.1	1	P1 MO/N
290-2118-00			10-167.1	1	P1 MO/N
290-2152-00			10-167.1	1	P1 MO/N
290-2153-00			10-167.1	1	P1 MO/N
290-2154-00			10-167.1	1	P1 MO/N
290-2157-00			10-167.1	1	P1 MO/N
290-2158-00			10-167.1	1	P1 MO/N
290-2159-00			10-167.1	1	P1 MO/N
290-2161-00			10-167.1	1	P1 MO/N
290-2164-00			10-167.1	1	P1 MO/N
290-2169-00			10-167.1	1	P1 MO/N
290-2172-00			10-167.1	1	P1 MO/N
290-2174-00			10-167.1	1	P1 MO/N
290-2177-00			10-167.1	1	P1 MO/N
290-2187-00			10-167.1	1	P1 MO/N
290-2191-00			10-167.1	1	P1 MO/N
290-2197-00			10-167.1	1	P1 MO/N

PART NUMBER	STOCK NUMBER		FIGURE AND INDEX NO.	QUANTITY PER ARTICLE	SOURCE CODE
	CLASS CODE	SERIAL OR PART NO.			
290-2215-00			10-167.1	1	P1 MO/N
290-2222-00			10-167.1	1	P1 MO/N
290-2226-00			10-167.1	1	P1 MO/N
290-2232-00			10-167.1	1	P1 MO/N
290-2243-00			10-167.1	1	P1 MO/N
290-2244-00			10-167.1	1	P1 MO/N
290-2245-00			10-167.1	1	P1 MO/N
290-2246-00			10-167.1	1	P1 MO/N
290-2278-00			10-167.1	1	P1 MO/N
290-2279-00			10-167.1	1	P1 MO/N
290-2280-00			10-167.1	1	P1 MO/N
290-2283-00			10-167.1	1	P1 MO/N
290-2284-00			10-167.1	1	P1 MO/N
290-2285-00			10-167.1	1	P1 MO/N
290-2287-00			10-167.1	1	P1 MO/N
290-2288-00			10-167.1	1	P1 MO/N
290-2289-00			10-167.1	1	P1 MO/N
290-2290-00			10-167.1	1	P1 MO/N
290-2291-00			10-167.1	1	P1 MO/N
290-2293-00			10-167.1	1	P1 MO/N
290-2297-00			10-167.1	1	P1 MO/N
290-2307-00			10-167.1	1	P1 MO/N
290-2308-00			10-167.1	1	P1 MO/N
290-2309-00			10-167.1	1	P1 MO/N
290-2317-00			10-167.1	1	P1 MO/N
290-2335-00			10-167.1	1	P1 MO/N
290-2336-00			10-167.1	1	P1 MO/N
290-2337-00			10-167.1	1	P1 MO/N
290-2338-00			10-167.1	1	P1 MO/N
290-2339-00			10-167.1	1	P1 MO/N
290-2340-00			10-167.1	1	P1 MO/N
290-2341-00			10-167.1	1	P1 MO/N
290-2342-00			10-167.1	1	P1 MO/N
290-2343-00			10-167.1	1	P1 MO/N
290-2344-00			10-167.1	1	P1 MO/N
290-2348-00			10-167.1	1	P1 MO/N
290-2349-00			10-167.1	1	P1 MO/N
290-2353-00			10-167.1	1	P1 MO/N
290-2354-00			10-167.1	1	P1 MO/N
290-2355-00			10-167.1	1	P1 MO/N
290-2356-00			10-167.1	1	P1 MO/N
290-2357-00			10-167.1	1	P1 MO/N
290-2358-00			10-167.1	1	P1 MO/N
290-2362-00			10-167.1	1	P1 MO/N
290-2365-00			10-167.1	1	P1 MO/N
290-2378-00			10-167.1	1	P1 MO/N
290-2403-00			10-167.1	1	P1 MO/N
290-2404-00			10-167.1	1	P1 MO/N
290-2405-00			10-167.1	1	P1 MO/N
290-2479-00			65-12	1	
290-2482-00			65-12	1	
290-2483-00			65-12	1	
290-2487-00			65-12	1	
290-2735-00			10-167.1	1	P1 MO/N
290-2737-00			10-167.1	1	P1 MO/N
290-2738-00			65-12	1	
290-2758-00			10-167.1	1	P1 MO/N



Section III  
Numerical Index

T.O. 12R2-4-6-4

PART NUMBER	STOCK NUMBER		FIGURE AND INDEX NO.	QUANTITY PER ARTICLE	SOURCE CODE
	CLASS CODE	SERIAL OR PART NO.			
290-2785-00			10-167.1	1	P1 MO/N
290-2786-00			10-167.1	1	P1 MO/N
290-2787-00			10-167.1	1	P1 MO/N
290-2791-00			10-167.1	1	P1 MO/N
290-2800-00			10-167.1	1	P1 MO/N
290-2801-00			10-167.1	1	P1 MO/N
290-2812-00			10-167.1	1	P1 MO/N
290-2817-00			10-167.1	1	P1 MO/N
290-2825-00			10-167.1	1	P1 MO/N
290-2826-00			10-167.1	1	P1 MO/N
290-2866-00			65-12	1	
290-2867-00			65-12	1	
290-2869-00			65-12	1	
290-2870-00			65-12	1	
290-3542-00			10-167.1	1	P1 MO/N
291-8168-00			65-12	1	
292-0059-00	5935	536-1784	65-19	10	
292-0102-00	5955	561-6401	23-10	1	
300	5945	553-9611	11-33	1	
3001B1-10			8-14	1	
301-1002-00	5940	259-8050	17-18	5	
			56-9		
302-0011-00			10-36	2	P1 MO/N
302-0024-00	5310	174-1157	17-96	14	P1 MO/N
			17-119		
			17-123		
302-0025-00			17-100	18	P1 MO/N
			56-1		
			59-11		
302-0026-00	5310	527-8746	60-24		
			17-22	23	
			17-24		
			17-30		
			17-138		
			17-143		
			17-205		
			18-12		
			62-40		
			62-41		
302-0086-00	5970	688-2757	10-193	3	
302-0087-00	5970	688-2759	10-194	3	P1 MO/N
302-0262-00	5330	599-6869	5-54	28	
			17-218		
			17-255		
			29-20		
			29-34		
			29-43		
302-2300-00	5970	285-0172	12-12	16	
			18-17		
			57-7		
			57-8		
			62-33		
302-4800-00			65-19	10	
3030			65-15	1	
304-0015-00	5940	644-8722	11-29	11	P1 MO/N
			12-8		

PART NUMBER	STOCK NUMBER		FIGURE AND INDEX NO.	QUANTITY PER ARTICLE	SOURCE CODE
	CLASS CODE	SERIAL OR PART NO.			
304-0016-00	5940	230-8125	13-6 15-5 57-6 57-6.1 60-34 10-16.2 10-160 57-5 57-9 57-15 57-18	8	P1 MO/N
304-0020-00	5940	505-7751	25-3 25-6 25-7 26-14	5	
304-0114-00	5940	549-8834	57-16	23	P1 MO/N
304-0140-00	5940	636-7105	59-5 59-8	3	
304-1300-00	5940	636-5317	4-23 57-16 57-17 62-37 62-39	8	
304-1900-00	5940	636-5438	15-27 21-17 22-23	3	
304-2710-00	5940	601-2075	11-34 18-37 62-44	7	
304-2720-00			17-203	3	
304-3110-00	5940	177-7973	18-11 7-1 7-2 10-45 10-57.2 10-75 10-177 10-199 17-69 17-69.1 17-77 17-108 17-230 23-20 23-37.1	24	P1 MO/N
304-3120-00	5940	549-8677	17-53 17-69.1	9	
304-4200-00	5940	502-7415	17-58 17-202 23-21 25-7 28-13 57-19	10	
304-5200-00	5940	186-8958	62-25 62-42	3	
304-6300-00	5940	155-7749	6-19	58	P1 MO/N

PART NUMBER	STOCK NUMBER		FIGURE AND INDEX NO.	QUANTITY PER ARTICLE	SOURCE CODE
	CLASS CODE	SERIAL OR PART NO.			
304-6910-00	5940	156-7342	6-27 29-105 59-13 9-6 9-7 13-11 19-5 19-8 21-13 21-18 29-101 62-17 62-29	17	P1 MO/N
304-6920-00	5940	156-7344	5-48	1	P1 MO/N
304-7200-00	5940	553-3084	57-18 59-15	3	
304-8000-00	5940	221-0101	62-36	2	X1
305-0008-00			60-44	4	
305-0467-00			64-8 64-11	6	
305-0468-00			64-10	2	X1
305-0469-00			64-11	2	X1
305-4512-00	5320	290-9144	65-21	4	P1 MO/N
305-9009-00			58-3	4	
306-0060-00			23-28 59-6	5	
306-0072-00	5940	500-9326	59-6	2	P1 MO/N
306-0091-00	5940	223-4822	9-6 10-51 10-57.1 10-79 17-180 56-7	23	
306-0233-00	5940	504-3799	18-27	1	P1 MO/N
306-0234-00	5940	271-9944	5-28 10-149.1 12-5 14-14 15-19 17-92 20-13 23-22 25-6 26-14 27-6 28-13 57-20 62-30	40	P1 MO/N
306-0293-00	5940	204-8298	7-7 28-26	3	P1 MO/N
306-0325-00	5940	552-3642	17-246	1	
308-3000-00	5340	489-4487	64-5	1	P1 MO/N
309-0002-00			5-70 6-10 6-30 17-225 29-133	7	
309-0083-00				1	

PART NUMBER	STOCK NUMBER		FIGURE AND INDEX NO.	QUANTITY PER ARTICLE	SOURCE CODE
	CLASS CODE	SERIAL OR PART NO.			
309-0113-00			17-258	1	
309-0120-00			29-134	1	
309-0121-00			10-109	2	X1
309-0122-00	3120	661-5056	10-111	6	
			10-217		
309-0123-00	3120	293-6268	10-110.1	9	
			10-218		
309-0125-00	3120	540-7365	10-110	3	X1
			10-219		
309-0349-00	3110	801-2318	6-8	6	
			6-28		
309-0370-00	3110	198-0155	5-63	6	
			5-71		
			6-9		
			6-29		
309-1360-00	3110	554-3307	64-10	1	X1
309-5540-00			17-188	10	
			29-27		
			29-132		
310-0006-00	5310	803-7895	64-9	1	P1 MO/N
310-0007-00			62-33	1	
310-0034-00	5310	298-6501	4-32	4	
310-0045-00	5310	167-0798	4-16	7	
			18-16		
			57-21		
			57-22		
310-0046-00	5310	595-5371	59-11	10	P1 MO/N
			60-23		
310-0049-00	5310	685-1450	65-7	2	
310-0054-00	5310	282-4577	5-22	22	P1 MO/N
			10-35		
			10-208		
			10-212		
			12-12		
			17-45		
			17-97		
			17-120		
			17-124		
			17-184		
310-0055-00	5310	688-1416	5-51	7	
			17-139		
			56-1		
310-0056-00			10-192	18	P1 MO/N
			17-204		
			57-7		
			57-8		
			57-23		
			57-24		
			57-25		
			57-26		
310-0059-00	5310	688-0245	10-195	5	P1 MO/N
			12-12		
			17-16		
310-0060-00	5310	688-0244	18-18	3	
			57-7		
			57-8		
310-0071-00	5310	298-6506	58-5	6	P1 MO/N
			60-42		

PART NUMBER	STOCK NUMBER		FIGURE AND INDEX NO.	QUANTITY PER ARTICLE	SOURCE CODE
	CLASS CODE	SERIAL OR PART NO.			
310-0072-00	5310	209-4462	3-1 3-2 3-3 3-4 3-5 3-6 3-7 3-8 3-9 4-1 4-2	32	P1 MO/N
310-0076-00	5310	184-8996	4-9	2	P1 MO/N
310-0079-00	5310	167-0660	2-1	4	
310-0095-00	5310	184-8996	27-6	4	
310-0121-00			59-5	4	P1 MO/N
310-0148-00	5310	264-6840	17-17	2	
310-0279-00	5310	282-9588	17-4	1	
310-0282-00	5310	298-6506	4-15	4	
310-0288-00	5310	209-0955	61-7 65-9	3	
310-3340-00	5310	596-7682	4-17 5-4 5-8 6-4 10-22 10-133 17-9 17-13 29-3 29-5.2 29-58	50	P1 MO/N
310-6360-00	5310	167-0799	62-20 62-33	3	
311-0017-00			17-115	1	
311-0417-00	5315	058-9697	10-117 10-120 10-123 10-126 10-140	5	
311-0418-00	5315	297-1351	10-84 10-97 10-129	3	P1 MO/N
311-1122-30			5-32 5-67.1 64-9	3	P1 MO/N
311-1132-30			64-9	1	P1 MO/N
312-0046-00			17-199	1	
312-0064-00	5307	660-3133	28-13	1	
312-0067-00	5307	206-7514	29-45	4	
312-0069-00			29-25	2	
312-3050-00	5307	680-6603	17-32	1	
312-3080-00	5305	282-4077	17-26 62-24	3	
313-0002-00	5310	176-8093	61-8 61-18 62-20 62-26 62-39	18	

PART NUMBER	STOCK NUMBER		FIGURE AND INDEX NO.	QUANTITY PER ARTICLE	SOURCE CODE
	CLASS CODE	SERIAL OR PART NO.			
313-0017-00	5310	268-6103	62-32	6	P1 MO/N
313-0037-00	5310	266-0516	62-36	2	
313-0039-00			58-2	61	
			25-11		
			28-32		
			29-33		
			29-97.1		
			29-102		
			29-106		
313-0043-00	5310	167-1376	59-5	50	P1 MO/N
			60-31		
			60-35		
			61-19		
			61-20		
			62-12		
			62-14		
			62-17		
			62-18		
			62-21		
			62-29		
			62-31		
			62-35		
			62-38		
			62-44		
			65-18		
			65-19		
313-0045-00	5310	176-8093	59-11	8	P1 MO/N
313-0050-00	5310	176-8125	2-2	11	P1 MO/N
			17-129		
			23-16		
			64-7		
313-0051-00	5310	167-1360	4-16	174	P1 MO/N
			4-20		
			5-46		
			9-6		
			9-7		
			10-46		
			10-55		
			10-157		
			10-170		
			10-180		
			10-202		
			10-205		
			10-209		
			10-213		
			11-29		
			11-30		
			11-34		
			11-35		
			12-4		
			12-13		
			12-14		
			13-6		
			13-9		
			13-11		
			14-21		
			15-4		

PART NUMBER	STOCK NUMBER		FIGURE AND INDEX NO.	QUANTITY PER ARTICLE	SOURCE CODE
	CLASS CODE	SERIAL OR PART NO.			
313-0053-00	5310	167-1364	15-5	43	P1 MO/N
			15-8		
			15-27		
			17-75		
			17-103		
			17-106		
			17-183		
			17-193		
			17-228		
			17-231		
			18-35		
			19-5		
			19-8		
			19-11		
			20-9		
			21-3		
			21-5		
			21-13		
			21-14		
			21-15		
			21-16		
			21-17		
			22-9		
			22-14		
			22-22		
			22-23		
			23-20		
			23-27		
			23-37		
			23-37.1		
			25-3		
			25-6		
			25-7		
27-6					
28-13					
62-3					
64-2					
11-16					
22-6					
57-9					
57-15					
57-16					
57-17					
57-18					
313-0054-00	5310	639-7704	62-37	2	P1 MO/N
313-0064-00	5310	263-8462	60-87	1	
313-0082-00	5310	050-3531	4-24	6	
313-0112-00	5310	176-8129	4-27	2	P1 MO/N
			61-7		
			29-125		
313-0140-00	5310	596-7079	17-200	6	
			56-1		
313-0149-00	5310	685-7345	23-31	2	
313-0156-00	5310	208-6513	7-2	60	
			12-5		
			12-8		
			16-2		

PART NUMBER	STOCK NUMBER		FIGURE AND INDEX NO.	QUANTITY PER ARTICLE	SOURCE CODE
	CLASS CODE	SERIAL OR PART NO.			
324-0300-00	5305	638-6275	23-4 23-21 57-1 57-2 57-3 57-4 57-6 57-6.1 5-3 6-3 10-23 10-134 17-10 17-14 29-2 29-5.3	19	P1 MO/N
324-0303-00	5305	510-1479	17-5	1	
328-0005-00	5305	680-6633	17-110 17-134 17-149 17-151.1 17-155 17-160 17-248	17	
328-0008-00			8-5	2	
328-0018-00	5305	207-1362	17-113	2	
328-0019-00	5305	282-3133	60-2 60-8 60-13 60-20 60-49	12	P1 MO/N
328-0020-00			60-18	2	P1 MO/N
328-0137-00			8-18	2	
330-2010-00	5305	685-2646	2-3 61-10	4	
333-0204-00	5310	297-9071	60-99	2	
333-0349-00	5310	515-8053	29-63	4	
333-0385-00			61-15	6	
333-0427-00			65-9	1	
334-0063-00	5325	489-5007	10-215	5	
334-0251-00	5310	687-7462	10-154	2	P1 MO/N
334-0253-00	5310	208-5778	9-2	3	
334-0254-00	5310	559-0575	11-23 11-24 12-9 13-7 13-8 13-10 15-1 15-6 15-7 20-4 25-8 25-9 25-10 27-7 27-8 62-34	37	P1 MO/N



PART NUMBER	STOCK NUMBER		FIGURE AND INDEX NO.	QUANTITY PER ARTICLE	SOURCE CODE
	CLASS CODE	SERIAL OR PART NO.			
334-0260-00	5310	800-5281	4-13 5-15 6-23 9-3	5	
334-0264-00	5310	685-7346	5-39 10-90 10-103	3	P1 MO/N
334-0444-00	5310	141-3007	20-5 20-6 62-11	3	
334-0485-00	5310	639-6536	5-2 6-2 10-21 10-132 17-3 17-8 17-12 29-5.1	9	P1 MO/N
334-0856-00	5310	674-7632	65-20	6	
334-4062-00	5310	596-8412	20-5 20-6 62-11	3	
334-4121-00	5310	298-9023	7-11 7-10	2	
335-0008-00			29-55	2	
335-0023-00	5305	687-6811	8-32	4	
3380FH			60-85	1	
340-0013-00	5340	715-1152	5-34	1	P1 MO/N
340-0025-00	5340	205-4318	5-38 6-17 10-89 10-102 17-151	5	P1 MO/N
340-0040-00			17-210	1	
340-0086-00	5340	598-7530	5-13 10-78 17-169 29-113 60-63 60-68	2	
340-0087-00	5340	205-6519	10-114 17-121.1 29-11 29-127	12	P1 MO/N
340-0090-00	5340	514-2821	10-115 29-38	17	P1 MO/N
340-0091-00	5340	598-1388	60-72	5	P1 MO/N
340-0114-00	5340	545-4736	8-19	2	P1 MO/N
340-0187-00			23-31	1	
340-0507-00	5340	530-6420	23-9	2	
340-2090-00	5821	329-0006	59-19 62-30	2	
342-0044-00	5305	294-7557	58-6 59-19 60-37 62-12 62-19	3	P1 MO/N
342-0045-00	5305	059-7188		25	P1 MO/N

PART NUMBER	STOCK NUMBER		FIGURE AND INDEX NO.	QUANTITY PER ARTICLE	SOURCE CODE
	CLASS CODE	SERIAL OR PART NO.			
342-0046-00	5305	059-7189	62-29 62-44 60-33 62-2 62-14 62-21 62-31 62-33 62-35 62-38	16	
342-0048-00	5305	720-7620	62-43	2	
342-0062-00	5305	059-7199	62-20 62-39	3	
342-0064-00	5305	688-2081	58-6 62-24	6	
342-0065-00	5305	722-3951	5-62	3	
342-0074-00	5305	722-2991	62-26	2	
342-0077-00	5305	690-6736	64-4	1	P1 MO/N
342-0079-00	5305	722-2990	62-36	2	
342-0080-00	5305	180-0024	62-32	4	
342-0132-00	5305	059-7177	60-10	3	P1 MO/N
342-0142-00	5305	685-1534	10-7 59-1	26	P1 MO/N
342-0147-00	5305	151-0858	57-23 57-24	2	
342-0152-00	5305	151-1321	10-200 11-22 15-27 22-23 23-37.1 56-7 56-8 57-5 57-20	29	P1 MO/N
342-0153-00	5305	151-1320	4-8 5-66 6-21 12-14 17-233 20-9 21-16 21-17 56-10 64-2	20	P1 MO/N
342-0154-00	5305	151-0871	4-31 6-7 10-211 23-37 57-6 57-6.1	11	P1 MO/N
342-0155-00	5305	151-1318	17-164	2	
342-0156-00	5305	015-7872	10-204 17-146 17-157 17-166 30-3 31-2	59	

PART NUMBER	STOCK NUMBER		FIGURE AND INDEX NO.	QUANTITY PER ARTICLE	SOURCE CODE
	CLASS CODE	SERIAL OR PART NO.			
			32-4		
			33-3		
			34-4		
			35-3		
			36-3		
			37-5		
			38-4		
			40-4		
			41-4		
			42-4		
			43-4		
			44-4		
			45-4		
			46-4		
			47-5		
			48-4		
			49-3		
			50-4		
			51-3		
			52-4		
			53-3		
			54-4		
			55-3		
342-0157-00	5305	151-1757	4-20	38	
			57-1		
			57-2		
			57-3		
			57-4		
342-0166-00	5305	151-2355	4-7	8	
342-0167-00	5305	151-2356	17-49	9	
			17-55		
342-0168-00	5305	059-8459	57-9	7	
			57-15		
342-0169-00	5305	206-3188	17-141	2	
			57-16		
342-0170-00	5305	151-2359	17-67	18	
			57-7		
			57-8		
			57-16		
			57-17		
			57-18		
342-0171-00	5305	687-6694	17-71	3	
			57-16		
342-0184-00	5305	151-2093	56-11	1	
342-0186-00	5305	688-1852	4-29	2	
342-0311-00			65-20	6	
342-0313-00	5305	151-1320	2-5	2	
342-0321-00			65-18	4	
342-0778-00	5305	687-5830	17-63	4	
343-0008-00	5305	687-7530	60-60	2	P1 MO/N
343-0036-00	5305	584-6842	60-22	2	P1 MO/N
343-0122-00	5305	059-8536	60-26	2	
343-0124-00	5305	059-8438	58-2	2	
343-0131-00	5305	638-8032	57-21	5	P1 MO/N
			57-22		
343-0132-00	5305	059-8446	61-13	4	
			62-35		

PART NUMBER	STOCK NUMBER		FIGURE AND INDEX NO.	QUANTITY PER ARTICLE	SOURCE CODE
	CLASS CODE	SERIAL OR PART NO.			
343-0133-00	5305	637-5643	62-37 62-17 62-25	11	P1 MO/N
343-0134-00	5305	059-8448	64-3 62-1 62-15 62-18 62-21	13	
343-0135-00	5305	059-8449	62-33 62-43	3	
343-0136-00	5305	059-8450	59-5 65-9	6	P1 MO/N
343-0137-00	5305	059-8451	65-19	10	
343-0154-00			10-207	2	
343-0157-00	5305	720-7761	4-16 60-82	4	P1 MO/N
343-0167-00	5305	206-1662	59-7 59-16 59-17 59-18	12	P1 MO/N
343-0168-00	5305	059-8459	17-28 17-34 58-5	4	P1 MO/N
343-0169-00	5305	016-0925	59-10 61-8 62-20 62-23	9	P1 MO/N
343-0170-00	5305	206-8138	65-8	2	
343-0171-00	5305	206-3276	58-5 60-41 60-46 62-40 62-41	12	P1 MO/M
343-0174-00	5305	690-6739	61-3 61-4	4	
343-0175-00	5305	638-8029	59-11	8	P1 MO/N
343-0227-00	5305	687-7218	61-16	4	
343-0264-00			64-1	4	P1 MO/N
343-0265-00			58-1	2	P1 MO/N
343-0269-00			65-9	1	
343-0283-00	5305	285-3264	5-9 23-22	8	
343-0284-00	5305	206-1270	8-15 9-6 10-3 10-12 10-17 10-38 10-48 10-52 10-69 10-72 10-151 10-175 10-185 14-14 15-19	65	P1 MO/N

PART NUMBER	STOCK NUMBER		FIGURE AND INDEX NO.	QUANTITY PER ARTICLE	SOURCE CODE
	CLASS CODE	SERIAL OR PART NO.			
343-0285-00	5305	085-5709	17-181 18-28 20-13 23-37 25-6 27-6 28-13 56-7 3-11 4-18 5-53 6-25 9-7 10-4 10-18 10-57 10-59 10-73 10-80 10-145 10-148 10-174 10-188 11-2 11-29 11-34 12-4 12-12 13-6 13-11 14-1 15-5 15-17 17-38 17-41 17-102 17-185 17-190 17-209 17-215 17-223 18-31 19-5 19-8 19-9 21-2 21-3 21-5 21-14 22-9 22-10 23-20 23-21 24-1 25-3 25-6 26-1	168	P1 MO/N

PART NUMBER	STOCK NUMBER		FIGURE AND INDEX NO.	QUANTITY PER ARTICLE	SOURCE CODE
	CLASS CODE	SERIAL OR PART NO.			
343-0286-00	5305	207-7466	26-14 26-18 29-107 29-110 57-5 4-16 5-20 5-29 5-57 8-10 10-34 15-8 17-44 17-137 17-172 17-176 17-235 18-14 18-39 19-11 21-13 22-14 24-4 24-5 27-6 28-1 29-15 29-47 29-53 29-57 29-68 29-99 29-103 29-124 29-130 62-3 64-2	123	P1 MO/N
343-0287-00	5305	206-2504	4-16 4-30 4-31 5-17 6-32 9-6 10-149.2 17-122 17-186 29-50 29-115 29-118 29-121 56-10 62-5	46	P1 MO/N
343-0288-00	5305	207-7463	5-21 11-35 12-13 17-93 18-3	14	P1 MO/N

PART NUMBER	STOCK NUMBER		FIGURE AND INDEX NO.	QUANTITY PER ARTICLE	SOURCE CODE
	CLASS CODE	SERIAL OR PART NO.			
343-0289-00	5305	207-7468	21-15 23-27 10-27 10-30 10-181 10-204 14-21 17-81 17-104 17-145 17-165 17-194 17-197 17-221 17-229 22-22 23-4 25-11 27-6 28-32	42	P1 MO/N
343-0290-00	5305	151-2921	10-159 10-172 10-182 17-95 29-36	11	P1 MO/N
343-0291-00			2-5 17-118	4	
343-0297-00	5305	285-2574	61-17 62-27	6	
343-0298-00	5305	282-5267	4-19 5-26 10-66	8	P1 MO/N
343-0299-00	5305	151-2994	8-2 64-7	5	P1 MO/N
343-0300-00	5305	151-0639	17-131	2	
343-0311-00	5305	637-1124	4-29	2	
343-0319-00			56-11	2	
343-0327-00	5305	285-3260	17-51 17-56	9	
343-0328-00	5305	576-6003	10-197 18-10 26-16 57-23 57-24 57-26	11	P1 MO/N
343-0329-00	5305	206-3714	4-15 4-23 8-7 10-62 10-191 11-16 17-99 17-136 57-23 57-24 57-25	23	P1 MO/N
343-0331-00	5305	206-1287	18-20	1	
343-0332-00	5305	206-1288	17-21	9	

PART NUMBER	STOCK NUMBER		FIGURE AND INDEX NO.	QUANTITY PER ARTICLE	SOURCE CODE
	CLASS CODE	SERIAL OR PART NO.			
			17-79		
			17-142		
			57-7		
			57-8		
			62-12A		
343-0334-00			5-50	1	
343-0343-00	5305	687-7342	62-39	2	
343-0384-00	5305	151-2997	7-7	6	
			28-26		
343-0392-00	5305	687-7340	17-237	2	
343-0667-00	5305	722-2989	61-9	3	
			61-12		
343-0669-00	5305	638-8031	2-8	2	
343-0684-00	5305	680-9318	60-4	4	P1 MO/N
343-1894-00	5305	637-5884	4-9	2	
343-1904-00	5305	206-3712	7-2	4	
347-0007-00	5305	497-3971	5-24	2	
347-0090-00	5305	206-2654	5-7	3	
			11-30		
347-0091-00	5305	151-1320	4-17	10	
			29-19		
			29-42		
347-0094-00			17-217	2	
347-0096-00	5305	688-0141	17-254	2	
347-0105-00	5305	687-6692	4-32	4	
347-0111-00	5305	687-7532	17-153	1	
347-0839-00	5305	145-6916	2-2	5	
353-0121-00	6130	635-5681	62-26	2	
353-0123-00	6130	284-1014	62-3	1	
353-0147-00	5960	296-0159	23-7	1	
353-0152-00	5960	642-8706	23-7	1	P1 MO/N
353-0160-00	5960	284-6516	17-84	2	P1 MO/N
			39-9		
353-0185-00	5960	552-9522	17-245	3	
			39-2		
353-0205-00	5960	519-6178	28-29	1	
354-1021-00	5945	553-9611	11-33	1	
357-9003-00	5935	149-3483	4-17	2	
			4-32		
357-9129-00	5935	583-7058	4-32	1	
357-9195-00	5935	295-3064	60-30	1	P1 MO/N
358-1040-00	5935	283-1269	4-11	2	
358-1050-00	5935	643-6685	4-12	1	
361-0006-00	5821	518-6791	17-179	1	
367-0518-00	5940	552-4664	59-11	4	M
370-2051-00	5935	259-4074	62-32	1	
370-2052-00	5935	295-3056	64-4	1	P1 MO/N
372-1069-00	5935	173-5908	4-20	8	P1 MO/N
			10-203		
			14-21		
			17-192		
			17-227		
			25-11		
			28-32		
372-1071-00	5935	280-2957	57-1	8	
			57-4		



PART NUMBER	STOCK NUMBER		FIGURE AND INDEX NO.	QUANTITY PER ARTICLE	SOURCE CODE
	CLASS CODE	SERIAL OR PART NO.			
372-1074-00	5935	518-9989	22-22	1	
372-1076-00	5935	259-3948	57-3	3	
372-1079-00	5935	295-5006	9-4	6	
			11-35		
			12-13		
			21-15		
			23-27		
372-1081-00	5935	302-6274	57-2	7	
372-1116-00	5935	502-8306	4-13	4	
			6-22		
			7-3		
			8-25		
372-1123-00	5935	301-3717	5-14	1	
372-1124-00	5935	295-6479	4-21	4	
			9-3		
372-1125-00	5935	257-8683	4-22	1	
372-1133-00	5935	259-3476	59-5	2	P1 MO/N
372-1138-00	5935	258-2980	57-5	2	
372-1159-00			8-26	1	
372-1616-00	5935	396-3142	57-4	1	
373-0001-00	5310	550-3460	62-26	4	
373-0005-00	5310	167-0719	60-52	5	P1 MO/N
			60-55		
			60-58		
			60-92		
373-0006-00	5310	262-1739	64-7	2	P1 MO/N
373-0039-00	5310	209-1237	60-83	2	P1 MO/N
373-0041-00			59-14	96	
373-0080-00	5310	167-0721	11-23	36	P1 MO/N
			11-24		
			12-9		
			13-7		
			13-8		
			13-10		
			15-1		
			15-6		
			15-7		
			20-4		
			25-8		
			25-9		
			25-10		
			27-7		
			27-8		
			62-34		
373-0081-00	5310	167-0722	4-11	6	P1 MO/N
			4-12		
			20-5		
			20-6		
			60-88		
373-0103-00	5310	167-0873	2-8	2	
373-0114-00	5310	551-6306	10-8	2	P1 MO/N
373-2020-00			17-57	1	
373-3020-00			17-68	3	
			17-201		
373-3050-00	5310	167-0856	9-2	5	
			23-31		
373-3120-00	5310	261-7586	2-2	13	P1 MO/N

PART NUMBER	STOCK NUMBER		FIGURE AND INDEX NO.	QUANTITY PER ARTICLE	SOURCE CODE
	CLASS CODE	SERIAL OR PART NO.			
373-5042-00 373-7010-00	5310 5310	167-0870 184-8961	4-19 17-130 23-16 58-1 2-5 4-16 4-18 4-30 4-31 6-26 6-33 11-29 11-30 11-34 17-39 17-64 17-67.1 17-76 17-107 17-224 17-232 18-15 18-29 18-36 23-20 23-21 23-22 23-37 23-37.1 56-10 57-6 57-6.1 4-23 17-35 17-52 57-9 57-15 57-16 57-17 57-18 4-29 56-11 62-37	4 49	P1 MO/N P1 MO/N
373-7020-00	5310	187-8601	5-10 5-18 5-30 5-58 7-2 8-11 8-16 9-6 9-7 10-5 10-13 10-19 10-39 10-47 10-53	61	
373-7030-00	5310	167-0848		6	
373-8010-00	5310	167-0866		381	P1 MO/N

PART NUMBER	STOCK NUMBER		FIGURE AND INDEX NO.	QUANTITY PER ARTICLE	SOURCE CODE
	CLASS CODE	SERIAL OR PART NO.			
			10-56		
			10-60		
			10-70		
			10-74		
			10-81		
			10-146		
			10-149		
			10-149.3		
			10-152		
			10-176		
			10-189		
			10-201		
			11-1		
			12-1		
			12-4		
			12-5		
			12-8		
			12-12		
			12-14		
			13-1		
			13-6		
			13-9		
			13-11		
			14-14		
			15-4		
			15-5		
			15-19		
			15-27		
			16-3		
			17-147		
			17-157.1		
			17-167		
			17-173		
			17-177		
			17-191		
			19-1		
			19-5		
			19-8		
			20-9		
			20-13		
			21-2		
			21-3		
			21-13		
			21-14		
			21-16		
			21-17		
			22-5		
			22-9		
			22-23		
			23-1		
			24-4		
			24-5		
			25-3		
			25-6		
			25-7		
			26-14		
			28-13		

PART NUMBER	STOCK NUMBER		FIGURE AND INDEX NO.	QUANTITY PER ARTICLE	SOURCE CODE
	CLASS CODE	SERIAL OR PART NO.			
373-8020-00	5310	167-0867	29-16	49	P1 MO/N
			29-48		
			29-51		
			29-54		
			29-69		
			29-97.2		
			29-100		
			29-104		
			29-108		
			29-116		
			29-119		
			29-122		
			29-131		
			57-5		
			59-7		
			60-32		
			60-36		
			61-13		
			61-19		
			61-20		
			62-1		
			62-14		
			62-15		
			62-17		
			62-18		
			62-21		
			62-29		
			62-31		
			62-35		
			62-38		
			62-43		
			62-44		
			64-2		
			64-3		
			65-9		
			5-47		
			8-8		
			10-63		
			10-198		
			22-6		
			59-7		
			59-10		
			59-16		
			59-17		
			59-18		
			60-47		
			61-8		
			61-18		
			62-20		
62-23					
62-39					
65-8					
373-8030-00	5310	596-7693	62-32	6	P1 MO/N
373-8040-00	5310	167-0869	62-36	6	
373-8050-00	5310	167-0870	61-16	6	
			62-39		
			4-24	8	P1 MO/N

PART NUMBER	STOCK NUMBER		FIGURE AND INDEX NO.	QUANTITY PER ARTICLE	SOURCE CODE
	CLASS CODE	SERIAL OR PART NO.			
373-8500-00	5310	167-0873	4-27 64-1 5-27 8-3 10-67 58-2 60-5	13	P1 MO/N
373-8610-00	5310	209-0738	28-26	4	
380-0891-00	5905	258-3728	60-90	1	P1 MO/N
380-5255-00	5905	502-2084	62-11	1	
380-5257-00	5905	174-8258	62-11	1	
380-5259-00	5905	258-6824	20-5	1	P1 MO/N
380-5266-00	5905	295-6374	20-6	1	P1 MO/N
380-6262-00	5905	665-6806	9-2	3	P1 MO/N
380-6883-00	5905	295-6143	60-56	1	P1 MO/N
380-6885-00	5905	295-3489	60-53	1	P1 MO/N
380-6886-00	5905	295-4568	60-50	2	P1 MO/N
4007-4	5940	644-8722	11-29 12-8 13-6 15-5 57-6 57-6.1 60-34	11	P1 MO/N
4007-6	5940	230-8125	10-16.2 10-160 57-5 57-9 57-15 57-18 62-36 62-16	8	P1 MO/N
401-1255-00	5945	257-0317	5-6	1	
402-0219-00	5945	241-4661	10-68	2	P1 MO/N
410-0074-00	5945	257-6349	5-6	1	
410-0075-00	5945	295-4512	8-24	1	
410-0109-00	6625	025-7110	7-2	1	
4101B56-1	6625	684-7879	65-17	1	
458-0164-00	6625	553-3084	7-2	1	
4757	5940	57-18	59-15	3	P1 MO/N
476-0216-00	5950	621-9697	16-6	1	
5-#6	5310	275-1487	59-10 57-1 57-2 57-3 57-4 59-11	2 48	M1
50-1511-1	5310	167-0813	10-85 10-98	2	P1 MO/N
500-0457-001	5905	523-5829	57-8	1	
500-1073-003	5975	396-3111	59-18 20-9 21-16 62-38	4 4	M1 M1
500-1098-003	5975	396-3111	17-82 57-23	4 2	
500-1143-007					
500-2749-001					
500-4328-001					
500-5273-001					
500-5966-001					

PART NUMBER	STOCK NUMBER		FIGURE AND INDEX NO.	QUANTITY PER ARTICLE	SOURCE CODE
	CLASS CODE	SERIAL OR PART NO.			
500-6222-001			57-24		
500-6224-001	5820	327-4959	62-35	1	
500-6430-001	5307	576-0133	29-22	1	
5000-87			60-79	2	M
502-1132-002	5826	392-7176	8-19	1	
			5-42	3	P1 O/N
			10-93		
			10-106		
502-1146-002			(Superseded by 504-0740-003)		
502-1157-002	5310	531-9051	60-51	5	P1 MO/N
			60-54		
			60-57		
			60-91		
502-1164-002	5330	641-1260	5-41	3	P1 O/N
			10-92		
			10-105		
502-1375-002	5940	502-8541	18-33	2	
502-1383-002			(NHA 542-5646-003)		
502-1427-002	5935	302-5754	27-6	2	
502-1664-001			23-37	4	
502-1668-001			23-4	2	
502-1825-002	5826	320-7070	5-36	3	P1 O/N
			10-88		
			10-101		
502-6005-002	5950	355-9866	16-7	26	
			29-61		
502-7029-002	5826	332-7260	5-35	3	P1 O/N
			10-87		
502-7030-002	5820	392-9134	5-35	4	P1 O/N
			10-100		
502-9582-001			10-37	2	M1
502-9589-001			62-5	3	
502-9594-001			62-43	2	
503-0970-001	5820	670-2785	12-12	3	
			18-19		
			62-33		
503-4920-001	5821	091-0566	5-40		P1 O/N
			10-91		
			10-104		
503-4970-001	5821	509-8585	61-8	2	
503-5079-002	5821	219-6317	5-12	3	P1 O/N
			10-77		
503-7091-002			5-33	1	
503-9725-002	5310	596-8847	10-94	2	P1 O/N
			10-107		
504-0740-003			10-113	AR	
504-5729-002	5821	607-7659	10-71	2	M1
504-7200-002	5321	302-3483	10-86	2	P1 O/N
			10-99		
504-7354-001			64-10	1	M1
504-7357-001	5826	540-8908	64-9	2	M1
504-7358-002			64-11	1	M1
504-7366-002	5975	510-4121	64-9	1	P1 MO/N
504-7368-002	5305	327-4505	64-9	1	P1 MO/N
504-7537-002	4730	396-3116	5-1	14	
			6-1		
			10-20		

PART NUMBER	STOCK NUMBER		FIGURE AND INDEX NO.	QUANTITY PER ARTICLE	SOURCE CODE
	CLASS CODE	SERIAL OR PART NO.			
504-7789-003	5821	302-3576	10-131		
504-8229-001	5940	665-9041	17-7		
504-8640-001			29-5		
505-0197-002			5-12	1	
505-4435-002			65-19	10	
505-5213-001			61-7	2	
505-5700-002	5930	562-3605	58-1	4	P1 MO/N
505-7424-003			17-43	1	
505-8432-003			17-198	1	
506-0881-002			60-89	1	P1 MO/N
506-1123-002			17-42	1	
506-1177-002			23-9	1	
			(NHA 542-5646-003)		
			62-17	2	M1
			2-2	2	
506-1178-002	5821	572-9726	61-9		
			2-4	4	
506-1544-002			61-11		
			18-4	26	
			30-3		
			31-2		
			32-4		
			33-3		
			34-4		
			35-3		
			36-3		
			37-5		
			38-4		
			40-4		
			41-4		
			42-4		
			43-4		
			44-4		
			45-4		
			46-4		
			47-5		
			48-4		
			49-3		
			50-4		
			51-3		
			52-4		
			53-3		
			54-4		
			55-3		
506-1546-002			18-5	26	
			30-3		
			31-2		
			32-4		
			33-3		
			34-4		
			35-3		
			36-3		
			37-5		
			38-4		
			40-4		
			41-4		
			42-4		

PART NUMBER	STOCK NUMBER		FIGURE AND INDEX NO.	QUANTITY PER ARTICLE	SOURCE CODE
	CLASS CODE	SERIAL OR PART NO.			
506-1564-002			43-4		
			44-4		
			45-4		
			46-4		
			47-5		
			48-4		
			49-3		
			50-4		
			51-3		
			52-4		
			53-3		
			54-4		
			55-3		
			30-1		25
			31-1		
			32-1		
			33-1		
			34-1		
			35-1		
			36-1		
			37-1		
			38-1		
			40-1		
			41-1		
			42-1		
		43-1			
		44-1			
		45-1			
		46-1			
		47-1			
		48-1			
		49-1			
		50-1			
		51-1			
		52-1			
		53-1			
		54-1			
		55-1			
506-4166-002			17-220	4	
506-4254-001			58-1	1	
506-4255-001			58-1	1	
506-4256-001	5340	522-4798	58-1	1	
506-4257-001			58-1	1	
506-4288-003			59-20	1	P1 MO/N
506-4289-001			59-5	4	M1
506-4380-002			17-40	1	
506-4381-002			17-111	1	
506-4382-002	5821	541-4169	17-109	1	
506-4383-002	5310	601-1236	29-129	1	
506-4385-002			57-7	1	
506-5777-005	5821	538-0824	3-2	2	
			11-	REF	
506-5902-003	5310	559-0897	10-158	6	P1 MO/N
			10-171		
506-5903-003	5310	559-0896	10-162	1	P1 MO/N
506-5906-003	5310	167-0798	29-59	44	
			29-65		
			65-19		



Section III  
Numerical Index

T.O. 12R2-4-6-4

PART NUMBER	STOCK NUMBER		FIGURE AND INDEX NO.	QUANTITY PER ARTICLE	SOURCE CODE
	CLASS CODE	SERIAL OR PART NO.			
506-5908-003	5310	167-0813	29-31	AR	
			29-39	AR	
506-5909-003	5310	167-0813	29-31	AR	
			29-39	AR	
506-5910-003	5310	167-0812	29-12	10	
			29-13		
			29-24		
			29-128		
506-5911-003	5310	167-0812	29-12	3	
			29-24		
506-5921-003	5310	639-6536	4-24	3	
			4-27		
506-6070-002			3-2	14	M1
			3-3		
			3-4		
			3-6		
			3-7		
			3-8		
506-6072-002			11-1	10	
			12-1		
			13-1		
			19-1		
			22-5		
506-6073-002	5340	530-6418	3-1	28	P1 MO/N
			3-2		
			3-3		
			3-4		
			3-5		
			3-6		
			3-7		
			3-8		
			3-9		
			23-1		
506-6076-002			2-5	1	
506-6079-002	5305	558-3583	2-1	4	
506-6080-003			2-7	1	
506-6081-003			4-14	1	
506-6086-003	5305	576-0807	3-5	3	
506-6087-003	5305	576-1079	3-9	4	
506-6088-003	5305	639-2232	3-2	14	P1 MO/N
			3-3		
			3-4		
			3-6		
			3-7		
			3-8		
506-6089-004	5935	560-5920	4-9	1	
506-6093-004			11-1	4	
			12-1		
			22-5		
			23-1		
506-6095-004			2-1	1	
506-6098-005	5821	505-3563	2-6	1	
506-6100-002			7-11	1	
506-6101-002	5355	533-2350	7-10	1	
506-6103-003			7-12	1	
506-6104-004			4-8	1	
			7-	REF	

PART NUMBER	STOCK NUMBER		FIGURE AND INDEX NO.	QUANTITY PER ARTICLE	SOURCE CODE
	CLASS CODE	SERIAL OR PART NO.			
506-6106-005			3-7	1	
506-6107-003	5821	578-4119	22- 22-21	REF 1	
506-6109-004			13-1	2	P1 MO/N
			19-1		
506-6113-004			22-24	1	
506-6115-004			22-10	1	
506-6124-002			11-22	1	
506-6126-003	6625	564-9562	11-21	1	
506-6127-003			11-2	1	
506-6129-003			11-36	1	
506-6192-002	5950	560-5923	23-31	2	
506-6208-003			23-37	1	
506-6211-003	5950	560-5924	23-16	1	
506-6215-004			3-8	1	
			2- 23-38	REF 1	
506-6216-004			10-6	1	M1
506-6410-002			3-1	4	P1 MO/N
506-6412-002	5305	639-2231	10-186	3	M1
506-6417-002	5970	552-0815	10-184	1	M1
506-6418-002			10-28	6	M1
506-6419-002			10-31		
			10-183		
506-6420-002			10-161	2	M1
506-6421-002			10-164	12	M1
506-6422-002			10-166	10	M1
506-6423-002			10-155	2	M1
506-6424-002			10-167	2	M1
506-6426-002			10-16	1	
506-6427-002			10-156	1	A1
506-6428-002			10-196	1	M1
506-6431-002			10-58	1	
506-6433-002			10-137	1	P1 MO/N
506-6434-002			10-138	1	P1 MO/N
506-6435-002			10-64	3	M1
506-6436-002			10-173	2	M1
506-6437-002			10-147	1	M1
506-6442-002			10-150	1	P1 MO/N
506-6444-002	5821	332-1030	10-96	1	P1 O/N
506-6445-002	5821	332-1031	10-83	1	P1 O/N
506-6446-002	5821	510-4824	10-108	1	P1 O/N
506-6449-002	5821	510-4825	10-95	1	P1 O/N
506-6450-002	5821	544-3398	10-116	1	P1 O/N
506-6451-002			10-118	6	
			10-121		
			10-124		
			10-127		
			10-130		
			10-141		
506-6455-002	5821	302-3480	10-119	1	P1 O/N
506-6457-002	5821	302-3481	10-122	1	P1 MO/N
506-6460-002	5821	348-3696	10-125	1	P1 O/N
506-6463-002	5821	332-1033	10-135	1	P1 O/N
506-6466-002	5821	302-7794	10-128	1	P1 O/N
506-6468-002	5821	302-7795	10-139	1	P1 MO/N
506-6472-002	5821	332-1029	10-136	1	P1 O/N

Section III  
Numerical Index

T.O. 12R2-4-6-4

PART NUMBER	STOCK NUMBER		FIGURE AND INDEX NO.	QUANTITY PER ARTICLE	SOURCE CODE
	CLASS CODE	SERIAL OR PART NO.			
506-6475-003	5821	505-3372	10-1	1	A1
506-6478-003			10-2	1	P1 O/S
506-6481-003	5935	258-4713	10-169	1	P1 MO/N
506-6482-003	1280	696-2725	10-24	1	P1 MO/N
506-6483-003	5355	518-0104	10-25	1	P1 MO/N
506-6486-003			10-187	1	A1
506-6487-003			10-214	1	
506-6488-003			10-216	1	
506-6492-003			10-220	1	
506-6494-003			10-112	1	
506-6495-004	5821	519-3024	3-1	1	P1 MO/S
			10-	REF	
506-6496-004	5821	348-3692	10-11	1	M1
506-6501-004			10-61	1	
506-6504-002			4-25	1	
506-6505-002	5821	315-0273	4-28	1	
506-6507-002			4-29	4	
506-6509-002			4-30	4	
506-6510-002			4-31	2	
506-6511-002			4-26	2	
506-6512-003	5821	347-4625	4-27	1	
506-6513-003			4-24	1	
506-6514-003			9-8	1	
506-6517-004			4-7	1	
506-6519-004			4-16	1	
			9-	REF	
506-6522-005			4-34	1	
506-6597-002	5821	302-7789	6-13	1	
506-6600-002	5821	302-7790	6-12	1	
506-6603-002	5821	302-7792	6-14	1	
506-6607-002	5821	560-5929	6-15	1	
506-6610-002	5821	302-7791	6-11	1	
506-6611-002	6625	547-4447	6-16	1	
506-6612-002			6-7.1	3	
506-6613-002			6-31	2	
506-6614-002			4-2	3	
506-6615-002			6-7.2	1	
506-6616-002			6-24	1	
506-6618-002			5-1	3	
			6-1		
			17-2		
506-6619-002	5310	659-4009	6-18	2	
506-6620-003			6-34	1	
506-6621-003			6-6	1	
506-6624-005			4-2	1	
			6-	REF	
506-6625-006	1600	013-635-070	3-3	1	P1 MO/S
			12-	REF	
506-6626-003			12-15	1	
506-6627-003			12-14	1	
506-6635-002			57-5	1	
506-6636-002			57-5	1	
506-6637-002	5310	688-1753	57-5	4	
506-6643-002			3-11	1	
506-6644-002			56-8	4	
506-6646-003			56-12	1	
506-6647-003			57-28	1	

PART NUMBER	STOCK NUMBER		FIGURE AND INDEX NO.	QUANTITY PER ARTICLE	SOURCE CODE
	CLASS CODE	SERIAL OR PART NO.			
506-6651-005			3-10	1	
			56-	REF	
			57-	REF	
506-6655-002			64-3	1	X1
506-6656-002			64-11	1	X1
506-6657-002			64-10	1	X1
506-6659-002	5821	590-3623	64-2	4	P1 MO/N
506-6666-004			64-12	1	X1
506-6667-006			3-6	1	
			19-	REF	
506-6668-002			19-11	1	
506-6670-003	5821	553-9336	19-21	1	
506-6672-003	5821	553-2745	21-11	1	
506-6673-003			21-5	1	
506-6674-003			21-12	1	
506-6676-004			21-19	1	
506-6677-004	5821	538-4604	21-2	1	
506-6679-004			19-9	1	
506-6681-004	5821	552-1905	21-14	1	
506-6862-002	6130	507-3797	61-7	1	
506-6864-002			62-27	1	
506-6865-002			62-24	4	
506-6867-002	5340	550-8961	62-3	1	
506-6869-003	6125	553-2779	62-13	1	
506-6870-003			61-13	1	
506-6874-003	6125	642-2185	62-25	1	
506-6875-003			62-25	1	
506-6877-004	6125	553-7800	61-16	1	
506-6878-004			62-2	1	
506-6879-004			61-21	1	
506-6880-004			62-1	1	
506-6890-002			16-1	1	
506-6893-002			16-9	1	
506-6897-002			16-5	2	
506-6898-002			16-4	1	
506-6899-002			16-8	2	
506-6900-002			16-14	1	
506-6901-002			16-11	1	
506-6903-003			14-13	1	A1
506-6905-003	6625	552-2051	15-16	1	A1
506-6906-003			15-8	1	A1
506-6910-003	5950	646-4016	13-9	2	P1 MO/N
			16-	REF	
506-6914-004			15-28	1	A1
506-6915-004			14-1	1	
506-6916-003			15-17	1	
506-6919-006	5821	566-4218	3-4	1	P1 MO/S
			13-	REF	
			14-	REF	
			15-	REF	
506-6921-002	5821	553-9338	28-12	1	P1 MO/N
506-6922-002	5821	553-2746	26-5	1	
506-6923-002	5821	553-2747	26-22	1	
506-6924-002	5821	553-2857	29-123	1	
506-6925-002	5821	510-4827	29-56	25	
506-6926-002	5950	560-5931	29-60	25	
506-6927-002	5821	572-9715	29-26	2	

PART NUMBER	STOCK NUMBER		FIGURE AND INDEX NO.	QUANTITY PER ARTICLE	SOURCE CODE
	CLASS CODE	SERIAL OR PART NO.			
506-6928-002	5821	332-4671	29-1	3	
506-6929-002	5821	553-2748	39-13	1	
506-6930-002			29-17	1	
506-6932-002			30-4	24	
			31-3		
			32-5		
			33-4		
			34-5		
			35-4		
			36-4		
			38-5		
			40-5		
			41-5		
			42-5		
			43-5		
			44-5		
			45-5		
			46-5		
			47-6		
			48-5		
			49-5		
			50-5		
			51-4		
			52-5		
			53-4		
			54-5		
			55-4		
506-6933-002			37-6	1	
506-6937-002			29-120	4	
506-6938-002			29-117	4	
506-6939-002			29-114	7	
506-6940-002			3-9	4	
506-6942-002			29-67	2	
506-6943-002			29-70	1	
506-6944-002			29-71	2	
506-6946-002	5310	527-4054	29-64	4	
506-6947-002			29-112	4	
506-6950-002	5821	530-5633	29-111	2	
506-6951-002	5821	304-8831	29-126	2	
506-6952-002			29-29	1	
506-6953-002			29-40	1	
506-6954-002			29-17	1	
506-6955-002			29-37	1	
506-6957-002	5821	528-1202	29-8	1	
506-6958-002	5821	528-0625	29-6	2	
506-6959-002	5821	528-1088	29-30	1	
506-6960-002	5821	528-1086	29-9	1	
506-6961-002	5821	560-5937	29-7	1	
506-6962-002	5821	528-0628	29-28	1	
506-6967-002			17-219	8	
			17-256		
			29-23		
			29-35		
506-6968-002	5821	572-9725	26-16	1	
506-6969-002			30-5	25	
			31-4		
			32-6		

PART NUMBER	STOCK NUMBER		FIGURE AND INDEX NO.	QUANTITY PER ARTICLE	SOURCE CODE
	CLASS CODE	SERIAL OR PART NO.			
			33-5		
			34-6		
			35-5		
			36-5		
			37-7		
			38-6		
			40-6		
			41-6		
			42-6		
			43-6		
			44-6		
			45-6		
			46-6		
			47-7		
			48-6		
			49-5		
			50-6		
			51-5		
			52-6		
			53-5		
			54-6		
			55-5		
506-6975-002	5950	332-5237	39-1	1	
506-6977-003			29-135	1	
506-6979-003			29-136	1	
506-6980-003			28-1	1	
506-6981-003			26-1	1	
506-6982-003			26-18	1	
506-6983-003			29-66	1	
506-6984-003			29-14	1	
506-6987-003	5950	646-4069	29-79	1	
			37-	REF	
506-6988-003	5950	646-4070	29-80	1	
			38-	REF	
506-6989-003	5950	648-6681	29-78	1	
			36-	REF	
506-6990-003	5950	648-6895	29-76	1	
			34-	REF	
506-6991-003	5950	648-6897	29-74	1	
			32-	REF	
506-6992-003	5950	512-7970	29-75	1	
			33-	REF	
506-6993-003	5950	512-7971	29-77	1	
			35-	REF	
506-6994-003	5950	512-7972	29-73	1	
			31-	REF	
506-6995-003	5950	512-7973	29-72	1	
			30-	REF	
506-6996-003	5950	512-7974	29-87	1	
			45-	REF	
506-6997-003	5950	512-7975	29-85	1	
			43-	REF	
506-6998-003	5950	512-7976	29-82	1	
			40-	REF	
506-6999-003	5950	646-4077	29-84	1	
			42-	REF	
506-7000-003	5950	512-7978	29-89	1	

PART NUMBER	STOCK NUMBER		FIGURE AND INDEX NO.	QUANTITY PER ARTICLE	SOURCE CODE
	CLASS CODE	SERIAL OR PART NO.			
506-7001-003	5950	512-7979	47- 29-88	REF 1	
506-7002-003	5950	512-7980	46- 29-83	REF 1	
506-7003-003	5950	512-7981	41- 29-86	REF 1	
506-7004-003	5950	512-7982	44- 29-96	REF 1	
506-7005-003	5950	512-7983	54- 29-94	REF 1	
506-7006-003	5950	512-7984	52- 29-90	REF 1	
506-7007-003	5950	512-7985	48- 29-92	REF 1	
506-7008-003	5950	512-7986	50- 29-97	REF 1	
506-7009-003	5950	512-7987	55- 29-95	REF 1	
506-7010-003	5950	512-7988	53- 29-91	REF 1	
506-7011-003	5950	512-7989	49- 29-93	REF 1	
506-7012-003	5950	538-4834	51- 37-9	REF 1	
506-7014-003	5950	538-4568	37-8	1	
506-7015-003			32-7	8	
			34-7		
			36-6		
			38-7		
			45-7		
			47-8		
			54-7		
			55-6		
506-7016-003			43-7	4	
			46-7		
			52-7		
			53-6		
506-7017-003	5950	686-7842	40-7	3	
			41-7		
			48-7		
506-7018-003			49-6	1	
506-7019-003			42-7	3	
			44-7		
			50-7		
506-7020-003			51-6	1	
506-7021-003			33-6	2	
			35-6		
506-7022-003			30-6	2	
			31-5		
506-7023-003	5821	529-0803	29-62	4	
506-7029-004			26-24	1	
506-7030-004			28-33	1	
506-7033-004	5915	560-5943	29-81	1	
			39-	REF	
506-7036-005			24-4	1	
			25-	REF	
			26-	REF	

PART NUMBER	STOCK NUMBER		FIGURE AND INDEX NO.	QUANTITY PER ARTICLE	SOURCE CODE
	CLASS CODE	SERIAL OR PART NO.			
506-7037-005			24-5	1	
			27-	REF	
			28-	REF	
506-7041-006			3-9	1	
			24-	REF	
506-7102-002	5821	304-8829	5-37	1	
506-7104-002			5-73	3	
506-7108-002	5821	528-0627	5-31	1	
506-7112-002			5-65	2	
506-7113-002	5305	576-2656	4-1	3	
506-7114-002			5-56	1	
506-7115-002			5-55	1	
506-7116-002	5821	302-3482	5-67	1	
506-7118-002			5-61	1	
506-7119-002	5821	302-7796	5-69	1	
506-7120-002			5-49	1	
506-7122-003			5-74	1	
506-7123-003			5-72	1	
506-7124-003			5-59	1	
506-7125-004			5-64	1	
506-7127-005			4-1	1	
			5-	REF	
506-7128-005			5-16	1	
506-7129-002			5-19	1	
506-7340-002			3-5	4	
506-7341-002	5821	503-7749	17-132	1	
506-7342-002			17-128	1	
506-7343-002	5821	315-0271	17-116	1	
506-7344-002	5821	528-0608	17-247	1	
506-7348-002			17-90	1	
506-7349-002			17-78	2	
506-7353-002			17-214	1	
506-7354-002	5950	333-3050	17-127	1	
506-7360-002			17-162	2	
506-7361-002			17-163	4	
506-7366-002	5821	528-0623	17-212	1	
506-7367-002	5310	285-7058	17-211	2	
506-7368-002	5821	302-3484	17-213	1	
506-7371-002	5950	333-3049	17-125	1	
506-7376-002	5821	572-9724	17-249	1	
506-7377-002			17-112	1	
506-7378-002			17-182	1	
506-7382-002	5821	503-7756	17-148	1	
506-7383-002	5821	332-4701	17-133	2	
506-7387-002	5821	504-5665	17-159	1	
506-7391-002	5821	302-7783	17-171	1	
506-7392-002	5950	547-9674	18-6	3	
506-7393-002	5950	547-9675	17-19	3	
506-7398-002	5821	302-3479	17-168	1	
506-7402-002	5310	559-0895	17-170	1	
506-7403-002			17-101	2	
506-7404-002	5821	578-4099	17-20	1	
506-7405-002	5821	602-0447	17-25	2	
			17-31		
506-7406-002	5950	518-0774	17-98	1	
506-7408-002	5950	560-5952	17-70	1	
506-7415-002			17-156	1	



Section III  
Numerical Index

T.O. 12R2-4-6-4

PART NUMBER	STOCK NUMBER		FIGURE AND INDEX NO.	QUANTITY PER ARTICLE	SOURCE CODE
	CLASS CODE	SERIAL OR PART NO.			
506-7416-002			17-6	1	
506-7420-002	5305	558-3567	3-5	1	
506-7425-003			17-189	1	
506-7429-003	5950	645-9982	17-121.2	1	
506-7431-003			17-195	1	
506-7432-003			17-257	1	
506-7434-003			17-236	1	
506-7435-003			18-40	1	
506-7438-003			17-222	1	
506-7440-004			17-80	1	
506-7442-004			17-37	2	
506-7443-004	5950	560-5954	17-121	1	
506-7445-004			17-234	1	
506-7446-004			17-259	1	
506-7447-005			17-226	1	
506-7450-006			3-5	1	
506-7452-005			17-175	1	
			18-	REF	
506-7456-003	5821	320-7010	57-27	1	
506-7486-002			17-114	1	
506-7511-002			58-4	2	M1
506-7512-002	5821	705-9827	59-17	1	M1
506-7513-002			59-16	2	M1
506-7514-002	5821	697-9927	58-4	2	P1 MO/N
506-7516-003	5821	697-9922	58-5	1	P1 MO/N
506-7517-003	5915	709-0065	59-1	1	M1
506-7518-003			59-19	1	
506-7519-003	5915	721-4865	59-12	1	M1
506-7747-005			58-7	1	
506-7748-005			58-6	1	
			59-	REF	
506-7760-002	5821	339-9634	60-6	2	M1
506-7762-002	5355	667-9832	60-11	1	P1 MO/N
506-7763-002	5355	667-9833	60-1	1	P1 MO/N
506-7779-002	5340	546-3457	60-69	1	P1 MO/N
506-8095-003			8-12	1	
506-8307-002	5821	554-0376	5-60	1	
506-8357-002			56-10	1	
506-8803-003	5355	518-3251	60-12	1	P1 MO/N
506-9069-004	5821	575-4371	29-98	1	
506-9074-002			39-15	2	
506-9075-002			39-16	2	
506-9077-002			30-5	50	
			31-4		
			32-6		
			33-5		
			34-6		
			35-5		
			36-5		
			37-7		
			38-6		
			39-14		
			40-6		
			41-6		
			42-6		
			43-6		
			44-6		

PART NUMBER	STOCK NUMBER		FIGURE AND INDEX NO.	QUANTITY PER ARTICLE	SOURCE CODE
	CLASS CODE	SERIAL OR PART NO.			
506-9078-002			45-6		
			46-6		
			47-7		
			48-6		
			49-5		
			50-6		
			51-5		
			52-6		
			53-5		
			54-6		
			55-5		
			30-5	49	
			31-4		
			32-6		
			33-5		
			34-6		
			35-5		
			36-5		
			37-7		
			38-6		
			40-6		
			41-6		
			42-6		
			43-6		
			44-6		
		45-6			
		46-6			
		47-7			
		48-6			
		49-5			
		50-6			
		51-5			
		52-6			
		53-5			
		54-6			
		55-5			
506-9444-002	5960	560-5956	18-38	10	
			21-13		
506-9927-002	5355	518-0108	60-9	1	P1 MO/N
506-9934-002			60-7	1	A
5065	5977	518-8992	63-17	2	
507-6327-00			4-18	1	
507-6744-00	5975	258-2470	61-18	1	
507-6860-00	5340	392-5593	10-16.1	1	P1 MO/N
5100-25-S	5340	205-4318	5-34	5	P1 MO/N
			5-38		
			6-17		
			10-89		
			10-102		
5100-28-C			17-151	1	
5103-25-S	5340	545-4736	60-72	2	P1 MO/N
5133-12-S	5340	205-6519	5-13	12	P1 MO/N
			10-78		
			17-169		
			29-113		
			60-63		
			60-68		

PART NUMBER	STOCK NUMBER		FIGURE AND INDEX NO.	QUANTITY PER ARTICLE	SOURCE CODE
	CLASS CODE	SERIAL OR PART NO.			
5133-18-S	5340	514-2821	10-114 17-121.1 29-11 29-127	17	P1 MO/N
5133-25-S	5340	598-1388	10-115 29-38	5	P1 MO/N
5133-9-S 522-0052-004	5340	598-7530	17-210 1-5	2 1	P1 MO/R
522-0053-006	6125	635-8800	64- 1-4 61- 62-	REF 1 REF REF	P1 MO/R
522-0059-005			1-2 58-	1 REF	
522-0060-006	5821	646-5103	1-1 2- 3- 4-	1 REF REF REF	P1 MO/R
522-0092-004 522-0147-005	5821	505-3421	1-6 1-3 60-	1 1 REF	P1 MO/R P1 MO/R
522-0184-005 526-9039-00 53453-MF	5821 5915 5930	509-8692 552-9598 548-5621	58- 15-4 10-165	REF 1 6	P1 MO/N P1 MO/N
540-1683-003 540-1886-002 540-2579-003 540-2740-002 540-2744-002 540-2746-003 540-2750-003 540-4021-002 540-4022-002	5821 5821	327-4231 575-4379	62-19 29-21 60-21 60-93 60-84 60-104 60-3 60-45 60-75 60-100 60-76 60-101	1 1 1 1 1 1 1 4 2 2	P1 MO/N P1 MO/N P1 MO/N
540-4023-002			60-70 60-77 60-61 60-73	1 1 2	P1 MO/N
540-4024-002 540-4026-002 540-4027-002	5821	574-0267	60-62 60-102 60-103	1 4 1	M1 X1
540-4029-002 540-4030-002 540-4031-002 540-4034-002 540-4035-002 540-4036-002 540-4037-002 540-4038-002 540-4040-002 540-4041-002 540-4043-002 540-4044-002 540-4045-002 540-4046-002 540-4049-003 540-4052-002 540-4053-004	5821 5355 5821	332-7213 668-5567 528-0629	60-19 60-81 60-78 60-64 60-48 60-40 60-74 60-67 60-27 60-71 60-17 60-95 60-59 60-39	1 2 2 2 4 1 1 2 1 1 1 1 1 1 1 1 1	P1 MO/N M1 P1 MO/N M1 M1 M1 P1 MO/N M1 P1 MO/N P1 MO/N M1 P1 MO/N P1 MO/N P1 MO/N X1 P1 MO/N

PART NUMBER	STOCK NUMBER		FIGURE AND INDEX NO.	QUANTITY PER ARTICLE	SOURCE CODE
	CLASS CODE	SERIAL OR PART NO.			
540-4079-004	5915	688-2683	59-19	1	M1
540-5116-002			29-52	5	
			29-109		
540-5219-005			58-6	1	
			59-	REF	
540-5220-005	5821	705-9848	58-7	1	
540-5331-002	5305	559-1003	56-1	2	
540-5364-002			29-52.1	4	
540-5367-002	5821	705-9849	17-72	1	
540-5369-002			65-11	1	
540-5414-002			29-10	2	
540-5777-002	5330	576-0772	17-126	1	
540-5845-002			10-16	1	
540-5849-005			65-13	1	
540-5852-002			62-35	1	
540-5855-002			65-12	1	
540-6646-002			29-49	2	
540-6647-002	5821	705-9850	29-46	2	
540-6648-002			29-44	4	
540-6649-003	5821	676-1174	65-	REF	
540-6973-005			22-4	1	
540-7420-002	5821	560-5977	5-5	3	
			6-5		
			17-15		
540-7421-003	5821	510-4843	29-5	3	
540-7426-002			5-68	1	
540-7427-002	5310	559-9148	17-152	1	
540-7428-002	5821	575-4381	17-154	1	
540-7429-003	6125	511-7868	17-150	1	
540-7430-002			17-161	3	
540-9225-003			17-29	1	
540-9933-005			4-34	1	
540-9956-002			17-11	1	
540-9965-002	5821	505-1336	4-2	1	
			6-	REF	
540-9966-002	5826	544-4173	4-1	1	
			5-	REF	
540-9967-002	5821	547-5718	3-9	1	
			24-	REF	
540-9968-002	5821	505-3504	3-5	1	
			17-	REF	
540-9969-005			6-	1	
540-9970-005			5-	1	
540-9973-003			56-12	1	
540-9982-002			57-21	3	
540-9983-002			57-22	2	
540-9984-003			65-6	1	
541-1110-002			65-9	1	
541-1111-002			65-10	1	
541-1113-002			65-8	1	
541-1115-002			65-7	2	
541-1116-002			65-8	1	
541-1117-002			65-8	1	
541-1118-002			65-20	1	
541-1119-002			65-18	1	
541-1120-002			(Superseded by 540-5369-002)		
541-1126-002			65-14	1	

PART NUMBER	STOCK NUMBER		FIGURE AND INDEX NO.	QUANTITY PER ARTICLE	SOURCE CODE
	CLASS CODE	SERIAL OR PART NO.			
541-1131-003			65-22	1	
541-1486-002	5340	711-7638	60-66	2	
541-4890-002	5310	576-2010	5-43	1	
541-6017-002			17-69.2	1	
541-6091-002			17-36	1	
541-6532-003	5820	560-7340	10-10.1	14	
			12-3.1		
			19-7.1		
			23-3.1		
			25-2.1		
			27-5.1		
541-6533-003	5821	560-7339	11-28.1	8	
			19-3.1		
			19-4.1		
			22-3.1		
			25-5.1		
541-6550-003	5960	564-4792	10-9	4	
			19-6		
			27-1		
541-6551-003	5960	564-4772	23-2	9	
			25-4		
			27-2		
541-6552-003	5960	295-7652	12-2	1	
541-6554-003	5960	564-4755	11-26	8	
			19-2		
			22-1		
			25-1		
542-3279-002			10-216	1	
542-4139-002	5330	580-5694	4-33	2	
542-5471-002	5821	688-3503	17-158	1	
542-5645-003			(NHA 542-5646-003)		
542-5647-004			62-2	1	
543-3478-003			10-214	1	
544-2591-002			29-59.1	1	
545-4082-002			64-7	1	
545-4084-002			60-25	1	
545-4086-002			61-12	1	
545-4087-002			2-8	1	
55909-H	5930	549-0261	10-179	1	P1 MO/N
55910-H	5930	296-7098	10-29	1	P1 MO/N
55976-MF	5930	549-0257	10-163	6	P1 MO/N
55977-MF	5930	202-0826	10-153	1	
55978-MF	5930	549-0255	10-26	1	
5635			63-6	2	
5654	5960	230-5235	10-10	3	P1 MO/N
			27-3		
5686	5960	509-3049	11-27	4	P1 MO/N
			22-3		
			25-2		
57090-F1	5930	090-1226	7-11	1	
5726	5960	553-6065	13-5	3	P1 MO/N
			19-7		
57419-F	5930	549-0262	5-52	1	
57420-FX	5930	296-7114	29-18	6	
			29-41		
57421-F	5930	549-0263	29-32	1	
57422-F	5930	549-0268	17-216	1	

PART NUMBER	STOCK NUMBER		FIGURE AND INDEX NO.	QUANTITY PER ARTICLE	SOURCE CODE
	CLASS CODE	SERIAL OR PART NO.			
57424-FC			17-253	1	
57425-MF			17-208	1	
5749			13-4	8	
			23-3		
			25-5		
			27-5		
5750			27-4	4	
5751			11-28	2	P1 MO/N
			19-3		
5814A			19-4	2	P1 MO/N
			22-2		
597-0290-010			1-1	1	P1
			2-		
			3-		
			4-		
6RS 20GH10 BB1			62-3	1	
6RS5TH47			62-26	2	
61448-F2			60-86	1	P1 MO/N
6159			17-1	5	P1 MO/N
			21-1		
6301-1			8-17	1	
655F-1			65-5	1	
67-52-1			8-6	1	
672-0463-00			62-43	1	
672-1103-00			62-43	1	
674-0576-00			62-31	1	
674-0635-00			11-30	1	
677-0527-00			22-6	1	
677-0537-00			56-11	1	
677-0923-00			56-11	1	
678-0528-00			61-18	2	
678-0536-00			21-3	2	
68NC2-62			60-99	2	
6885-000 000			58-3	4	P1 MO/N
			64-8		
705-2107-00			17-242	2	P1 MO/N
705-2131-00			39-5	2	P1 MO/N
705-2163-00			17-241	2	P1 MO/N
705-2165-00			39-7	2	P1 MO/N
745-1001-00			11-18	1	
745-1065-00			15-22	2	
			19-20		
745-1092-00			11-13	1	
745-1135-00			15-12	4	
			15-13		
745-1142-00			15-11	1	
745-1160-00			10-40	1	
745-1163-00			11-7	2	
			14-11		
745-1170-00			28-15.1	1	
745-1188-00			19-16	1	
745-1191-00			14-10	2	
			27-10		
745-1195-00			19-16	1	
745-1198-00			27-10	1	
745-1212-00			10-43	1	
745-1268-00			18-21	1	P1 MO/N
745-1271-00			11-20	AR	
745-1273-00			11-20	AR	
745-1274-00			11-20	AR	
745-1275-00			11-18	1	P1 MO/N

PART NUMBER	STOCK NUMBER		FIGURE AND INDEX NO.	QUANTITY PER ARTICLE	SOURCE CODE
	CLASS CODE	SERIAL OR PART NO.			
745-1277-00	5905	279-3522	11-20	AR	
745-1278-00	5905	279-1753	11-20	AR	
745-1280-00	5905	279-3520	11-20	AR	
745-1281-00	5905	279-3519	11-20	AR	
745-1282-00	5905	252-2995	10-15.2	1	P1 MO/N
745-1284-00	5905	279-1750	11-20	AR	
745-1285-00	5905	299-1879	11-20	AR	
745-1287-00	5905	279-3518	11-20	AR	
745-1288-00	5905	192-4490	11-20	AR	
745-1291-00	5905	279-1885	11-20	AR	
745-1292-00	5905	195-5546	11-20	AR	
745-1295-00	5905	252-4018	7-6	1	P1 MO/N
745-1296-00	5905	171-2002	17-243	1	P1 MO/N
745-1307-00			19-10	1	P1 MO/N
745-1310-00	5905	186-3008	28-20	1	P1 MO/N
745-1317-00	5905	279-1756	15-22	AR	P1 MO/N
			20-11	1	
745-1321-00	5905	279-3514	15-22	AR	P1 MO/N
745-1324-00	5905	256-0409	15-22	AR	P1 MO/N
			26-10	2	
			28-6		
745-1328-00	5905	185-6966	15-22	AR	P1 MO/N
745-1329-00	5905	299-1965	60-38	2	P1 MO/N
745-1331-00	5905	171-1997	15-22	AR	P1 MO/N
			15-25	5	
			26-7		
			28-11		
745-1335-00	5905	279-1890	15-22	AR	P1 MO/N
745-1338-00	5905	171-2005	15-22	AR	P1 MO/N
745-1342-00	5905	195-6799	15-22	AR	P1 MO/N
			39-3	1	
745-1345-00	5905	256-0387	15-22	AR	P1 MO/N
			28-16	1	
745-1349-00	5905	257-2631	15-22	AR	P1 MO/N
745-1352-00	5905	195-6817	10-50.2	4	P1 MO/N
			20-2		
			28-5		
745-1356-00	5905	195-6809	11-9	2	
			17-244	AR	
			28-28		
745-1358-00	5905	279-1757	11-13	1	P1 MO/N
745-1359-00	5905	195-5514	17-244	AR	P1 MO/N
			22-17	1	
745-1363-00	5905	279-2672	17-244	AR	
745-1365-00	5905	279-1876	7-4	1	P1 MO/N
745-1366-00	5905	171-2009	12-6	3	P1 MO/N
			17-244	AR	
			28-5		
745-1370-00	5905	537-6437	17-85	1	P1 MO/N
			17-244	AR	
			28-23	AR	
745-1372-00	5905	279-3506	7-5	1	P1 MO/N
745-1373-00	5905	195-6502	17-244	AR	P1 MO/N
			22-13	1	
			28-23	AR	
745-1377-00	5905	185-6575	10-50.3	1	P1 MO/N
			17-244	AR	

PART NUMBER	STOCK NUMBER		FIGURE AND INDEX NO.	QUANTITY PER ARTICLE	SOURCE CODE
	CLASS CODE	SERIAL OR PART NO.			
745-1380-00	5905	195-6451	28-23 10-49 17-89 28-7	AR 3	P1 MO/N
745-1384-00	5905	192-4408	28-23 17-244 28-23	AR AR AR	P1 MO/N
745-1387-00	5905	245-0023	28-23	AR	P1 MO/N
745-1391-00	5905	171-1985	17-244 28-23	AR AR	P1 MO/N
745-1394-00	5905	185-8518	9-5 28-23	1 AR	P1 MO/N
745-1398-00	5905	190-8884	26-4	1	P1 MO/N
745-1401-00	5905	190-8876	10-40 14-18 15-13 26-2	5	P1 MO/N
745-1405-00	5905	279-3500	26-15	1	P1 MO/N
745-1408-00	5905	279-2029	12-7 15-9 15-20 28-30	6	P1 MO/N
745-1411-00	5905	279-3499	7-8	1	
745-1412-00	5905	195-6758	15-11 26-9 28-25	3	P1 MO/N
745-1415-00	5905	249-4248	10-50 11-7 17-83 20-1	11	P1 MO/N
745-1419-00	5905	190-8882	19-18 28-24	5	
745-1422-00	5905	295-3410	12-11 15-14 22-16 28-3	8	P1 MO/N
745-1426-00	5905	192-3988	10-40 20-12 28-14	11	
745-1431-00	5905	279-3495	11-14	1	P1 MO/N
745-1432-00	5905	279-3494	14-11 28-15.1	2	
745-1433-00	5905	254-7097	20-10 28-4	2	P1 MO/N
745-1436-00	5905	192-3987	10-43 14-8 14-16 15-24 17-239 22-12 23-8 23-34 26-8 28-10 28-15 28-15.1	18	P1 MO/N



PART NUMBER	STOCK NUMBER		FIGURE AND INDEX NO.	QUANTITY PER ARTICLE	SOURCE CODE
	CLASS CODE	SERIAL OR PART NO.			
745-1440-00	5905	195-6500	39-8 14-2 28-27	3	P1 MO/N
745-1447-00	5905	192-0662	14-6	1	P1 MO/N
745-1450-00	5905	295-3409	11-8 14-7 17-240 20-14 22-11	8	P1 MO/N
745-1453-00	5905	190-8865	7-9	1	P1 MO/N
745-1454-00	5905	190-8865	14-4 19-15	3	P1 MO/N
745-1456-00	5905	279-2519	14-10	1	
745-1461-00	5905	279-2517	19-16	1	
745-1464-00	5905	185-6946	11-11 14-17 21-10 22-7 23-6 27-10	7	P1 MO/N
745-1468-00	5905	279-2514	11-10	2	P1 MO/N
745-1475-00	5905	221-5848	56-2	1	P1 MO/N
745-1478-00	5905	192-3982	10-43 11-3	2	P1 MO/N
745-3128-00	5905	279-1719	15-10	1	
745-3135-00			62-9	1	
745-3142-00			62-10	1	
745-3289-00	5905	279-1734	62-8	1	P1 MO/N
745-3310-00	5905	279-2643	26-19	1	P1 MO/N
745-3324-00	5905	299-2053	11-12	1	P1 MO/N
745-3330-00	5905	279-2645	19-20	1	P1 MO/N
745-3331-00	5905	279-2645	19-20	1	
745-3338-00	5905	617-7226	11-17 26-21	2	P1 MO/N
745-3370-00	5905	279-3837	62-9	1	
745-3373-00	5905	299-2059	62-9	1	
745-3377-00	5905	279-1721	62-7	1	P1 MO/N
745-3384-00	5905	537-6462	62-9	1	P1 MO/N
745-3387-00	5905	299-2036	15-10	1	P1 MO/N
745-3391-00	5905	279-1718	15-12	2	P1 MO/N
745-3394-00	5905	279-1719	17-88 26-20	3	P1 MO/N
745-3403-00	5905	299-2026	62-10	1	
745-3405-00	5905	299-2023	62-10	1	P1 MO/N
745-3408-00	5905	299-2019	28-2	1	P1 MO/N
745-3412-00	5905	258-6557	26-4.1	1	
745-3422-00	5905	114-2714	23-23	1	P1 MO/N
745-3426-00	5905	299-2012	28-8	1	P1 MO/N
745-3429-00	5905	299-2012	28-9	1	P1 MO/N
745-3436-00	5905	539-1776	23-12	1	P1 MO/N
745-3450-00	5905	279-1714	23-30	1	P1 MO/N
745-5572-00	5905	251-7750	20-3	1	
745-5635-00	5905	253-1231	28-31	1	P1 MO/N
745-5649-00	5905	279-2286	22-18	1	
745-5663-00	5905	195-5524	57-14	1	P1 MO/N
745-5705-00	5905	249-4227	57-14	1	
745-5715-00	5905	192-3979	19-14	1	
745-9178-00	5905	254-7096	62-22	1	

PART NUMBER	STOCK NUMBER		FIGURE AND INDEX NO.	QUANTITY PER ARTICLE	SOURCE CODE
	CLASS CODE	SERIAL OR PART NO.			
747-0059-00	5905	100-4002	62-33	1	P1 MO/N
747-0071-00	5905	502-8073	18-13	1	P1 MO/N
747-0072-00	5905	502-4492	10-190	1	
747-0073-00	5905	665-6854	10-190	1	P1 MO/N
747-0108-00	5905	283-1747	57-7	1	P1 MO/N
747-1101-00	5905	299-7966	57-8	1	P1 MO/N
747-9150-00	5905	552-4240	12-12	1	
747-9397-00	5905	173-6576	62-4	2	P1 MO/N
747-9399-00	5905	173-6577	18-26	1	P1 MO/N
747-9431-00	5905	173-9880	57-13	1	P1 MO/N
747-9433-00	5905	173-9876	18-23	1	P1 MO/N
747-9862-00	5905	583-7610	56-5	1	
747-9863-00	5905	583-7615	56-6	2	
747-9864-00	5905	615-1257	56-4	1	
77R3XR1224E			8-31	1	
77R4XR1224E			8-33	1	
77034XR1225E	3110	144-8832	8-23	1	
77037XR1225E	3110	293-8645	8-22	1	
780-10G			64-1	4	P1 MO/N
8037X1E			63-11	2	
81-1	5310	579-4189	8-21	AR	
81-4	5310	579-4159	8-21	AR	
81-7	5310	579-4188	8-21	AR	
81P22401S2			62-12B	1	
811	5325	551-8061	10-82	2	P1 MO/N
			10-143		
822-124			10-33	1	
83-10			8-20	1	
86P10303S15	5910	667-7846	25-8	8	P1 MO/N
			27-7		
86P10304T15			62-34	3	
86P10401S1	5910	669-3882	57-6	2	P1 MO/N
			57-6.1		
86P10401S15	5910	242-0487	13-8	3	P1 MO/N
			15-6		
86P10402S15			25-10	1	P1 MO/N
86P10403S15	5910	649-1887	13-7	16	P1 MO/N
			15-1		
			20-4		
			25-9		
			27-8		
86P22302S15	5910	649-2016	11-24	2	P1 MO/N
			12-9		
86P33403S15	5910	649-2018	11-23	1	P1 MO/N
86P47301S15	5910	649-1600	15-7	1	P1 MO/N
86P47402S15	5910	649-0841	13-10	1	P1 MO/N
86P68303S1			62-6	1	P1 MO/N
88-8TM	5935	539-5758	18-34	9	P1 MO/N
			21-13		
			23-21		
			62-21		
8942	5330	599-6869	5-54	28	
			17-218		
			17-255		
			29-18		
			29-34		
			29-43		

PART NUMBER	STOCK NUMBER		FIGURE AND INDEX NO.	QUANTITY PER ARTICLE	SOURCE CODE
	CLASS CODE	SERIAL OR PART NO.			
9006	5935	536-1784	65-19	10	
901	5325	254-3462	16-12.1	2	
9094			59-6	2	
912-0431-00			44-2	5	
			51-2		
912-0432-00	5910	666-7170	15-26	1	
912-0438-00	5910	648-7755	14-15	3	P1 MO/N
			15-26		
912-0449-00	5910	669-1795	40-2	1	P1 MO/N
912-0452-00	5910	519-8867	47-4	1	P1 MO/N
912-0460-00	5910	666-7869	45-3	1	P1 MO/N
912-0463-00	5910	667-5759	15-2	2	P1 MO/N
			21-8		
912-0469-00	5910	666-7886	15-2	1	
912-0472-00	5910	614-4235	42-2	1	P1 MO/N
912-0473-00			39-6	1	P1 MO/N
912-0475-00	5910	544-6562	44-3	2	P1 MO/N
			50-3		
912-0476-00	5910	648-7896	23-12.1	1	P1 MO/N
912-0479-00	5910	556-0039	33-2	1	
912-0484-00	5910	667-5565	35-2	1	P1 MO/N
912-0490-00	5910	648-7889	15-3	1	P1 MO/N
912-0493-00	5910	184-3048	17-178	3	P1 MO/N
			18-1		
			21-4		
912-0495-00	5910	253-5255	23-19	1	P1 MO/N
912-0505-00	5910	669-2151	41-2	1	
912-0511-00	5910	553-5840	37-2	4	P1 MO/N
			45-2		
			48-2		
			55-2		
912-0512-00	5910	270-3187	47-2	1	P1 MO/N
912-0517-00	5910	727-3992	11-6	3	P1 MO/N
			36-2		
			38-2		
912-0519-00			14-5	2	P1 MO/N
			14-19		
912-0520-00	5910	642-6777	32-2	2	P1 MO/N
			34-2		
912-0521-00			23-29	1	
912-0526-00	5910	727-3993	54-2	1	P1 MO/N
912-0529-00	5910	644-6186	50-2	1	P1 MO/N
912-0530-00	5910	648-9491	23-29	1	P1 MO/N
912-0532-00	5910	264-9450	23-14	1	
912-0536-00	5910	648-7894	23-32	1	P1 MO/N
912-0538-00	5910	242-6073	21-7	3	P1 MO/N
			23-14		
912-0541-00	5910	648-8223	16-12	1	
912-0543-00	5910	648-7900	23-18	1	P1 MO/N
912-0544-00	5910	280-9571	14-9	7	P1 MO/N
			16-13		
			21-9		
			24-2		
			52-2		
912-0545-00	5910	270-5382	47-3	1	P1 MO/N
912-0727-00			17-59	1	
912-0730-00	5910	668-0355	17-62	2	

PART NUMBER	STOCK NUMBER		FIGURE AND INDEX NO.	QUANTITY PER ARTICLE	SOURCE CODE
	CLASS CODE	SERIAL OR PART NO.			
912-0733-00	5910	538-3979	17-65		
912-0735-00	5910	669-2062	17-59	1	P1 MO/N
912-0743-00	5910	544-6524	17-60	1	P1 MO/N
912-0744-00			17-66	1	
912-0748-00			17-62	1	
912-0752-00			17-66	1	
912-1135-00	5910	668-0557	17-65	1	P1 MO/N
912-2302-00	5910	702-6427	17-61	1	P1 MO/N
912-2993-00			17-65	1	
913-0057-00	5910	669-1920	15-18	2	
913-0101-00	5910	539-7689	23-15	1	P1 MO/N
			17-54	3	P1 MO/N
			59-7		
913-0146-00			20-7	2	
913-0823-00	5910	666-8115	17-33	1	
913-0832-00	5910	667-6161	17-33	1	
913-0833-00	5910	667-8784	17-47	7	P1 MO/N
			17-49		
913-0834-00	5910	544-7003	17-48	1	
913-0835-00			17-47	7	
			17-49		
913-0996-00	5910	669-3364	11-25	9	P1 MO/N
			15-23		
			39-4		
913-1186-00	5910	666-7156	20-7	2	P1 MO/N
913-1188-00	5910	256-4261	10-50.1	6	P1 MO/N
			12-10		
			15-15		
			26-12		
913-1476-00	5910	667-8866	23-24	86	P1 MO/N
			59-4		
913-2142-00	5910	556-1425	18-22	3	
913-2749-00	5910	553-3725	20-7	3	
			20-15		
913-2750-00	5910	702-6489	4-10	29	
			10-41		
			11-25		
			15-23		
			17-46		
			17-73		
			18-24		
			19-13		
			23-26		
			26-6		
			28-17		
913-2751-00	5910	578-5507	18-8	3	
916-0067-00	5910	100-5758	10-178	2	P1 MO/N
916-0070-00	5910	583-1590	10-168	2	P1 MO/N
			39-12		
916-0072-00	5910	191-3783	39-12	1	P1 MO/N
916-0075-00	5910	543-0823	17-252	1	P1 MO/N
916-0117-00	5910	556-9427	10-32	3	P1 MO/N
			17-251		
			39-11		
916-0118-00	5910	187-2011	17-91	1	P1 MO/N
916-0141-00	5910	197-1485	17-250	1	P1 MO/N
916-1298-00	5910	252-4101	30-2	1	P1 MO/N

PART NUMBER	STOCK NUMBER		FIGURE AND INDEX NO.	QUANTITY PER ARTICLE	SOURCE CODE
	CLASS CODE	SERIAL OR PART NO.			
916-4059-00	5910	195-7572	10-42	1	P1 MO/N
916-4188-00	5910	160-8106	26-23	1	P1 MO/N
916-4347-00	5910	666-8937	23-13	1	P1 MO/N
916-4355-00	5910	617-9377	23-13	1	
916-4363-00	5910	668-1612	23-17	1	P1 MO/N
916-4918-00	5910	688-7129	23-15	1	
917-1013-00			10-33	1	
917-1029-00	5910	263-0869	10-33	1	P1 MO/N
917-1072-00	5910	666-7975	18-2	1	
917-1073-00	5910	648-9596	23-4	7	
			30-3		
			31-2		
			37-5		
917-1074-00	5910	649-5141	48-4	13	
			33-3		
			35-3		
			40-4		
			41-4		
			42-4		
			43-4		
			44-4		
			46-4		
			49-3		
			50-4		
			51-3		
			52-4		
917-1075-00	5910	666-7974	53-3	13	
			24-1		
			32-4		
			34-4		
			36-3		
			38-4		
			45-4		
			47-5		
			54-4		
			55-3		
92NE-040			65-9	1	
928-0070-00	5910	648-9048	24-3	2	P1 MO/N
928-0114-00	5910	228-5944	34-3	3	P1 MO/N
			38-3		
			42-3		
928-0119-00	5910	184-2334	28-19	3	P1 MO/N
			28-21		
928-0138-00	5910	553-3731	37-4	2	P1 MO/N
			40-3		
928-0141-00			26-13	3	P1 MO/N
			32-3		
			43-3		
928-0381-00	5910	553-3728	48-3	1	P1 MO/N
928-0393-00	5910	668-0182	39-11	1	P1 MO/N
928-0413-00			41-3	2	P1 MO/N
			49-2		
928-0420-00	5910	553-3726	37-3	1	P1 MO/N
928-4059-00	5910	668-3527	17-178	1	
928-4922-00	5910	649-1312	28-18	4	P1 MO/N
928-4965-00	5910	112-7952	53-2	1	P1 MO/N
928-7256-00	5910	688-7128	43-2	2	P1 MO/N

PART NUMBER	STOCK NUMBER		FIGURE AND INDEX NO.	QUANTITY PER ARTICLE	SOURCE CODE
	CLASS CODE	SERIAL OR PART NO.			
928-7266-00	5910	556-0309	46-3 52-3	1	P1 MO/N
930-0524-00	5910	649-1438	62-20	1	P1 MO/N
931-0034-00	5910	668-0506	22-14	1	P1 MO/N
931-0401-00	5910	649-0261	22-15	1	P1 MO/N
931-0402-00	5910	649-1038	27-9	1	P1 MO/N
931-0404-00	5910	649-1401	18-25 21-6 27-9	3	P1 MO/N
931-0405-00	5910	649-2194	19-12	1	P1 MO/N
931-0406-00	5910	262-8439	19-12	1	
931-0410-00	5910	669-4211	10-15 10-15.1	2	P1 MO/N
931-0417-00	5910	644-0672	23-5	2	P1 MO/N
931-0429-00	5910	669-4211	5-44	1	P1 MO/N
931-0436-00	5910	254-5953	22-20 26-17	3	P1 MO/N
931-0442-00	5910	280-6978	21-16 22-19	2	P1 MO/N
931-0496-00	5910	669-3882	57-6 57-6.1	2	P1 MO/N
931-0533-00			62-6	1	P1 MO/N
931-0586-00	5910	649-1600	15-7	1	P1 MO/N
931-0588-00	5910	242-0487	13-8 15-6	3	P1 MO/N
931-0607-00			25-10	1	P1 MO/N
931-0611-00	5910	649-0841	13-10	1	P1 MO/N
931-0620-00	5910	667-7846	25-8 27-7	8	P1 MO/N
931-0626-00	5910	649-1887	13-7 15-1 20-4 25-9 27-8	16	P1 MO/N
931-0629-00	5910	649-2018	11-23	1	P1 MO/N
931-0630-00	5910	649-2016	11-24 12-9	2	P1 MO/N
931-0753-00	5910	669-2089	11-15	1	P1 MO/N
931-0885-00			62-12B	1	
931-1847-00			62-34	3	
931-2391-00	5910	649-1885	11-16	1	P1 MO/N
931-2497-00	5910	266-0128	17-86 17-238	4	P1 MO/N
931-2500-00	5910	649-0843	14-3	2	
931-2501-00	5910	669-2995	14-12	2	
931-2516-00	5910	649-2187	19-19	3	P1 MO/N
931-2520-00	5910	667-4939	9-1	1	
931-2537-00	5910	644-0672	20-8 23-5 23-33	5	P1 MO/N
931-2555-00	5910	519-9085	11-5	2	
931-2556-00	5910	669-2976	11-4	2	
931-2560-00	5910	668-5281	19-17	2	P1 MO/N
931-2733-00	5910	649-1075	62-23	1	P1 MO/N
935-0118-00			57-12	1	P1 MO/N
935-0222-00	5910	101-4883	22-8	1	P1 MO/N
935-2103-00	5910	101-3847	63-4	1	

PART NUMBER	STOCK NUMBER		FIGURE AND INDEX NO.	QUANTITY PER ARTICLE	SOURCE CODE
	CLASS CODE	SERIAL OR PART NO.			
935-2117-00	5910	588-9789	63-5	1	P1 MO/N
935-5016-00	5910	648-8553	15-18	5	
			23-35		
			46-2		
			54-3		
936-0249-00	5910	101-4531	17-94	1	P1 MO/N
936-1103-00	5910	668-0391	56-1	1	P1 MO/N
936-1104-00	5910	101-4726	17-117	1	P1 MO/N
96P10301S4	5910	266-0128	17-86	4	P1 MO/N
			17-238		
96P10302S2	5910	644-0672	23-5	2	P1 MO/N
96P10302S4	5910	644-0672	20-8	5	P1 MO/N
			23-5		
			23-33		
96P10303S2	5910	254-5953	22-20	3	P1 MO/N
			26-17		
96P10303S4	5910	669-2976	11-4	2	P1 MO/N
96P10401S2	5910	649-1401	18-25	3	
			21-6		
			27-9		
96P10403S2	5910	280-6978	21-16	2	P1 MO/N
			22-19		
96P10403S4	5910	649-2187	19-19	3	P1 MO/N
96P10501S2	5910	669-4211	10-15	2	P1 MO/N
			10-15.1		
96P10502S2	5910	669-4211	5-44	1	P1 MO/N
96P15401S2	5910	649-2194	19-12	1	P1 MO/N
96P22401S2	5910	262-8439	19-12	1	
96P33301S2			22-15	1	
96P33301S4	5910	649-0843	14-3	2	
96P47301S2	5910	649-1038	27-9	1	P1 MO/N
96P47301S4	5910	669-2995	14-12	2	
96P47303S4	5910	668-5281	19-17	2	P1 MO/N
96P47403S4	5910	667-4939	9-1	1	
96P47453S2	5910	669-2089	11-15	1	P1 MO/N
96P68203S4	5910	519-9085	11-5	2	
961-4313-00	5910	538-7735	57-9	2	
97	5325	202-1503	17-174	1	
974-0215-00	5945	259-5694	61-20	1	
974-0216-00	5945	259-6424	61-19	1	
974-0219-00	5945	259-6419	12-8	3	
			17-74		
974-0220-00	5945	258-9850	12-5	3	
			25-7		
974-0365-00	5945	258-3565	17-105	1	
974-0510-00	5945	503-5057	62-16	1	
977STM1N			65-1	1	
988STT0			65-3	1	
999STM1N			65-2	1	

<b>SECTION IV</b> <b>REFERENCE DESIGNATION INDEX</b>
---

REFERENCE DESIGNATION	FIGURE & INDEX NO.	CLASS CODE OR STOCK NO.	PART NO.
A-801	12-15		506-6626-003
A-901	15-28		506-6914-004
A-1001	29-98	5821-575-4371	506-9069-003
A-1002	29-135		506-6977-003
A-1003	29-136		506-6979-003
A-1004	26-24		506-7029-004
A-1401	21-19		506-6676-004
A-1601	61-16	6125-553-7800	506-6877-004
A-1602	61-21		506-6879-004
A-1603	62-1		506-6880-004
A-1604	61-13		506-6870-003
A-1701-02-03-04	64-1		780-10G
A-2601	60-21	5821-327-4231	540-2579-003
B-101	4-15	4140-202-9230	219C
B-101	8-	4140-202-9230	219C
B-101	4-15	4140-640-5776	FBC1615B-14
B-101	8-	4140-640-5776	FBC1615B-14
B-101	4-15	4140-620-5765	FBC1615B-19
B-101	8-	4140-620-5765	FBC1615B-19
B-102	6-20	6105-241-8073	R-110-2B-C
B-103	5-23	6105-643-1112	C-25A-512
B-401	10-144	6105-643-1112	C-25A-512
B-401	10-144	6105-553-8616	R-125-100-PM-0235
B-1501	17-196	6105-556-8888	15-5153-16
C-101	9-1	5910-667-4939	96P47403S4
C-102	5-44	5910-669-4211	96P10502S2
C-103	4-10	5910-702-6489	913-2750-00
C-301	56-1	5910-668-0391	CM50B472J
C-302-03	57-9	5910-538-7735	CP53B1FF504M
C-304	57-15	5910-112-8466	CE63C080P
C-305	57-12		CM20B201J
C-306	57-6	5910-669-3882	86P10401S1
C-307	57-6.1	5910-669-3882	86P10401S1
C-308	57-15	5910-112-8466	CE63C080P
C-401	10-33	5910-263-0869	917-1029-00
C-401	10-33		822-124
C-402	10-32	5910-556-9427	CC20CH050C
C-403	10-41	5910-702-6489	913-2750-00
C-404	10-42	5910-195-7572	CC30UJ101J
C-405-06-07	10-41	5910-702-6489	913-2750-00
C-408-09	10-15	5910-669-4211	96P10501S2
C-409	10-15.1		29F472
C-410-11-12-13-14-15	10-168	5910-583-1590	CC20CK010C
C-416-17	10-178	5910-100-5758	CC20CK0R5C
C-418	10-50.1	5910-256-4261	CK63Y103Z
C-601	11-6	5910-727-3992	VCM15E221G
C-602	11-4	5910-669-2976	96P10303S4



Section IV  
Reference Designation Index

T.O. 12R2-4-6-4

REFERENCE DESIGNATION	FIGURE & INDEX NO.	CLASS CODE OR STOCK NO.	PART NO.
C-603	11-23	5910-649-2018	86P33403S15
C-604	11-24	5910-649-2016	86P22302S15
C-605-06	11-5	5910-519-9085	96P68203S4
C-608	11-19	5910-666-7004	PP8B30A2
C-608	11-19	5910-668-7569	29F473
C-609	11-15	5910-669-2089	96P47453S2
C-610	11-16	5910-669-1885	P1110
C-611	11-4	5910-669-2976	96P10303S4
C-612	11-25	5910-669-3364	913-0996-00
C-612	11-25	5910-702-6489	913-2750-00
C-613	11-25	5910-669-3364	913-0996-00
C-613	11-25	5910-702-6489	913-2750-00
C-801	12-9	5910-649-2016	86P22302S15
C-802	12-10	5910-256-4261	CK63Y103Z
C-901	15-1	5910-649-1887	86P10403S15
C-902	15-6	5910-242-0487	86P10401S15
C-903	15-18		912-2993-00
C-903	15-18	5910-648-8553	935-5016-00
C-904	15-23	5910-669-3364	913-0996-00
C-904	15-23	5910-702-6489	913-2750-00
C-905	16-12	5910-648-8223	CM15E471G
C-906	15-18		912-2993-00
C-906	15-18	5910-648-8553	935-5016-00
C-907	13-7	5910-649-1887	86P10403S15
C-908	15-23	5910-669-3364	913-0996-00
C-908	15-23	5910-702-6489	913-2750-00
C-909	13-8	5910-242-0487	86P10401S15
C-910-11	13-7	5910-649-1887	86P10403S15
C-912	14-15	5910-648-7755	VCM15C150K
C-913	13-10	5910-649-0841	86P47402S15
C-914	16-13	5910-280-9571	CM15E511G
C-916	14-9	5910-280-9571	CM15E511G
C-917	15-26	5910-648-7755	VCM15C150K
C-917	15-26	5910-666-7170	VCM15C100K
C-918	14-15	5910-648-7755	VCM15C150K
C-919	14-12	5910-669-2995	96P47301S4
C-920-21	14-3	5910-649-0843	96P33301S4
C-922	14-12	5910-669-2995	96P47301S4
C-923-24	13-7	5910-649-1887	86P10403S15
C-926	13-7	5910-649-1887	86P10403S15
C-927	15-2	5910-667-5759	VCM15E390G
C-927	15-2	5910-666-7886	VCM15E470G
C-928	15-3	5910-648-7889	VCM15E910G
C-929	13-8	5910-242-0487	86P10401S15
C-930	13-7	5910-649-1887	86P10403S15
C-931	15-7	5910-649-1600	86P47301S15
C-932	14-5		VCM15E221K
C-933	14-19		VCM15E221K
C-934	15-15	5910-256-4261	CK63Y103Z
C-1001	37-2	5910-553-5840	VCM15E181G
C-1002	37-5	5910-648-9596	917-1073-00
C-1003	39-6		VCM15E510J
C-1004-05-06-07	39-4	5910-669-3364	913-0996-00
C-1008	38-2	5910-727-3992	VCM15E221G
C-1009	38-4	5910-666-7974	917-1075-00
C-1010	36-2	5910-727-3992	VCM15E221G
C-1011	36-3	5910-666-7974	917-1075-00

REFERENCE DESIGNATION	FIGURE & INDEX NO.	CLASS CODE OR STOCK NO.	PART NO.
C-1012	38-3	5910-228-5944	CC22CH040D
C-1013	34-2	5910-642-6777	VCM15E241G
C-1014	34-4	5910-666-7974	917-1075-00
C-1015	34-3	5910-228-5944	CC22CH040D
C-1016	32-2	5910-642-6777	VCM15E241G
C-1017	32-4	5910-666-7974	917-1075-00
C-1018	33-2	5910-556-0039	VCM15E620J
C-1019	33-3		917-1074-00
C-1020	24-3	5910-648-9048	CC22CK010C
C-1021	35-2	5910-677-5565	VCM15E750G
C-1022	35-3		917-1074-00
C-1023	52-3	5910-556-0309	CC33HG121J
C-1024	31-2	5910-648-9596	917-1073-00
C-1025	30-2	5910-252-4101	CC21TJ100D
C-1026	30-3	5910-648-9596	917-1073-00
C-1027	24-3	5910-648-9048	CC22CK010C
C-1028	45-3	5910-666-7869	VCM15E360G
C-1029	45-2	5910-553-5840	VCM15E181G
C-1030	45-4	5910-666-7974	917-1075-00
C-1031	43-3		CC22CH120J
C-1032	43-2	5910-688-7128	CC33HG101J
C-1033	43-4		917-1074-00
C-1034	40-3	5910-553-3731	CC22CH100D
C-1035	40-2	5910-669-1795	VCM15E240J
C-1036	40-4		917-1074-00
C-1037	42-2	5910-614-4235	VCM15E510G
C-1038	42-3	5910-228-5944	CC22CH040D
C-1039	42-4		917-1074-00
C-1040	47-3	5910-270-5382	CM15E511J
C-1041	47-2	5910-270-3181	VCM15E181J
C-1042	47-5	5910-666-7974	917-1075-00
C-1043	46-2	5910-648-8553	935-5016-00
C-1044	46-3	5910-688-7128	CC33HG101J
C-1045	46-4		917-1074-00
C-1046	41-2	5910-669-2151	VCM15E151G
C-1047	41-3		CC22UJ100D
C-1048	41-4		917-1074-00
C-1049	44-2		VCM15C100J
C-1050	44-4		917-1074-00
C-1051	54-3	5910-648-8553	935-5016-00
C-1052	54-2	5910-727-3993	VCM15E301G
C-1053	54-4	5910-666-7974	917-1075-00
C-1054	52-2	5910-280-9571	CM15E511G
C-1055	51-2		VCM15C100J
C-1056	52-4		917-1074-00
C-1057	26-13		CC22CH120J
C-1058	48-2	5910-553-5840	VCM15E181G
C-1059	48-4	5910-648-9596	917-1073-00
C-1060	48-3	5910-553-3728	CC22SH300J
C-1061	50-2	5910-644-6186	VCM15E331G
C-1062	50-3	5910-544-6562	VCM15E560G
C-1063	50-4		917-1074-00
C-1064	55-2	5910-553-5840	VCM15E181G
C-1065	55-3	5910-666-7974	917-1075-00
C-1066	53-2	5910-112-7952	928-4965-00
C-1067	53-3		917-1074-00
C-1068	47-4	5910-519-8867	CM15E270J

REFERENCE DESIGNATION	FIGURE & INDEX NO.	CLASS CODE OR STOCK NO.	PART NO.
C-1069	49-3		917-1074-00
C-1070	51-3		917-1074-00
C-1071	39-12	5910-583-1590	CC20CK010C
C-1071	39-12	5910-100-5758	CC20CK1R5C
C-1072	39-4	5910-669-3364	913-0996-00
C-1073	28-17	5910-702-6489	913-2750-00
C-1074	27-7	5910-667-7846	86P10303S15
C-1075	28-18	5910-649-1312	928-4922-00
C-1076	27-8	5910-649-1887	86P10403S15
C-1077	27-7	5910-667-7846	86P10303S15
C-1078	28-17	5910-702-6489	913-2750-00
C-1079	27-8	5910-649-1887	86P10403S15
C-1080	28-21	5910-184-2334	CC22CH050F
C-1081	27-8	5910-649-1887	86P10403S15
C-1082-83	28-17	5910-702-6489	913-2750-00
C-1084	28-18	5910-649-1312	928-4922-00
C-1085	28-17	5910-702-6489	913-2750-00
C-1086	28-18	5910-649-1312	928-4922-00
C-1087	27-7	5910-667-7846	86P10303S15
C-1088	28-19	5910-184-2334	CC22CH050F
C-1089-90	28-17	5910-702-6489	913-2750-00
C-1091-92	27-8	5910-649-1887	86P10403S15
C-1093	27-7	5910-667-7846	86P10303S15
C-1094	28-19	5910-184-2334	CC22CH050F
C-1095	28-17	5910-702-6489	913-2750-00
C-1096	28-18	5910-649-1312	928-4922-00
C-1097	27-7	5910-667-7846	86P10303S15
C-1098	28-17	5910-702-6489	913-2750-00
C-1099	25-8	5910-667-7846	86P10303S15
C-1101	25-8	5910-667-7846	86P10303S15
C-1102	26-6	5910-702-6489	913-2750-00
C-1103	26-12	5910-256-4261	CK63Y103Z
C-1104	25-8	5910-667-7846	86P10303S15
C-1105	26-6	5910-702-6489	913-2750-00
C-1106	26-12	5910-256-4261	CK63Y103Z
C-1107	26-23	5910-160-8106	CC30CH200J
C-1108	25-10		86P10402S15
C-1109	26-17	5910-254-5953	96P10303S2
C-1110	26-12	5910-256-4261	CK63Y103Z
C-1111-12	25-9	5910-649-1887	96P47301S2
C-1113	27-9	5910-649-1401	86P10403S15
C-1113	27-9	5910-649-1038	96P10401S2
C-1114	24-1	5910-666-7974	917-1075-00
C-1115	32-3		CC22CH120J
C-1116	39-11	5910-668-0182	CC22UJ050D
C-1116	39-11	5910-556-9427	CC20CH050C
C-1117	44-3	5910-544-6562	VCM15E560G
C-1118-19-20	24-2	5910-280-9571	CM15E511G
C-1121	49-2		CC22UJ100D
C-1122	28-17	5910-702-6489	913-2750-00
C-1123	28-22	5910-552-9796	PP4B60A2
C-1123	28-22	5910-668-7569	29F473
C-1124	37-3	5910-553-3726	CC22UJ150J
C-1125	37-4	5910-553-3731	CC22CH100D
C-1201	23-19	5910-253-5255	VCM15E101K
C-1202	23-5	5910-644-0672	96P10302S2
C-1202	23-5	5910-644-0672	96P10302S4
C-1203	23-29	5910-648-9491	VCM15E331J

REFERENCE DESIGNATION	FIGURE & INDEX NO.	CLASS CODE OR STOCK NO.	PART NO.
C-1203	23-29		VCM15E241J
C-1204	23-32	5910-648-7894	VCM15E391J
C-1205	23-33	5910-644-0672	96P10302S4
C-1206	23-4	5910-648-9596	917-1073-00
C-1207	23-18	5910-648-7900	CM15E471K
C-1208	23-13	5910-666-8937	CC30CH360J
C-1208	23-13	5910-617-9377	CC30CH430F
C-1209	23-14	5910-242-6073	CM15E431G
C-1209	23-14	5910-264-9450	VCM15E361G
C-1210	23-15	5910-669-1920	DA934-017(X)
C-1210	23-15	5910-688-7129	CC30TH910G
C-1211	23-5	5910-644-0672	96P10302S2
C-1211	23-5	5910-644-0672	96P10302S4
C-1212	23-24	5910-667-8866	913-1476-00
C-1213	23-17	5910-668-1612	CC30CH470K
C-1215	23-26	5910-702-6489	913-2750-00
C-1216	23-24	5910-667-8866	913-1476-00
C-1217	23-26	5910-702-6489	913-2750-00
C-1218	23-12.1	5910-648-7896	VCM15E560J
C-1219	23-35	5910-648-8553	935-5016-00
C-1301	22-15		96P33301S2
C-1302-03	22-20	5910-254-5953	96P10302S2
C-1304	22-14	5910-668-0506	130K
C-1305	22-19	5910-280-6978	96P10403S2
C-1306	22-8	5910-101-4883	CM20C511J
C-1401	19-11	5910-666-6989	29F444
C-1402	19-12	5910-649-2194	96P15401S2
C-1402	19-12	5910-262-8439	96P22401S2
C-1403	21-6	5910-649-1401	96P10401S2
C-1404	19-19	5910-649-2187	96P10403S4
C-1405	21-7	5910-264-9450	CM15E431G
C-1406	21-9	5910-280-9571	CM15E511G
C-1407	21-7	5910-242-6073	CM15E431G
C-1408	21-8		VCM15E390G
C-1409	19-17	5910-668-5281	96P47303S4
C-1410	19-19	5910-649-2187	96P10403S4
C-1411	19-17	5910-668-5281	96P47303S4
C-1412	19-19	5910-649-2187	96P10403S4
C-1413	20-15	5910-553-3725	913-2749-00
C-1414	21-16	5910-280-6978	96P10403S2
C-1415-16	20-8	5910-644-0672	96P10302S4
C-1417	20-7	5910-666-7156	CK61Y102Z
C-1417	20-7		913-0146-00
C-1417	20-7	5910-553-3725	913-2749-00
C-1418	20-7	5910-666-7156	CK61Y102Z
C-1418	20-7		913-0146-00
C-1418	20-7	5910-553-3725	913-2749-00
C-1420	20-4	5910-649-1887	86P10403S15
C-1421	21-4	5910-184-3048	VCM15E101G
C-1422	19-13	5910-702-6489	913-2750-00
C-1501	17-178	5910-184-3048	VCM15E101G
C-1501	17-178	5910-668-3527	928-4059-00
C-1502-03-04	18-8	5910-578-5507	209C203A2
C-1505	18-25	5910-649-1401	96P10401S2
C-1506	17-117	5910-668-0391	CM50B472K
C-1507	18-22	5910-556-1425	913-2142-00
C-1508	17-60	5910-669-2062	912-0735-00

REFERENCE DESIGNATION	FIGURE & INDEX NO.	CLASS CODE OR STOCK NO.	PART NO.
C-1509	17-62	5910-668-0355	912-0730-00
C-1509	17-62		M72-16876-1
C-1510	17-59	5910-538-3979	912-0733-00
C-1510	17-59		912-0727-00
C-1511	17-65		912-0752-00
C-1511	17-65	5910-702-6427	912-2302-00
C-1511	17-65	5910-668-0355	912-0730-00
C-1512	17-250	5910-197-1485	CC20CH120J
C-1513	17-91	5910-187-2011	CC20CH050D
C-1514	17-86	5910-266-0128	96P10301S4
C-1515	17-252	5910-543-0823	CC20CK020C
C-1516	17-251	5910-556-0427	CC20CH050C
C-1517	18-1	5910-184-3048	VCM15E101G
C-1518	17-238	5910-266-0128	96P10301S4
C-1519	17-48	5910-544-7003	913-0834-00
C-1520	17-49	5910-667-8784	913-0833-00
C-1520	17-49		913-0835-00
C-1521	17-47	5910-667-8784	913-0833-00
C-1521	17-47		913-0835-00
C-1522	17-33	5910-667-6161	913-0832-00
C-1522	17-33	5910-666-8115	913-0823-00
C-1523	17-94	5910-101-4531	CM45B102K
C-1524	17-54	5910-539-7689	DA-858-003
C-1525-26	17-238	5910-266-0128	96P10301S4
C-1527-28	18-22	5910-556-1425	913-2142-00
C-1529-30-31	18-24	5910-702-6489	913-2750-00
C-1532	18-2	5910-666-7975	917-1072-00
C-1533	17-49	5910-667-8784	913-0833-00
C-1533	17-49		913-0835-00
C-1534	17-61	5910-668-0557	912-1135-00
C-1535	17-66	5910-544-6524	912-0743-00
C-1535	17-66		912-0748-00
C-1536	17-49	5910-667-8784	913-0833-00
C-1536	17-49		913-0835-00
C-1537	17-49	5910-667-8784	913-0833-00
C-1537	17-49		913-0835-00
C-1538	17-49	5910-667-8784	913-0833-00
C-1538	17-49		913-0835-00
C-1539	17-49	5910-667-8784	913-0833-00
C-1539	17-49		913-0835-00
C-1540	17-46	5910-702-6489	913-2750-00
C-1541	17-73	5910-702-6489	913-2750-00
C-1601	61-14		CE52C300Q
C-1601	61-14	5910-648-8854	184-9007-00
C-1602	61-14		CE52C300Q
C-1602	61-14	5910-648-8854	184-9007-00
C-1603	62-39	5915-668-8182	241-0076-00
C-1604	62-28	5910-552-9796	PP4B60A2
C-1605	62-23	5910-649-1075	931-2733-00
C-1606	62-24		CE63C200J
C-1607	62-20	5910-649-1438	930-0524-00
C-1608	61-14		CE52C300Q
C-1608	61-14	5910-648-8854	184-9007-00
C-1611	62-24	5910-160-8106	CE63C200J
C-1612	62-6		86P68303S1
C-1613-14-15	62-34		86P10304T15
C-1616	62-12B		81P22401S2

REFERENCE DESIGNATION	FIGURE & INDEX NO.	CLASS CODE OR STOCK NO.	PART NO.
C-1801	59-7	5910-539-7689	DA-858-003
C-1802 thru C-1843	59-4	5910-667-8866	913-1476-00
C-1844	59-7	5910-539-7689	DA-858-003
C-1845 thru C-1886	59-4	5910-667-8866	913-1476-00
CR-1001-02-03-04	39-2	5960-552-9522	MP3016
CR-1005	39-9	5960-284-6516	1N198
CR-1006	28-29	5960-519-6178	HD6007
CR-1201	23-7	5960-642-8706	1N137A
CR-1201	23-7	5960-296-0159	1N67A
CR-1501-02	17-245	5960-552-9522	MP3016
CR-1503	17-84	5960-284-6516	1N198
CR-1601	62-26	6130-635-5681	6RS5TH47
CR-1602	62-3	6130-284-1014	6RS 20GH10 BB1
CR-1603	62-26	6130-635-5681	6RS5TH47
D-1601	61-15	6125-635-5480	SS442
D-1601	61-15	6125-604-8637	SS625
D-1601	63-	6125-635-5480	SS442
D-1601	63-	6125-604-8637	SS625
E-101	5-11	6240-179-1811	NE-2
E-401-02	10-14	6240-179-1811	NE-2
E-404-05-06	10-51	5940-223-4822	ST-1050-34
E-412	10-51	5940-223-4822	ST-1050-34
E-801	12-2	5960-295-7652	541-6552-003
E-901-02-03	13-2	5960-564-4772	541-6551-003
E-904-05	13-3	5960-564-4792	541-6550-003
E-1001	27-1	5960-564-4792	541-6550-003
E-1002-03-04-05-06	27-2	5960-564-4772	541-6551-003
E-1007	27-1	5960-564-4792	541-6550-003
E-1008-09	25-4	5960-564-4772	541-6551-003
E-1010-11	25-1		541-6554-003
E-1012-13-14-15	28-13	5940-271-9944	306-0234-00
E-1016	27-6	5940-271-9944	306-0234-00
E-1017-18	28-13	5940-271-9944	306-0234-00
E-1019	25-6	5940-271-9944	306-0234-00
E-1020	27-6	5940-271-9944	306-0234-00
E-1021	25-6	5940-271-9944	306-0234-00
E-1022	26-14	5940-271-9944	306-0234-00
E-1026	27-6	5940-271-9944	306-0234-00
E-1301-02	22-1		541-6554-003
E-1401	19-2		541-6554-003
E-1402	19-6	5960-564-4792	541-6550-003
E-1403	19-2		541-6554-003
E-1603	62-30	5940-571-9944	306-0234-00
E-1801	59-6	5940-500-9326	106-FP
E-1801	59-6		9094
E-1802	59-6	5940-500-9326	106-FP
E-1802	59-6		9094
E-1802-04-05-06	58-1		505-0197-002
F-1601	61-1	5920-605-2884	F02G2R00A
F-1602	61-5		F02GR500A
F-1602	61-5	5920-428-5725	F02G1R00A
F-1603	61-1	5920-665-2884	F02G2R00A
F-1604	61-5		F02G1R00A
F-1604	61-5		F02GF500A
G-601	11-33	5945-553-9611	300
H-1601	62-20		139-3300-00
HR-1203	23-10	5955-561-6401	292-0102-00
I-401	10-24	1280-696-2725	506-6482-003

Section IV  
Reference Designation Index

T.O. 12R2-4-6-4

REFERENCE DESIGNATION	FIGURE & INDEX NO.	CLASS CODE OR STOCK NO.	PART NO.
I-402	10-25	5355-518-0104	506-6483-003
I-2601-02-03	60-16	6240-155-7836	MAZDA #327
I-2604-05	60-14	6210-548-0125	262-0335-00
I-2606	60-15		262-0430-00
I-2607	60-12	5355-518-3251	506-8803-003
I-2608	60-7		506-9934-002
J-101	4-11	5935-283-1269	JJ-034
J-102	4-12	5935-643-6685	JJ-033
J-103	4-11	5935-283-1269	JJ-034
J-104	4-13	5935-502-8306	MH-7M
J-105	9-3	5935-502-8306	MH-7M
J-106	4-21	5935-502-8306	MH-7M
J-107	4-22	5935-257-8683	MH-9F
J-108	9-3	5935-502-8306	MH-7M
J-109	4-32	5935-149-3483	UG-58A/U
J-109	4-32	5935-583-7058	357-9129-00
J-110	4-17	5935-149-3483	UG-58A/U
J-301-02	57-1	5935-280-2957	126-807-1002
J-303	57-2	5935-302-6274	126-150-1000
J-304-05	57-1	5935-280-2957	126-807-1002
J-306	57-4	5935-280-2957	126-807-1002
J-307-08	57-1	5935-280-2957	126-807-1002
J-309	57-2	5935-302-6274	126-150-1000
J-309	57-4	5935-396-3142	26-807
J-310	57-1	5935-280-2957	126-807-1002
J-311-12-13	57-2	5935-302-6274	126-150-1000
J-314	57-3	5935-259-3948	126-805-1000
J-315-16	57-2	5935-302-6274	126-150-1000
J-317-18	57-3	5935-259-3948	126-805-1000
J-1001	29-123	5821-553-2857	506-6924-002
J-1601	64-4	5935-295-3056	DPD-23HV1-335-2V
J-1602	62-25	6125-642-2185	506-6874-003
J-1801-02	59-5	5935-259-3476	26-190(32)-1
J-2601	60-30	5935-295-3064	357-9195-00
K-101	5-6	5945-241-4661	R41-1139
K-101	5-6	5945-295-4512	R41-1966
K-401-02	10-68	5945-257-6349	R41-1140
K-801	12-5	5945-258-9850	22300-54
K-802	12-8	5945-259-6419	22300-62
K-803	12-5	5945-258-9850	22300-54
K-804	12-8	5945-259-6419	22300-62
K-1001	25-7	5945-258-9850	22300-54
K-1501	17-74	5945-259-6419	22300-62
K-1502	17-105	5945-258-3565	974-0365-00
K-1601	62-36	5945-257-0317	AN3350-2
K-1602	61-19	5945-259-6424	22300-52
K-1603	61-20	5945-259-5694	22300-45
K-1604	62-16	5945-503-5057	PW-4097-1
K-1604	62-16		402-0219-00
L-301	57-10	5950-561-6410	C-0047140E
L-302	57-11	5950-561-6364	DM-0084
L-303	57-6.1	5999-642-4780	10404-32
L-401	10-44	5950-561-6364	DM-0084
L-901	16-11	5950-648-6897	506-6901-002
L-903-04	15-21	5950-561-6366	C-0047471
L-905	14-20	5950-387-0489	C-0047109
L-1001A	37-8	5950-538-4568	506-7014-003

REFERENCE DESIGNATION	FIGURE & INDEX NO.	CLASS CODE OR STOCK NO.	PART NO.
L-1001B	37-9	5950-538-4834	506-7012-003
L-1002	38-7		506-7015-003
L-1003	36-6		506-7015-003
L-1004	34-7		506-7015-003
L-1005	32-7		506-7015-003
L-1006	33-6		506-7021-003
L-1007	35-6		506-7021-003
L-1008	31-5		506-7022-003
L-1009	30-6		506-7022-003
L-1010	45-7		506-7015-003
L-1011	43-7		506-7016-003
L-1012	40-7	5950-686-7842	506-7017-003
L-1013	42-7		506-7019-003
L-1014	47-8		506-7015-003
L-1015	46-7		506-7016-003
L-1016	41-7	5950-686-7842	506-7017-003
L-1017	44-7		506-7019-003
L-1018	54-7		506-7015-003
L-1019	52-7		506-7016-003
L-1020	48-7	5950-686-7842	506-7017-002
L-1021	50-7		506-7019-003
L-1022	55-6		506-7015-003
L-1023	53-6		506-7016-003
L-1024	49-6		506-7018-003
L-1025	51-6		506-7020-003
L-1026	39-10	5950-387-0489	C-0047109
L-1027	26-3	5950-645-7431	18-1117
L-1028	26-11	5950-645-7431	18-1117
L-1201-02	23-31	5950-560-5923	506-6192-002
L-1203	23-16	5950-560-5924	506-6211-003
L-1204-05	23-25	5950-387-0489	C-0047109
L-1206	23-36	5950-561-6366	C-0047471
L-1401-02	21-3	5950-645-9148	15260
L-1501	18-7	5950-645-7431	18-1117
L-1502	17-121	5950-560-5954	506-7443-004
L-1503	17-70	5950-560-5952	506-7408-002
L-1504	17-98	5950-518-0774	506-7406-002
L-1505	17-87	5950-645-7431	18-1117
L-1601-02	61-18	5950-648-3504	15052
L-1603	62-42	5950-648-3088	240-0138-00
L-1604	62-40	5950-237-1534	C-0047323
L-1605	62-41	5950-646-0098	06536
L-1606	62-31	5950-645-9094	18926
L-1607	62-12A		MP-206-32-B
L-1801	59-9	5950-645-4388	240-6000-00
L-1802 thru L-1834	59-2	5950-518-1979	240-0023-00
L-1835	59-3	5950-250-8733	A-6874CY
L-1836-37-38-39	59-2	5950-518-1979	240-0023-00
L-1840	59-3	5950-250-8733	A16874CY
L-1841-42-43	59-2	5950-518-1979	240-0023-00
M-101	7-2	6625-025-7110	458-0164-00
M-101	7-2	6625-684-7879	476-0216-00
O-107	5-12	5821-219-6317	503-5079-002
O-107	5-12	5821-302-3576	504-7789-002
O-1001-02-03-04-05	29-132		F-342
O-1006	29-27		F-342
O-1007-08-09	29-132		F-342



Section IV  
Reference Designation Index

T.O. 12R2-4-6-4

REFERENCE DESIGNATION	FIGURE & INDEX NO.	CLASS CODE OR STOCK NO.	PART NO.
O-1010	29-134		F-310-3
O-1011	29-133		F-310
O-1012-13	29-126	5821-304-8831	506-6951-002
O-1014	29-37		506-6955-002
O-1015	29-29		506-6952-002
O-1016	29-40		506-6953-002
O-1017	29-15		506-6954-002
O-1018	29-8	5821-528-1202	506-6957-002
O-1019-20	29-6	5821-528-0625	506-6958-002
O-1021	29-9	5821-528-1086	506-6960-002
O-1022	29-7	5821-560-5937	506-6961-002
O-1023-24	29-10		540-5414-002
O-1025	29-30	5821-528-1088	506-6959-002
O-1026	29-28	5821-528-0628	506-6962-002
O-1027-28-29-30-31	29-5	4730-396-3116	504-7537-002
O-1032-33-34	29-1	5821-332-4671	506-6928-002
O-1035-36-37-38	29-62	5821-529-0803	506-7023-003
O-1039-40-41-42	29-112		506-6947-002
O-1047-48	29-111	5821-530-5633	506-6950-002
O-1503	17-116	5821-315-0271	506-7343-002
O-1520	17-188		F-342
O-1521	17-15	5821-560-5977	540-7420-002
O-1524	17-133	5821-332-4701	506-7383-002
O-1801	58-4	5821-697-9927	506-7514-002
O-1802	58-4		506-7511-002
O-1803	58-4	5821-697-9927	506-7514-002
O-1804	58-4		506-7511-002
O-2601-02	60-67	5821-575-4350	540-4043-002
O-2603	60-69	5340-546-3457	506-7779-002
O-2604	60-70	5821-574-0267	540-4024-002
P-104	4-21	5935-295-6479	MH-7M
P-105	8-17	5935-295-6479	MH-7M
P-106	6-22	5935-295-6479	MH-7M
P-107	5-14	5935-301-3717	MH-9M
P-108	7-3	5935-295-6479	MH-7M
P-111	4-20	5935-173-5908	126-806-1001
P-112	9-4	5935-295-5006	126-151-1001
P-301-02	57-5	5935-258-2980	26-159-32
P-401-02	10-203	5935-173-5908	126-806-1001
P-601	11-35	5935-295-5006	126-151-1001
P-801-02	12-13	5935-295-5006	126-151-1001
P-901	14-21	5935-173-5908	126-806-1001
P-1001	25-11	5935-173-5908	126-806-1001
P-1002	28-32	5935-173-5908	126-806-1001
P-1201	23-27	5935-295-5006	126-151-1001
P-1301	22-22	5935-518-9989	126-804-1000
P-1401	21-15	5935-295-5006	126-151-1001
P-1501	17-227	5935-173-5908	126-806-1001
P-1502	17-192	5935-173-5908	126-806-1001
P-1503	17-179	5821-518-6791	154570
P-1601	62-32	5935-259-4074	DPD-23HV1-34P-2V
R-101	7-9	5905-190-8865	RC20GF274J
R-102	7-8	5905-279-3499	RC20GF273J
R-103	7-4	5905-279-1876	RC20GF222J
R-104	7-5	5905-279-3506	RC20GF332J
R-105	7-6	5905-252-4018	RC20GF470J
R-106-07	9-2	5905-665-6806	380-6262-00

REFERENCE DESIGNATION	FIGURE & INDEX NO.	CLASS CODE OR STOCK NO.	PART NO.
R-108	9-5	5905-185-8518	RC20GF103K
R-109	9-2	5905-665-6806	380-6262-00
R-301	56-4	5905-615-1257	747-9864-00
R-302	56-5	5905-583-7610	747-9862-00
R-303-04	56-6	5905-583-7615	747-9863-00
R-305	56-2	5905-221-5848	RC20GF824K
R-306	57-8	5905-299-7966	RW32GR50
R-307	57-7	5905-283-1747	RW30G350
R-308	57-13	5905-173-9880	747-9431-00
R-309	57-14	5905-249-4227	RC42GF183K
R-309	57-14	5905-195-5524	RC42GF182K
R-401	10-43		RC20BF105K
R-401	10-43	5905-195-6761	RC20GF104K
R-402	10-40	5905-192-3988	RC20GF563K
R-402	10-40	5905-190-8876	RC20GF153K
R-403	10-50	5905-249-4248	RC20GF333K
R-404	10-49	5905-195-6451	RC20GF472K
R-405	10-190	5905-502-4492	RW30G101
R-405	10-190	5905-665-6854	RW30G121
R-407	10-15.2	5905-252-2995	RC20GF220K
R-408	10-50.2	5905-195-6817	RC20GF102K
R-409	10-50.3	5905-185-6575	RC20GF392K
R-601	11-3	5905-192-3982	RC20GF105K
R-602	11-9	5905-195-6809	RC20GF122K
R-603	11-10	5905-279-2514	RC20GF564K
R-604-05	11-8	5905-295-3409	RC20GF224K
R-606	11-12	5905-256-0409	RC32GF221K
R-607	11-10	5905-279-2514	RC20GF564K
R-608	11-7		RC20GF683K
R-608	11-7	5905-249-4248	RC20GF333K
R-609	11-11	5905-185-6946	RC20GF474K
R-610	11-17	5905-171-2005	RC32GF471K
R-611	11-14	5905-279-3495	RC20GF753J
R-612	11-20	5905-279-1752	RC20GF120J
R-612	11-20	5905-279-3523	RC20GF130J
R-612	11-20	5905-279-3521	RC20GF150J
R-612	11-20	5905-279-3522	RC20GF160J
R-612	11-20	5905-279-1753	RC20GF180J
R-612	11-20	5905-279-3520	RC20GF200J
R-612	11-20	5905-279-3519	RC20GF220J
R-612	11-20	5905-279-1750	RC20GF240J
R-612	11-20	5905-299-1879	RC20GF270J
R-612	11-20	5905-279-3518	RC20GF300J
R-612	11-20	5905-192-4490	RC20GF330J
R-612	11-20	5905-279-1885	RC20GF360J
R-612	11-20	5905-195-5546	RC20GF390J
R-613	11-13	5905-279-1757	RC20GF152J
R-613	11-13	5905-279-1757	RC20BF152J
R-614	11-18	5905-279-3521	RC20GF150K
R-614	11-18	5905-190-8883	RC20BF100J
R-801	12-12	5905-552-4240	747-9150-00
R-803	12-7	5905-279-2029	RC20GF223K
R-804	12-6	5905-171-2009	RC20GF222K
R-805	12-7	5905-279-2029	RC20GF223K
R-806	12-6	5905-171-2009	RC20GF222K
R-807	12-11	5905-295-3410	RC20GF473K
R-901	15-9	5905-279-2029	RC20GF223K

REFERENCE DESIGNATION	FIGURE & INDEX NO.	CLASS CODE OR STOCK NO.	PART NO.
R-902	15-14	5905-295-3410	RC20GF473K
R-903	15-22	5905-279-1756	RC20GF151K
R-903	15-22	5905-171-1997	RC20BF331K
R-903	15-22	5905-195-6799	RC20GF561K
R-903	15-22	5905-256-0387	RC20GF681K
R-903	15-22	5905-257-2631	RC20GF821K
R-903	15-22	5905-279-3514	RC20GF181K
R-903	15-22	5905-256-0409	RC20GF221K
R-903	15-22	5905-185-6966	RC20GF271K
R-903	15-22	5905-171-1997	RC20GF331K
R-903	15-22	5905-279-1809	RC20GF391K
R-903	15-22	5905-171-2005	RC20GF471K
R-904	15-13	5905-190-8876	RC20GF153K
R-904	15-13	5905-190-8876	RC20BF153K
R-905-06	15-20	5905-279-2029	RC20GF223K
R-907	15-25	5905-171-1997	RC20GF331K
R-908	15-13	5905-190-8876	RC20GF153K
R-908	15-13	5905-190-8876	RC20BF153K
R-909	14-2	5905-195-6500	RC20GF124K
R-910	15-24	5905-192-3987	RC20GF104K
R-911	15-25	5905-171-1997	RC20GF331K
R-912	15-11	5905-195-6758	RC20GF273K
R-912	15-11	5905-279-2029	RC20BE223K
R-913	15-10	5905-299-2036	RC32GF682K
R-913	15-10	5905-279-1719	RC30BF103K
R-914	14-10	5905-279-2519	RC20BF334K
R-914	14-10	5905-279-2519	RC20GF334J
R-915	14-11		RC20GF683K
R-915	14-11	5905-254-7097	RC20GF823J
R-916	14-2	5905-195-6500	RC20GF124K
R-917	14-8	5905-192-3987	RC20GF104K
R-918-19	14-7	5905-295-3409	RC20GF224K
R-920	14-17	5905-185-6946	RC20GF474K
R-921	14-16	5905-192-3987	RC20GF104K
R-922	15-12	5905-171-1985	RC32GF822K
R-922	15-12	5905-279-2616	RC20BF153K
R-923	15-12	5905-171-1985	RC32GF822K
R-923	15-12	5905-279-2616	RC20BF153K
R-924	14-4	5905-190-8865	RC20GF274K
R-925	15-24	5905-192-3987	RC20GF104K
R-926	14-6	5905-192-0662	RC20GF184K
R-927	14-18	5905-190-8876	RC20GF153K
R-1001-02	39-5	5905-283-8041	RN20X1001F
R-1003	39-3	5905-195-6799	RC20GF561K
R-1004-05	39-7	5905-502-4492	RN20X2672F
R-1006	28-23	5905-195-6451	RC20GF472K
R-1006	28-23	5905-537-6462	RC20GF562K
R-1006	28-23	5905-299-2036	RC20GF682K
R-1006	28-23	5905-279-1718	RC20GF822K
R-1006	28-23	5905-185-8518	RC20GF103K
R-1006	28-23	5905-537-6437	RC20GF272K
R-1006	28-23	5905-195-6502	RC20GF332K
R-1006	28-23	5905-185-6575	RC20GF392K
R-1007	39-8	5905-192-3987	RC20GF104K
R-1008	28-2	5905-279-2029	RC32GF223K
R-1009	28-16	5905-256-0387	RC20GF681K
R-1010	28-14	5905-192-3988	RC20GF563K

REFERENCE DESIGNATION	FIGURE & INDEX NO.	CLASS CODE OR STOCK NO.	PART NO.
R-1011	28-3	5905-295-3410	RC20GF473K
R-1012	28-20	5905-186-3008	RC20GF101K
R-1013	28-3	5905-295-3410	RC20GF473K
R-1014	28-7	5905-195-6451	RC20GF472K
R-1015	28-14	5905-299-2012	RC20GF563K
R-1016	28-6	5905-256-0409	RC20GF221K
R-1017	28-9	2905-299-2012	RC32GF683K
R-1018	28-14	5905-192-3988	RC20GF563K
R-1019	28-24	5905-190-8882	RC20GF393K
R-1020	28-25	5905-195-6758	RC20GF273K
R-1021	28-14	5905-192-3988	RC20GF563K
R-1022	28-5	5905-171-2009	RC20GF222K
R-1022	28-5	5905-195-6817	RC20GF102K
R-1023	28-4	5905-254-7096	RC20GF823K
R-1024	28-14	5905-192-3988	RC20GF563K
R-1025	28-8	5905-192-3988	RC32GF563K
R-1026	28-11	5905-171-1997	RC20GF331K
R-1027-28	28-14	5905-192-3988	RC20GF563K
R-1029	28-11	5905-171-1997	RC20GF331K
R-1030	28-14	5905-192-3988	RC20GF563K
R-1031	28-10	5905-192-3987	RC20GF104K
R-1032	28-15	5905-192-3987	RC20GF104K
R-1033	28-28	5905-195-6809	RC20GF122K
R-1034	28-27	5905-195-6500	RC20GF124K
R-1035	26-8	5905-192-3987	RC20GF104K
R-1036	26-7	5905-171-1997	RC20GF331K
R-1037	26-4	5905-190-8884	RC20GF123K
R-1039	26-9	5905-195-6758	RC20GF273K
R-1040	26-10	5905-256-0409	RC20GF221K
R-1041	26-2	5905-190-8876	RC20GF153K
R-1042	26-15	5905-279-3500	RC20GF183K
R-1043	26-21	5905-617-7226	RC32GF471K
R-1044	28-30	5905-279-2029	RC20GF223K
R-1045	26-19	5905-279-2643	RC32GF101K
R-1046	28-31	5905-253-1231	RC42GF391K
R-1047	26-20	5905-279-1719	RC32GF103K
R-1048	27-10	5905-279-2519	RC20BF334K
R-1048	27-10	5905-279-2515	RC20BF474K
R-1048	27-10	5905-279-2515	RC20GF474K
R-1049	28-15.1	5905-192-3987	RC20GF104K
R-1049	28-15.1	5905-279-3494	RC20GF823J
R-1050	28-15	5905-192-3987	RC20GF104K
R-1051	26-4.1	5905-195-6758	RC32GF273K
R-1052	28-15	5905-192-3987	RC20GF104K
R-1201-02	23-6	5905-279-2515	RC20GF474K
R-1203	23-34	5905-192-3987	RC20GF104K
R-1204	23-30	5905-279-1714	RC32GF224K
R-1205	23-8	5905-192-3787	RC20GF104K
R-1207	23-8	5905-192-3787	RC20GF104K
R-1208	23-12	5905-192-3787	RC32GF104K
R-1209	23-23	5905-114-2714	RC32GF473K
R-1301-02-03	22-16	5905-295-3410	RC20GF473K
R-1305	22-17	5905-195-5514	RC20GF152K
R-1306	22-16	5905-295-3410	RC20GF473K
R-1307	22-12	5905-192-3787	RC20GF104K
R-1308	22-13	5905-249-4248	RC20GF332K
R-1309	22-12	5905-192-3787	RC20GF104K

Section IV  
Reference Designation Index

T.O. 12R2-4-6-4

REFERENCE DESIGNATION	FIGURE & INDEX NO.	CLASS CODE OR STOCK NO.	PART NO.
R-1310	22-11	5905-279-1714	RC20GF224K
R-1311	22-13	5905-279-2286	RC42GF821K
R-1312	22-7	5905-279-2515	RC20GF474K
R-1401	19-20	5905-192-3971	RC20BF331K
R-1401	19-20	5905-279-2645	RC32GF331K
R-1402	19-10		RC20GF820K
R-1403	20-5	5905-258-6824	380-5259-00
R-1404	20-6	5905-295-6374	380-5266-00
R-1405	20-11	5905-279-1756	RC20GF151K
R-1406	19-15	5905-190-8865	RC20GF274K
R-1407-08	20-12	5905-192-3988	RC20GF563K
R-1409	20-14	5905-295-3409	RC20GF224K
R-1410	21-10	5905-185-6946	RC20GF474K
R-1411	20-10	5905-254-7097	RC20GF823K
R-1412	20-2	5905-195-6817	RC20GF102K
R-1413	19-15	5905-190-8865	RC20GF274K
R-1414	20-14	5905-295-3409	RC20GF224K
R-1415	20-2	5905-195-6817	RC20GF102K
R-1416	19-16	5905-279-2517	RC20GF394K
R-1416	19-16	5905-190-8865	RC20GF274K
R-1416	19-16	5905-279-2517	RC20BF394K
R-1417	20-1	5905-249-4248	RC20GF333K
R-1418-19-20-21	19-18	5905-190-8882	RC20GF393K
R-1422	19-14	5905-192-3979	RC42GF333K
R-1423	20-3	5905-251-7750	RC42GF120K
R-1501	18-21	5905-279-3883	RC20GF100K
R-1502	18-23	5905-173-9876	747-9433-00
R-1503	17-242	5905-643-6057	RN20X1000F
R-1504	17-242	5905-643-6057	RN20X1000F
R-1505	17-241	5905-258-0510	RN20X2212F
R-1506	17-241	5905-258-0510	RN20X2212F
R-1507	17-243	5905-171-2002	RC20GF470K
R-1508	17-88	5905-279-1719	RC32GF103K
R-1509	17-85	5905-537-6437	RC20GF272K
R-1510 thru R-1517	17-83	5905-249-4248	RC20GF333K
R-1518	18-13	5905-502-8073	RW30G800
R-1519	17-239	5905-192-3987	RC20GF104K
R-1520	17-240	5905-295-3409	RC20GF224K
R-1521	17-88	5905-279-1719	RC32GF103K
R-1522	18-26	5905-173-6579	747-9399-00
R-1523	17-89	5905-195-6451	RC20GF472K
R-1524	17-244	5905-195-6809	RC20GF122K
R-1524	17-244	5905-195-5514	RC20GF152K
R-1524	17-244	5905-279-2672	RC20GF182K
R-1524	17-244	5905-171-2009	RC20GF222K
R-1524	17-244	5905-537-6437	RC20GF272K
R-1524	17-244	5905-195-6502	RC20GF332K
R-1524	17-244	5905-185-6575	RC20GF392K
R-1524	17-244	5905-192-4408	RC20GF562K
R-1524	17-244	5905-171-1985	RC20GF822K
R-1601	62-33	5905-100-4002	RW30G5R0
R-1602	62-22	5905-254-7096	RC42BE823K
R-1603	62-8	5905-279-1734	RC32GF330K
R-1604-05	62-4	5905-173-6576	747-9397-00
R-1606	62-7	5905-279-1721	RC32GF392K
R-1607	62-9		RC30BF153K
R-1607	62-9	5905-279-3837	RC32GF272K

REFERENCE DESIGNATION	FIGURE & INDEX NO.	CLASS CODE OR STOCK NO.	PART NO.
R-1607	62-9	5905-537-6462	RC32GF562K
R-1607	62-9	5905-299-2059	RC32GF332K
R-1608	62-11	5905-502-2084	380-5255-00
R-1608	62-11	5905-174-8258	380-5257-00
R-1609	62-10		RC30BF223K
R-1609	62-10	5905-299-2026	RC32GF163J
R-1609	62-10	5905-299-2023	RC32GF183K
R-2601	60-90	5905-258-3728	380-0891-00
R-2602	60-56	5905-295-6143	380-6883-00
R-2603	60-53	5905-295-3489	380-6885-00
R-2604-05	60-50	5905-295-4568	380-6886-00
R-2606-07	60-38	5905-299-1965	RC20GF301J
S-101	7-11	5930-090-1226	57090-F1
S-102	5-52	5930-549-0262	57419-F
S-401	10-26	5930-549-0255	55978-MF
S-402	10-29	5930-296-7098	55910-H
S-403	10-179	5930-549-0261	55909-H
S-404	10-165	5930-548-5621	53453-MF
S-405	10-163	5930-549-0257	55976-MF
S-406	10-165	5930-548-5621	53453-MF
S-407	10-163	5930-549-0257	55976-MF
S-408	10-165	5930-548-5621	53453-MF
S-409	10-163	5930-549-0257	55976-MF
S-410	10-165	5930-548-5621	53453-MF
S-411	10-163	5930-549-0257	55976-MF
S-412	10-165	5930-548-5621	53453-MF
S-413	10-163	5930-549-0257	55976-MF
S-414	10-165	5930-548-5621	53453-MF
S-415	10-163	5930-549-0257	55976-MF
S-416	10-153	5930-202-0826	55977-MF
S-1001-02	29-18	5930-296-7114	57420-FX
S-1003-04-05-06	29-41	5930-296-7114	57420-FX
S-1007	29-32	5930-549-0263	57421-F
S-1501-02	17-135	5930-549-0254	PS234-001
S-1503	17-253	5930-549-0269	57424-FC
S-1504A	17-148	5821-503-7756	506-7382-002
S-1504A	17-158		542-5471-002
S-1504B	17-159	5821-504-5665	506-7387-002
S-1505	17-208	5930-549-0260	57425-MF
S-1506	17-216	5930-549-0268	57422-F
S-1601	61-3	5925-175-5197	PM-40
S-1602	61-4	5925-109-2192	SK-7851
S-2601	60-80	5930-549-0258	269-1635-00
S-2602	60-65	5930-549-0259	269-1652-00
S-2603	60-86	5930-548-5214	61448-F2
T-301	56-11	5950-645-5348	677-0537-00
T-301	56-11	5950-645-9048	25220-A
T-601	11-30	5950-645-8966	19059
T-1001	29-79	5950-646-4069	506-6987-003
T-1001	37-	5950-646-4069	506-6987-003
T-1301	22-6	5950-518-3148	15849A
T-1601	62-43	5950-090-0211	16218
T-1601	62-43		26088
TB-101	7-7	5940-552-3642	1180
TB-601	11-21	6625-564-9562	506-6126-003
TB-901	14-13		506-6903-003
TB-902	15-16	6625-552-2051	506-6905-003

Section IV  
Reference Designation Index

T.O. 12R2-4-6-4

REFERENCE DESIGNATION	FIGURE & INDEX NO.	CLASS CODE OR STOCK NO.	PART NO.
TB-1001	28-12	5821-553-9338	506-6921-002
TB-1002	28-26	5940-204-8298	1180
TB-1003	26-5	5821-553-2746	506-6922-002
TB-1004	26-22	5821-553-2747	506-6923-002
TB-1005	28-26	5940-204-8298	1180
TB-1301	22-21	5821-578-4119	506-6107-003
TB-1401	19-21	5821-553-9336	506-6670-003
TB-1402	21-11	5821-553-2745	506-6672-003
TB-1501	17-80		506-7440-004
TB-1502	17-236		506-7434-003
TB-1601	62-13	6125-553-2771	506-6869-003
TB-1801	59-12	5915-721-4865	506-7519-003
V-401	10-10	5960-230-5235	5654
V-601	11-28	5960-669-6862	5751
V-602	11-27	5960-509-3049	5686
V-801	12-3	5960-188-3564	0A2
V-901-02-03	13-4	5960-509-3053	5749
V-904-05	13-5	5960-553-6065	5726
V-1001	27-3	5960-230-5235	5654
V-1002	27-5	5960-509-3053	5749
V-1003-04-05-06	27-4	5960-166-7658	5750
V-1007	27-3	5960-230-5235	5654
V-1008-09	25-5	5960-509-3053	5749
V-1010-11	25-2	5960-509-3049	5686
V-1201-02	23-3	5960-509-3053	5749
V-1301	22-2	5960-508-1017	5814A
V-1302	22-3	5960-509-3049	5686
V-1401	19-3	5960-669-6862	5751
V-1402	19-7	5960-553-6065	5726
V-1403	19-4	5960-508-1017	5814A
V-1404-05	21-1	5960-038-2906	6159
V-1501-02-03	17-1	5960-038-2906	6159
XC-1601-02	62-21	5935-539-5758	88-8TM
XC-1608	62-21	5935-539-5758	88-8TM
XF-1601	61-2	5920-503-0863	HKP-HJR
XF-1602	61-6	5920-503-0863	HKP-HJR
XF-1603	61-2	5920-503-0863	HKP-HJR
XF-1604	61-6	5920-503-0863	HKP-HJR
XG-601	11-34	5935-501-5744	TS102P01
XHR-1203	23-21	5935-539-5758	88-8TM
XI-2601-02-03	60-94	6250-299-7271	262-0348-00
XK-1604	62-18	5935-539-5758	88-8TM
XV-401	10-54	5935-501-5744	TS102P01
XV-601-02	11-29	5935-160-1365	TS103P01
XV-801	12-4	5935-501-5744	TS102P01
XV-901-02-03-04-05	13-6	5935-501-5744	TS102P01
XV-1001 thru	27-6	5935-501-5744	TS102P01
XV-1007			
XV-1008-09	25-6	5935-501-5744	TS102P01
XV-1010-11	25-3	5935-160-1365	TS103P01
XV-1201-02	23-20	5935-501-5744	TS102P01
XV-1301-02	22-9	5935-160-1365	TS103P01
XV-1401	19-5	5935-160-1365	TS103P01
XV-1402	19-8	5935-501-5744	TS102P01
XV-1403	19-5	5935-160-1365	TS103P01
XV-1404-05	21-13	5935-539-5758	88-8TM
XV-1501	18-34	5935-539-5758	88-8TM

REFERENCE DESIGNATION	FIGURE & INDEX NO.	CLASS CODE OR STOCK NO.	PART NO.
XV-1502	18-34	5935-539-5758	88-8TM
XV-1503	18-34	5935-539-5758	88-8TM
Y-1203	23-11		290-1599-00
Z-901	13-9	5950-646-4016	506-6910-003
Z-901	16-	5950-646-4016	506-6910-003
Z-902	13-9	5950-646-4016	506-6910-003
Z-902	16-	5950-646-4016	506-6910-003
Z-1001	29-81	5915-560-5943	506-7033-004
Z-1001	39-	5915-560-5943	506-7033-004
Z-1002	29-80	5950-646-4070	506-6988-003
Z-1002	38-	5950-646-4070	506-6988-003
Z-1003	29-78	5950-648-6681	506-6989-003
Z-1003	36-	5950-648-6681	506-6989-003
Z-1004	29-76	5950-648-6895	506-6990-003
Z-1004	34-	5950-648-6895	506-6990-003
Z-1005	29-74	5950-648-6897	506-6991-003
Z-1005	32-	5950-648-6897	506-6991-003
Z-1006	29-75	5950-512-7970	506-6992-003
Z-1006	33-	5950-512-7970	506-6992-003
Z-1007	29-77	5950-512-7971	506-6993-003
Z-1007	35-	5950-512-7971	506-6993-003
Z-1008	29-73	5950-512-7972	506-6994-003
Z-1008	31-	5950-512-7972	506-6994-003
Z-1009	29-72	5950-512-7973	506-6995-003
Z-1009	30-	5950-512-7973	506-6995-003
Z-1010	29-87	5950-512-7974	506-6996-003
Z-1010	45-	5950-512-7974	506-6996-003
Z-1011	29-85	5950-512-7975	506-6997-003
Z-1011	43-	5950-512-7975	506-6997-003
Z-1012	29-82	5950-512-7976	506-6998-003
Z-1012	40-	5950-512-7976	506-6998-003
Z-1013	29-84	5950-646-4077	506-6999-003
Z-1013	42-	5950-646-4077	506-6999-003
Z-1014	29-89	5950-512-7978	506-7000-003
Z-1014	47-	5950-512-7978	506-7000-003
Z-1015	29-88	5950-512-7979	506-7001-003
Z-1015	46-	5950-512-7979	507-7001-003
Z-1016	29-83	5950-512-7980	506-7002-003
Z-1016	41-	5950-512-7980	506-7002-003
Z-1017	29-86	5950-512-7981	506-7003-003
Z-1017	44-	5950-512-7981	506-7003-003
Z-1018	29-96	5950-512-7982	506-7004-003
Z-1018	54-	5950-512-7982	506-7004-003
Z-1019	29-94	5950-512-7983	506-7005-003
Z-1019	52-	5950-512-7983	506-7005-003
Z-1020	29-90	5950-512-7984	506-7006-003
Z-1020	48-	5950-512-7984	506-7006-003
Z-1021	29-92	5950-512-7985	506-7007-003
Z-1021	50-	5950-512-7985	506-7007-003
Z-1022	29-97	5950-512-7986	506-7008-003
Z-1022	55-	5950-512-7986	506-7008-003
Z-1023	29-95	5950-512-7987	506-7009-003
Z-1023	53-	5950-512-7987	506-7009-003
Z-1024	29-91	5950-512-7988	506-7010-003
Z-1024	49-	5950-512-7988	506-7010-003
Z-1025	29-93	5950-512-7989	506-7011-003
Z-1025	51-	5950-512-7989	506-7011-003